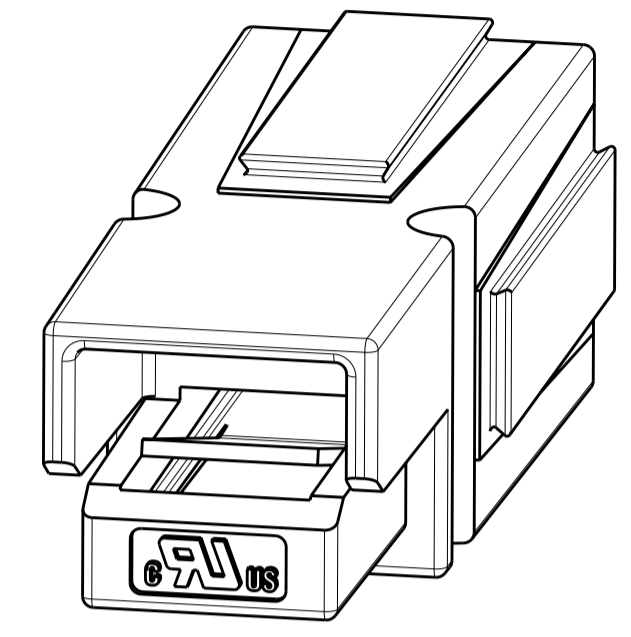
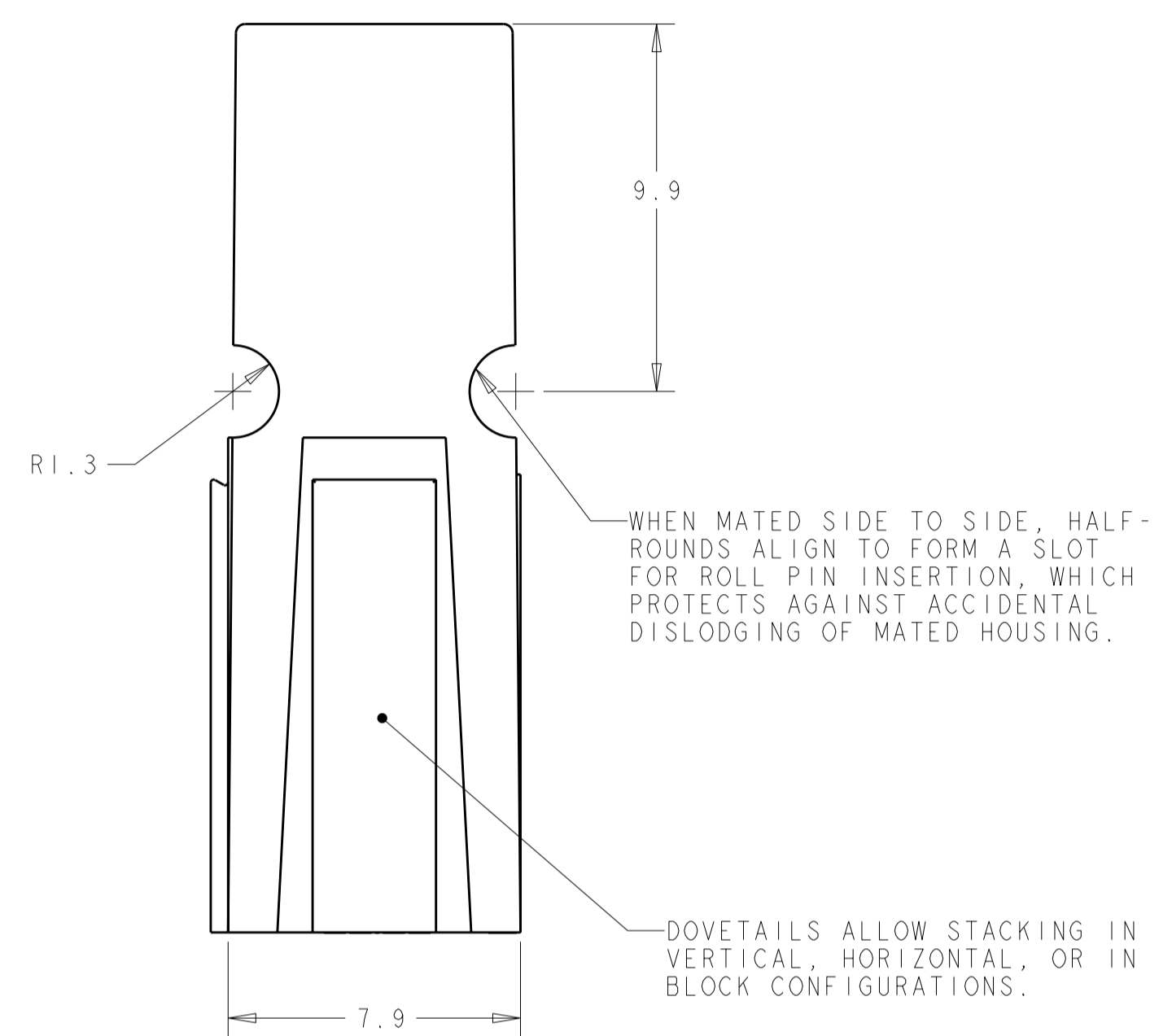
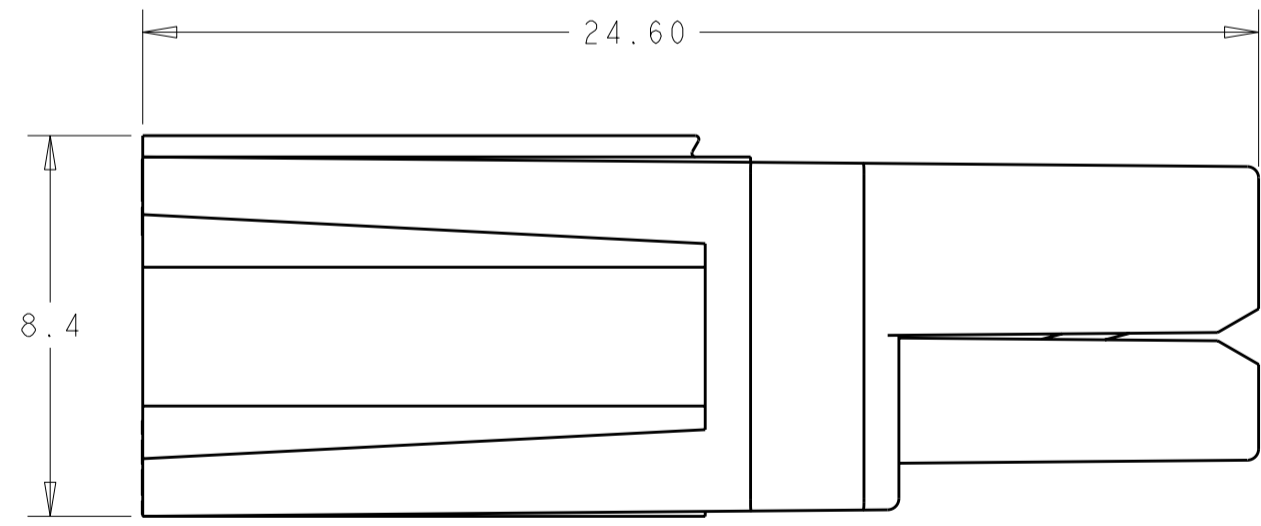
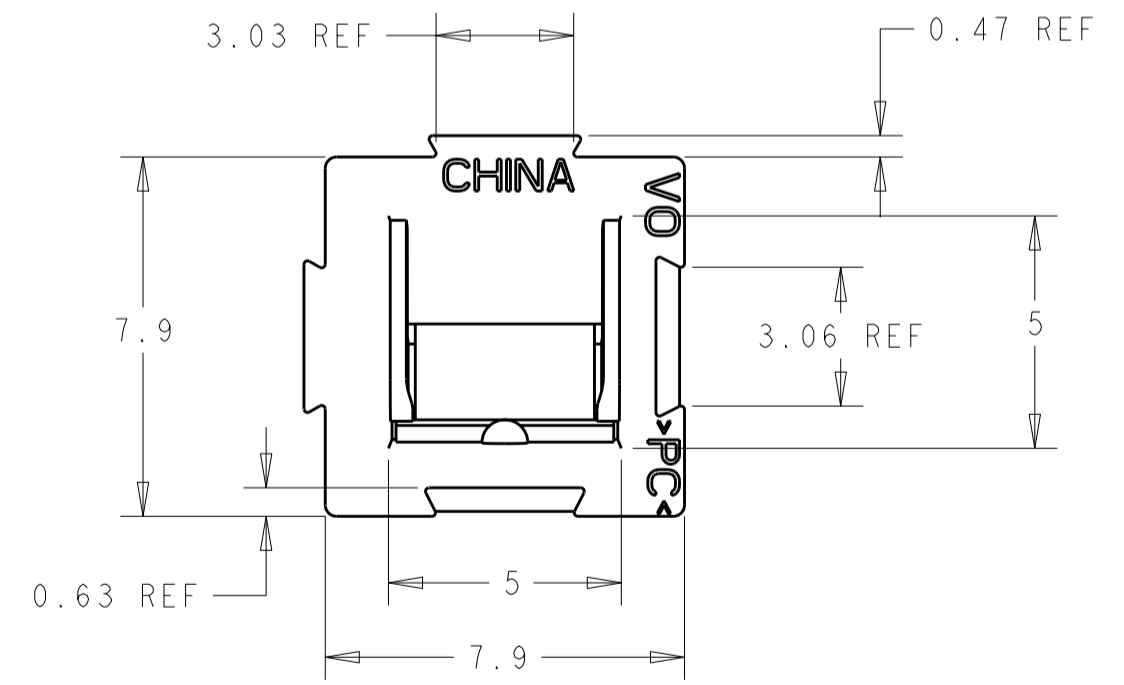


THIS DRAWING IS UNPUBLISHED. RELEASED FOR PUBLICATION 20  
 © COPYRIGHT 20 BY - ALL RIGHTS RESERVED.

| LOC |     | DIST                      |           | REVISIONS |      |  |  |
|-----|-----|---------------------------|-----------|-----------|------|--|--|
| P   | LTR | DESCRIPTION               | DATE      | DWN       | APVD |  |  |
|     | C   | REVISED PER ECO-11-019283 | 17OCT2011 | KH        | DY   |  |  |
|     |     |                           |           |           |      |  |  |



1. SPRING/HOUSING ASSEMBLIES ARE UL AND CSA RECOGNIZED PER FILE TBD.
2. THESE HOUSING ASSEMBLIES ACCOMMODATE TE CONNECTIVITY CONTACTS FOR WIRE RANGES FROM #20 AWG TO #10 AWG.
3. HOUSING: POLYCARBONATE, UL94V0.  
SPRING: STAINLESS STEEL.



| OBSOLETE | COLOR  | PART NUMBER |
|----------|--------|-------------|
|          | BROWN  | 1445957-9   |
|          | GRAY   | 1445957-8   |
|          | ORANGE | 1445957-7   |
|          | YELLOW | 1445957-6   |
|          | RED    | 1445957-5   |
|          | GREEN  | 1445957-4   |
|          | WHITE  | 1445957-3   |
|          | BLACK  | 1445957-2   |
|          | BLUE   | 1445957-1   |
|          | COLOR  | PART NUMBER |

THIS PRODUCT HAS PASSED VERIFICATION AND AGENCY APPROVALS TESTING AND IS COMPONENT RECOGNIZED PER UL 1977 AND CSA 22.2. TE CONNECTIVITY PRODUCT QUALIFICATION TESTING IS NOT YET COMPLETE.

|  |  |                                   |   |  |
|--|--|-----------------------------------|---|--|
| THIS DRAWING IS A CONTROLLED DOCUMENT.   |  | DWN<br>B. HAYMAKER<br>06NOV01     | TE Connectivity                                       |  |
| DIMENSIONS:<br>mm  |  | CHK<br>K. KETELSIEGER<br>25JAN02  |   |  |
| TOLERANCES UNLESS OTHERWISE SPECIFIED:   |  | APVD<br>K. KETELSIEGER<br>25JAN02 | NAME<br>ASSEMBLY, 15/30/45A SINGLE POLE POWER PRODUCT |  |
| 0 PLC ±0.13<br>1 PLC ±0.13<br>2 PLC ±0.13<br>3 PLC ±<br>4 PLC ±<br>ANGLES ±1<br>FINISH |  | PRODUCT SPEC<br>-                 | SIZE<br>A200779                                       |  |
| MATERIAL<br>-  |  | APPLICATION SPEC<br>-             | DRAWING NO<br>C-1445957                               |  |
|  |  | WEIGHT<br>-                       | RESTRICTED TO<br>-                                    |  |
|  |  | CUSTOMER DRAWING                  | SCALE 6:1 SHEET 1 OF 1 REV C                          |  |

## X-ON Electronics

Largest Supplier of Electrical and Electronic Components

*Click to view similar products for [Power to the Board](#) category:*

*Click to view products by [TE Connectivity](#) manufacturer:*

Other Similar products are found below :

[6450171-4](#) [6450552-7](#) [6600323-8](#) [6643429-1](#) [6646040-2](#) [6651939-1](#) [6766604-1](#) [120959-1](#) [1393557-2](#) [1393532-2](#) [1393532-3](#) [1393532-4](#)  
[1393557-1](#) [1600812-5](#) [1-6450861-2](#) [1744132-7](#) [1761122-1](#) [1766250-1](#) [1892109-1](#) [2-6450860-5](#) [2-6450870-0](#) [1-6450161-4](#) [1-6450850-6](#) [1-](#)  
[6450869-6](#) [1645526-2](#) [1-6600130-0](#) [2005243-2](#) [377-0020-11130](#) [TE34-12-16P-F0](#) [51700-10201602AALF](#) [5-6450830-6](#) [5646956-4](#) [377-](#)  
[0080-11131A](#) [4-6450830-9](#) [4-6600333-3](#) [10125416-4050LF](#) [10130248-005LF](#) [6600320-3](#) [3-6450860-5](#) [1888123-2](#) [6450166-1](#) [6643978-1](#)  
[6766605-1](#) [701-15-02109](#) [N11444](#) [6651938-1](#) [6450810-7](#) [46437-1112](#) [1-1589677-8](#) [5646956-5](#)