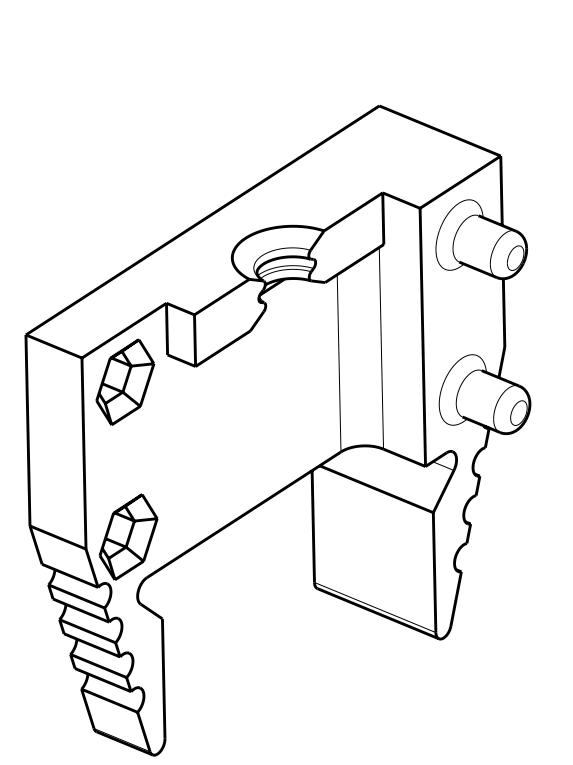
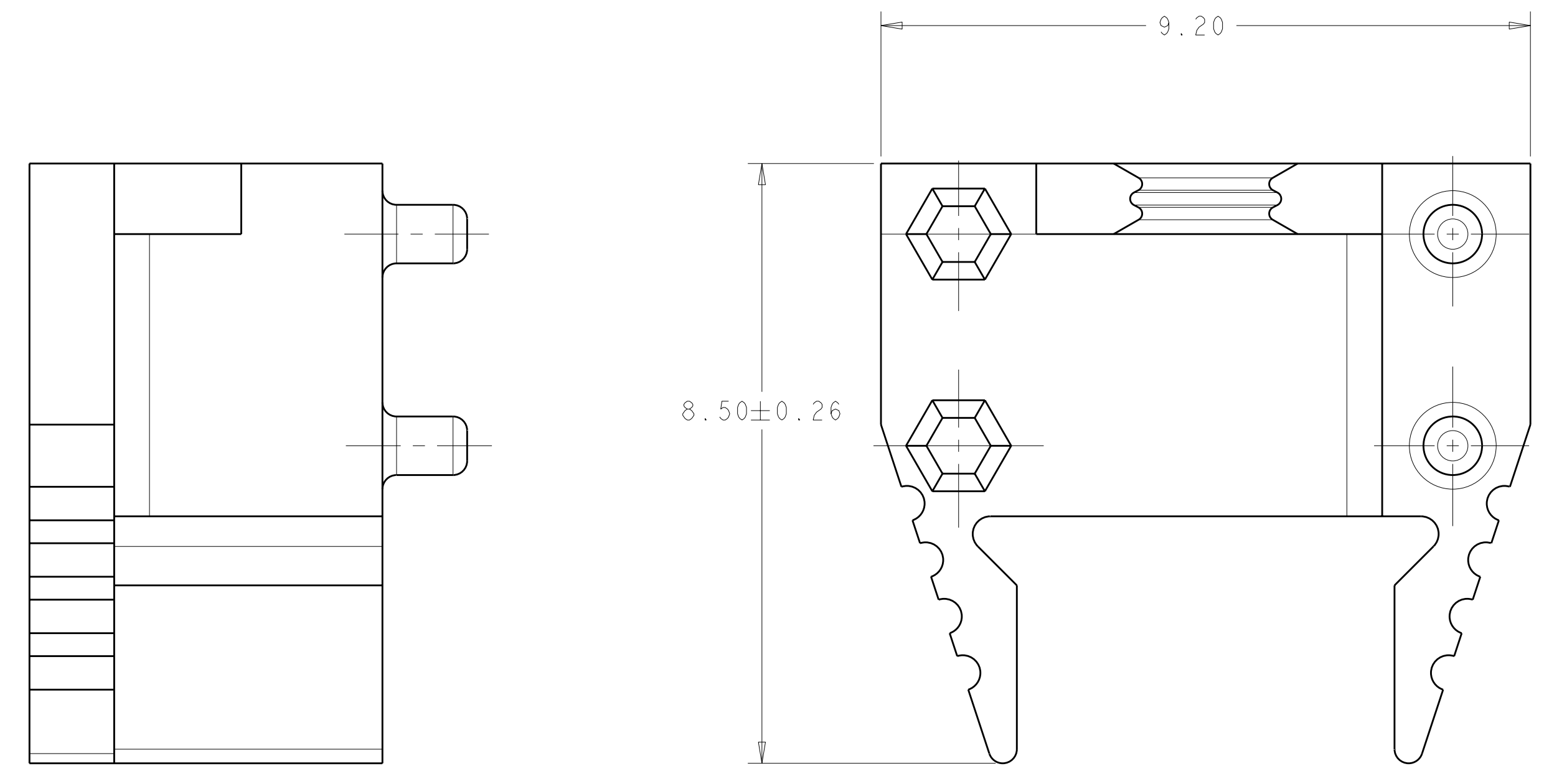
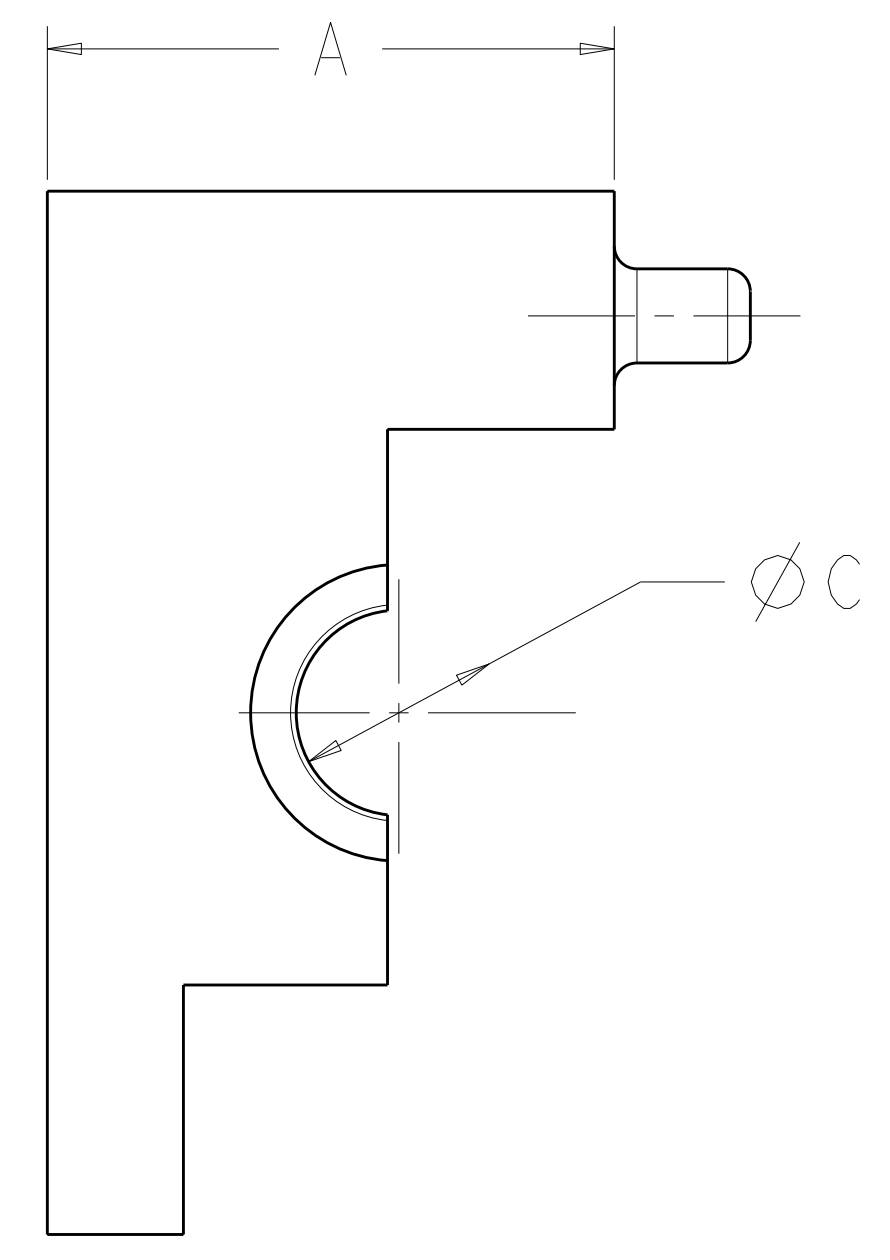
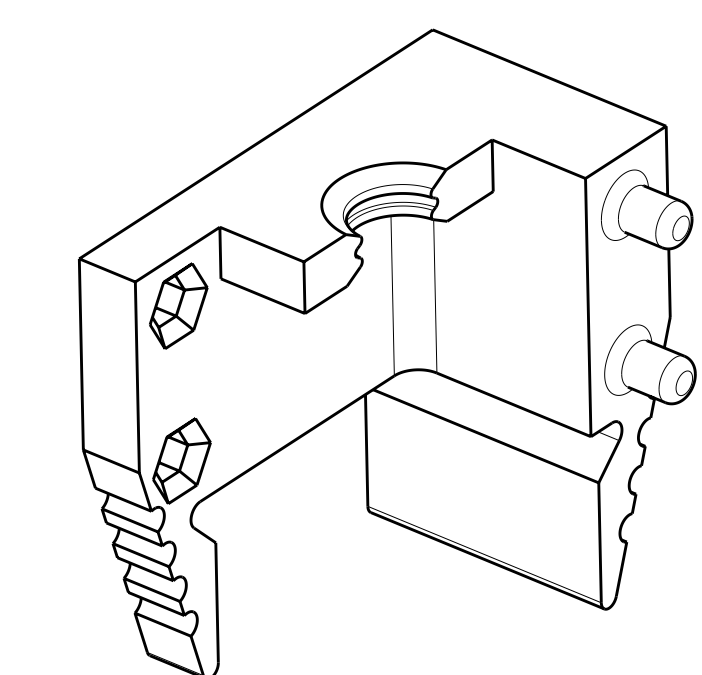


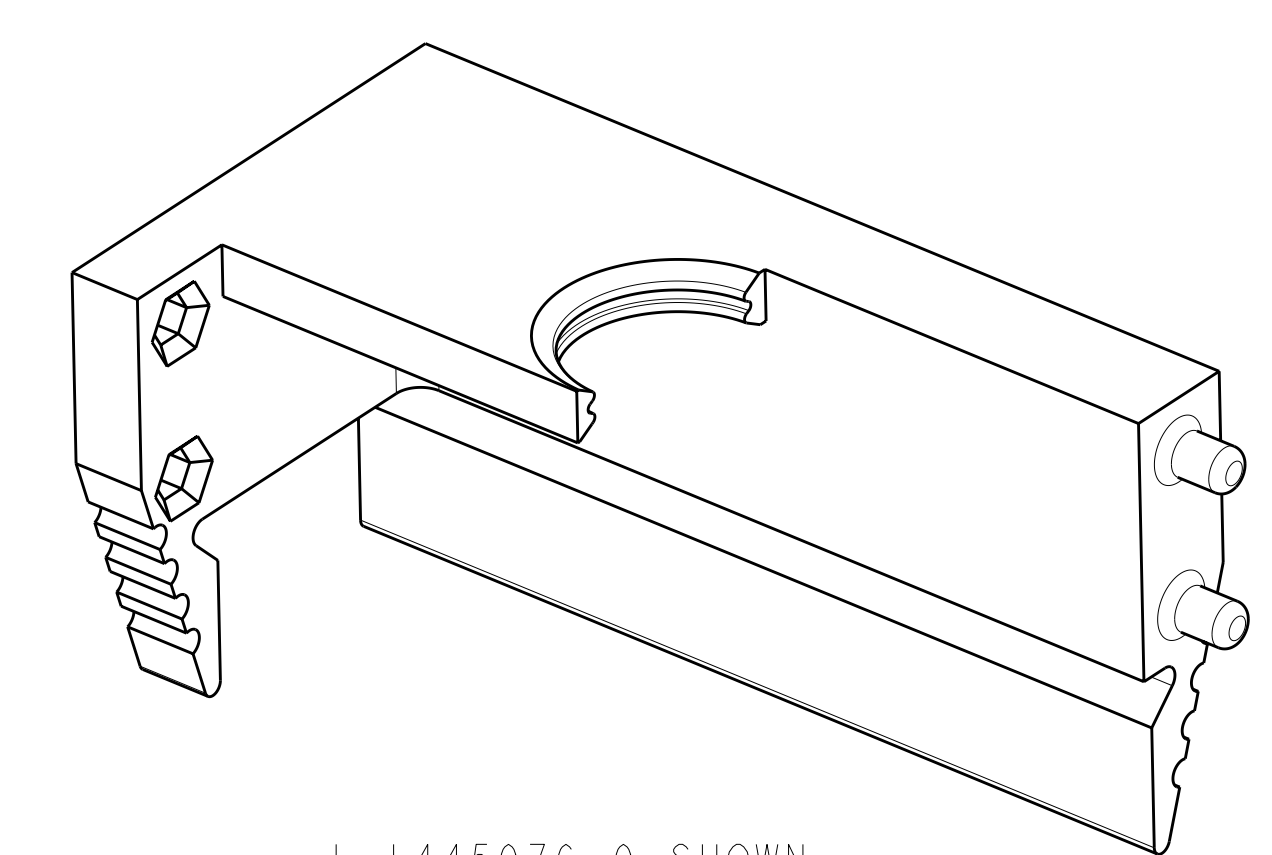
- 1. UL 94V-0 RATED LCP.
- 2. TWO PIECES REQUIRED PER CONNECTOR ASSEMBLY.
- 3. BULK PACKAGED.
- 4. OBSOLETE PARTS: OBSOLETE CIS STREAMLINING PER D.RENAUD/D.SINISI



1445976-1 SHOWN  
SCALE 8:1



1445976-4 SHOWN  
SCALE 8:1



1-1445976-9 SHOWN  
SCALE 8:1

REV	DATE	DESCRIPTION	DATE	DWN	APVD
2	9.20	WAS 9.00, REV TABLE, REV SHT TOL	18NOV2002	RLK	LB
3		CHANGE TABLE DIMENSIONS A	19MAR03	WGL	LB
0		REV PER 0G3C-0616-03	02DEC03	RB	DR
01		REVISED PER ECO-09-025699	08DEC2009	KK	AEQ

	C	A	NO. OF POS.	PART NUMBER
OBSOLETE 4	3.90	17.00	40	1-1445976-9
	3.80	16.20	38	1-1445976-8
	3.70	15.40	36	1-1445976-7
	3.60	14.60	34	1-1445976-6
	3.50	13.80	32	1-1445976-5
	3.40	13.00	30	1-1445976-4
	3.30	12.20	28	1-1445976-3
OBSOLETE 4	3.20	11.40	26	1-1445976-2
	3.10	10.60	24	1-1445976-1
	3.00	9.80	22	1-1445976-0
	2.91	9.00	20	1445976-9
	2.69	8.20	18	1445976-8
	2.47	7.40	16	1445976-7
	2.25	6.60	14	1445976-6
OBSOLETE 4	2.03	5.80	12	1445976-5
	1.81	5.00	10	1445976-4
	1.59	4.20	8	1445976-3
	1.37	3.40	6	1445976-2
	1.15	2.60	4	1445976-1

DIMENSIONS: mm 		TOLERANCES UNLESS OTHERWISE SPECIFIED: 9 PLC ± 1 PLC ±0.08 2 PLC ± 3 PLC ± 4 PLC ± ANGLES ±1		DWN: D. FABIAN 06AUG2002 CHK: L. BREKOSKY 05DEC2002 APVD: - NAME: - PRODUCT SPEC: - APPLICATION SPEC: 114-13051 WEIGHT: - CUSTOMER DRAWING		Tyco Electronics Corporation Harrisburg, PA 17105-3608 AMPMODU MICRO INTERCONNECT HERMAPHRODITIC STRAIN RELIEF SIZE: A11 CAGE CODE: 00779 DRAWING NO: C=1445976 SCALE: 15:1 SHEET: 1 OF 1 REV: 01	
-----------------------	--	--	--	---	--	--	--

## X-ON Electronics

Largest Supplier of Electrical and Electronic Components

*Click to view similar products for [Headers & Wire Housings](#) category:*

*Click to view products by [TE Connectivity](#) manufacturer:*

Other Similar products are found below :

[892-18-020-10-001101](#) [58102-G61-06LF](#) [582553-1](#) [0009485154](#) [009176003701906](#) [0050291907](#) [LY20-4P-DT1-P1E-BR](#) [02.125.8002.8](#)  
[609-3404](#) [61062-3](#) [61082-181009](#) [622-3653LF](#) [63453-116](#) [636-1030](#) [636-1427](#) [636-3427](#) [636-4007](#) [641938-9](#) [641991-4](#) [644827-2](#) [65817-010LF](#) [65817-015LF](#) [65863-015LF](#) [66207-023LF](#) [67095-007LF](#) [67601157](#) [68645-018](#) [68648-049](#) [70.362.1628.0](#) [70-4210](#) [70-4226B](#) [70-4853B](#) [707-5020](#) [707-5028](#) [71.350.2428.0](#) [71918-208LF](#) [71961-016LF](#) [733-134](#) [733-162](#) [754199-000](#) [760-3052](#) [787-8014-00](#) [79531-3000](#)  
[FCN-360C032-B](#) [FCN-367T-T012/H](#) [FCN-723D010/2](#) [80.063.4001.1](#) [800-90-001-10-001000](#) [800-90-010-10-002000](#) [801-43-002-10-013000](#)