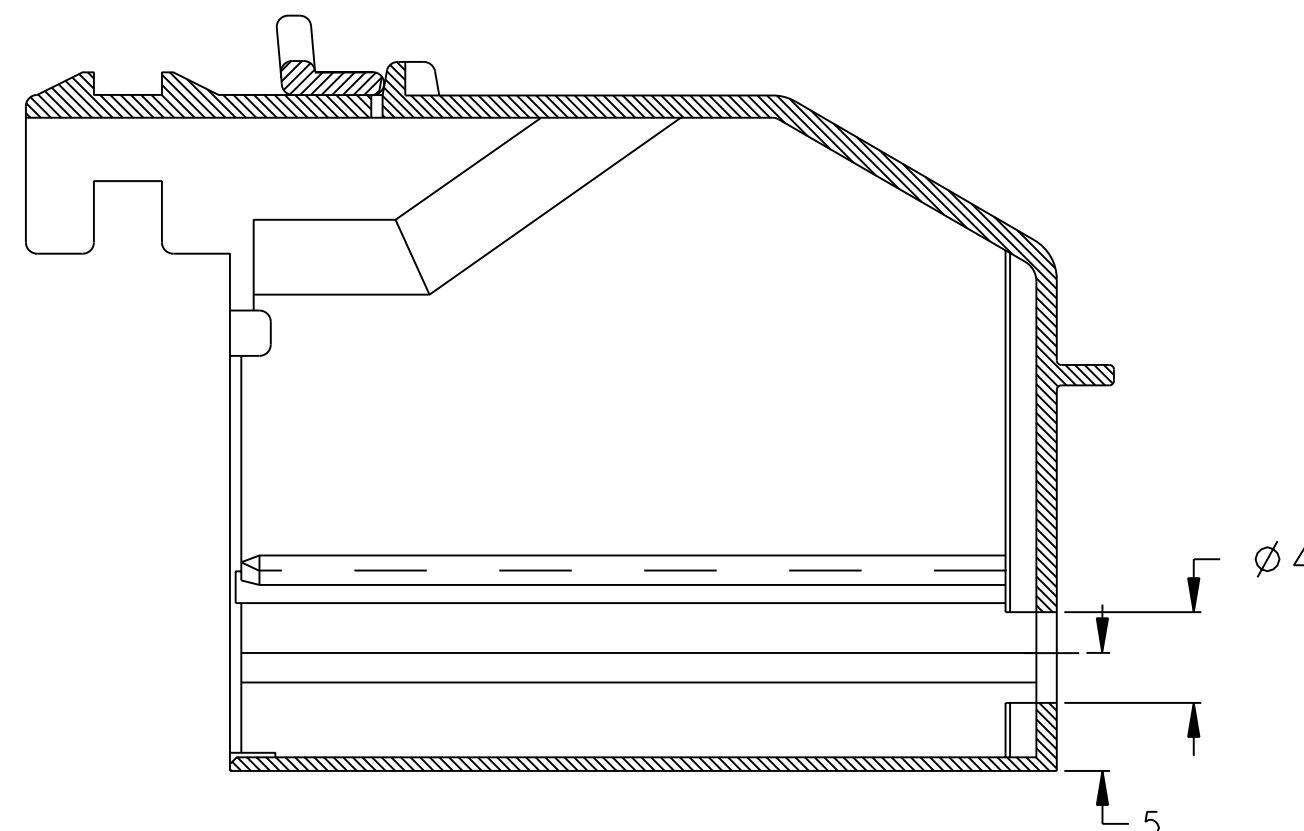
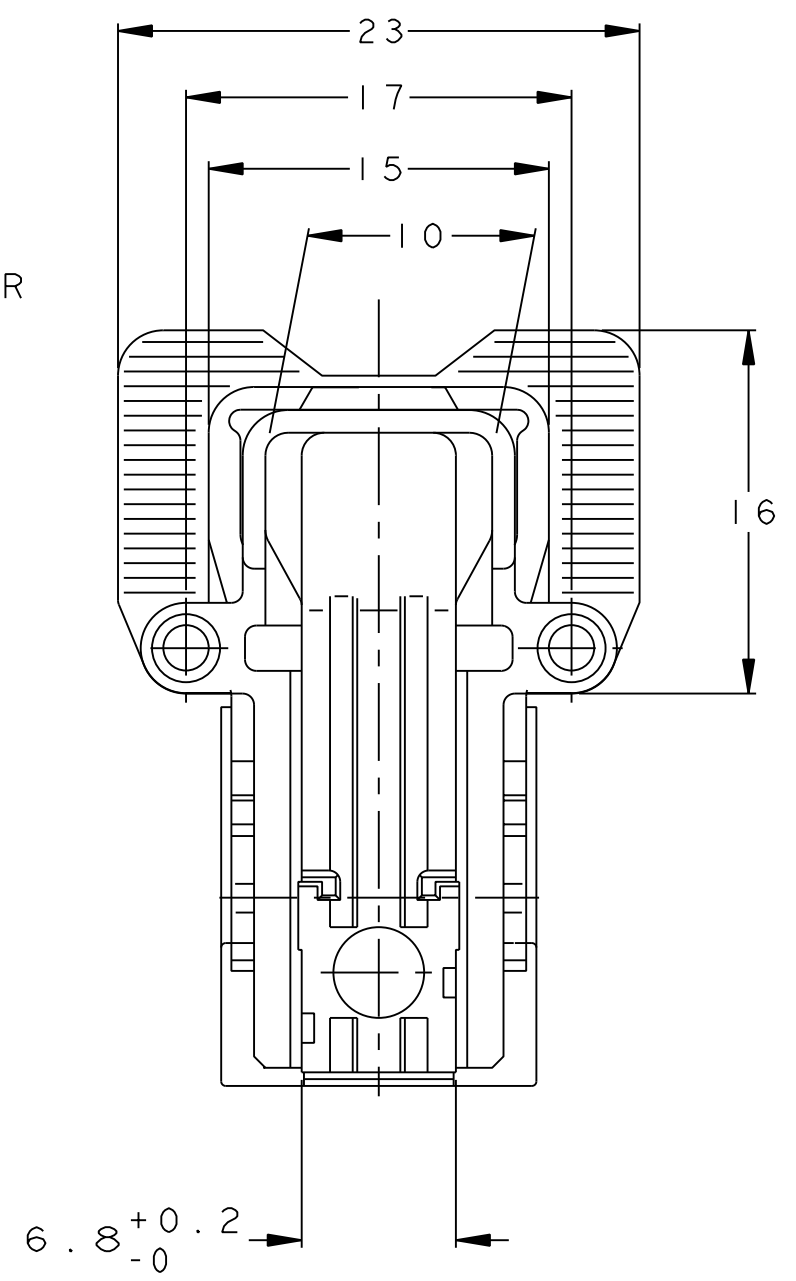
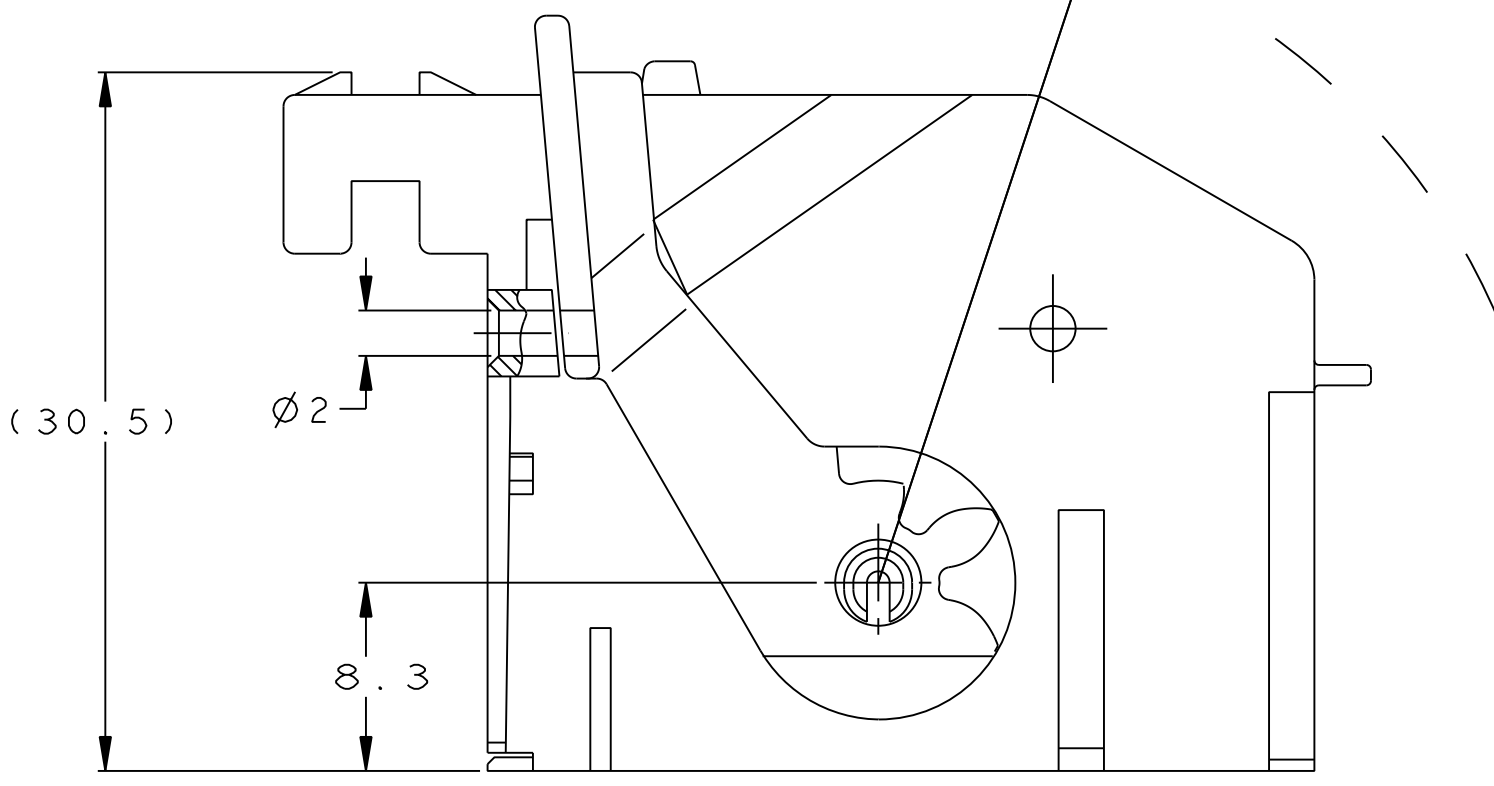


LOC	DIST	REVISIONS				
F	00	REV	DESCRIPTION	DATE	DWN. DES.	APVD. APP.
		A	MISE A JOUR	08SEP1994	DE	-
		B	MISE A JOUR	08NOV1994	DE	-
		C	MODIFICATION PLOT DE VERROUILLAGE LEVIER	26MAY1998	MP	JL
		D	MISE A JOUR	08NOV2010	EC	XR

SECTION / COUPE A-A

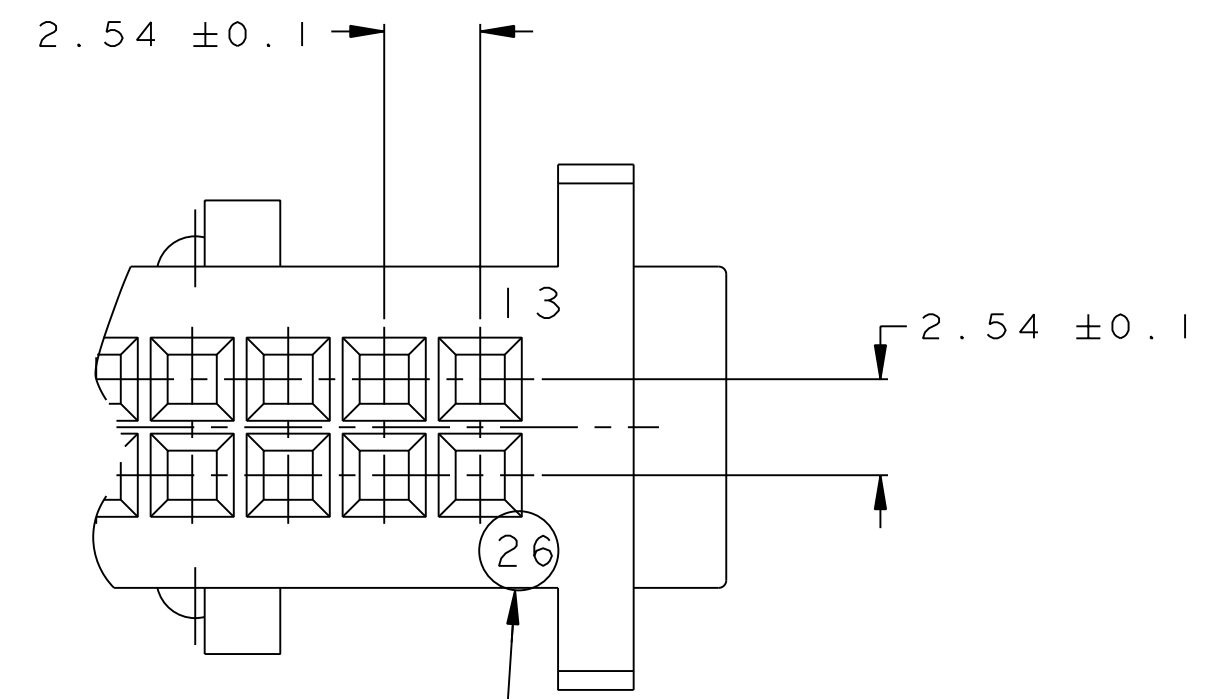


R 29.8 MAX
LEVER OVERALL DIMENSION
ENCOMBREMENT DU LEVIER

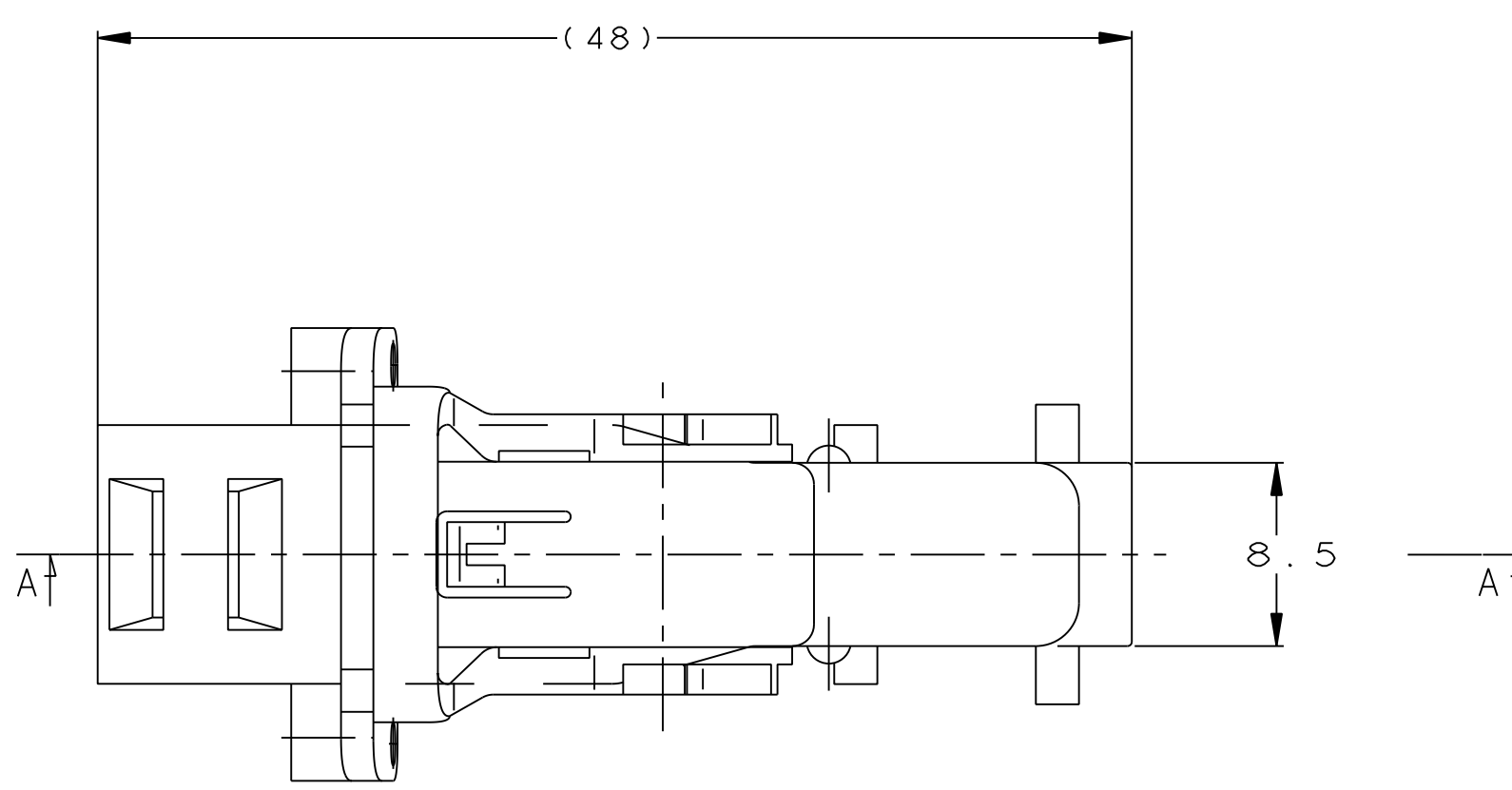


VIEW / VUE X

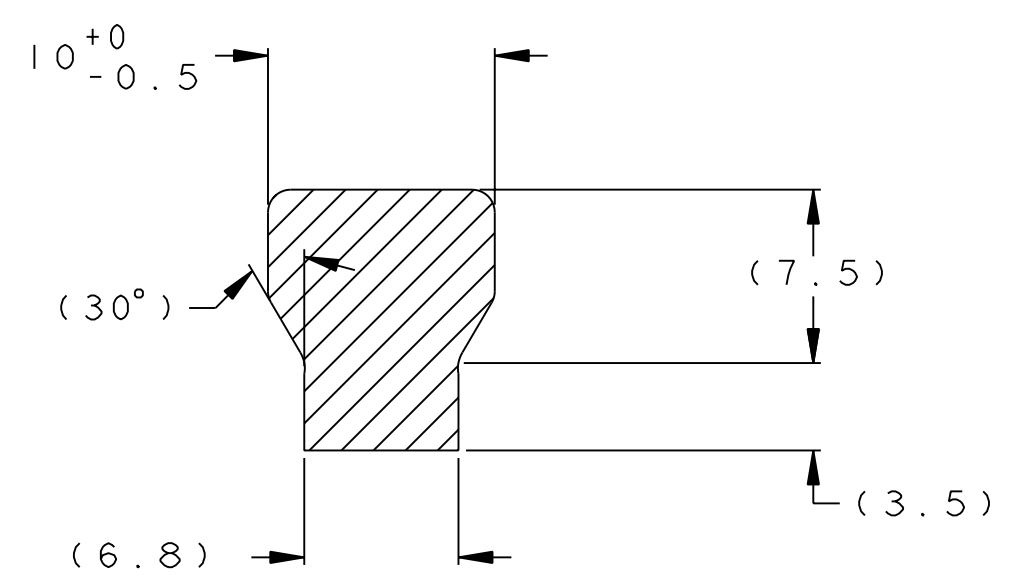
VIEW / VUE X
SCALE / ECHELLE 5:1



CIRCUIT CAVITY MARKING
MARQUAGE DES VOIES



HARNESS OUTPUT AREA
ZONE DE SORTIE DU TORON



	144934-2	BLUE
	144934-1	JAUNE
KEYING DETROMPAGE	TE PART NUMBER REF PRODUIT TE	COLOR COULEUR

144934-1 AS SHOWN / REPRESENTE

<small>THIS DRAWING IS UNPUBLISHED. IT IS SUBJECT TO CHANGE WITHOUT NOTICE AND IS NOT TO BE REPRODUCED OR TRANSMITTED IN ANY FORM OR BY ANY MEANS, ELECTRONIC OR MECHANICAL, INCLUDING PHOTOCOPYING, RECORDING, OR BY ANY INFORMATION STORAGE AND RETRIEVAL SYSTEM. ALL RIGHTS RESERVED.</small>		DWN/DESINE D. ELISEI 10NOV1993	Tyco Electronics France SAS 95300 Pontoise, France
<small>TOLEANCES, UNLESS OTHERWISE SPECIFIED:</small> DIMENSIONS: mm TOLERANCES: UNLESS OTHERWISE SPECIFIED: DIMENSIONS: mm FRACTIONS: 1/16"		CHK/VERIFIE M. POLIFONTE 10JUN1998	NAME/TITRE ASSEMBLY-SHIELD FOR MQS-26 POS ASSEMBLAGE PORTE-CLIPS MQS 26 VOIES
MATERIAL MATERIE PBT-GE20 PBT 20% FV		APVD/APPROUVE J.J. DE VILL 10JUN1998	SIZE A1
FINISH -		WEIGHT MASSE APPROX. -	CUSTOMER DRAW ING /PLAN CLIENT
SCALE ECHELLE 3:1		SHEET FEUILLE 1 OF 1	REV D

X-ON Electronics

Largest Supplier of Electrical and Electronic Components

Click to view similar products for [Automotive Connectors](#) category:

Click to view products by [TE Connectivity](#) manufacturer:

Other Similar products are found below :

[003-018-000](#) [60403001](#) [60993906-B](#) [M902-2131](#) [M902-2161](#) [72.330.1035.1](#) [73.353.4028.0](#) [F119300-B](#) [F166900](#) [F258300-B](#) [F358300-B](#)
[F407400](#) [F444110](#) [F487000](#) [F509500B-B](#) [827153-1](#) [8N1515-32-24P](#) [9-1326729-8](#) [925474-1](#) [928905-1](#) [964562-4](#) [968782-1](#) [GT17SA-8DS-](#)
[HU](#) [98891-1012](#) [98947-1016](#) [12004147](#) [12004475-L](#) [12010290](#) [12010309-B](#) [12015454](#) [12020219-B](#) [12020308](#) [12041318-B](#) [12052225-L](#)
[12052466](#) [12059125](#) [12064869](#) [12004327-B](#) [12010503-B](#) [12015308](#) [12015384](#) [12015909](#) [1-21030-1](#) [12041254](#) [12041318](#) [12047946-B](#)
[12047957](#) [12047957-L](#) [12059473](#) [12066261](#)