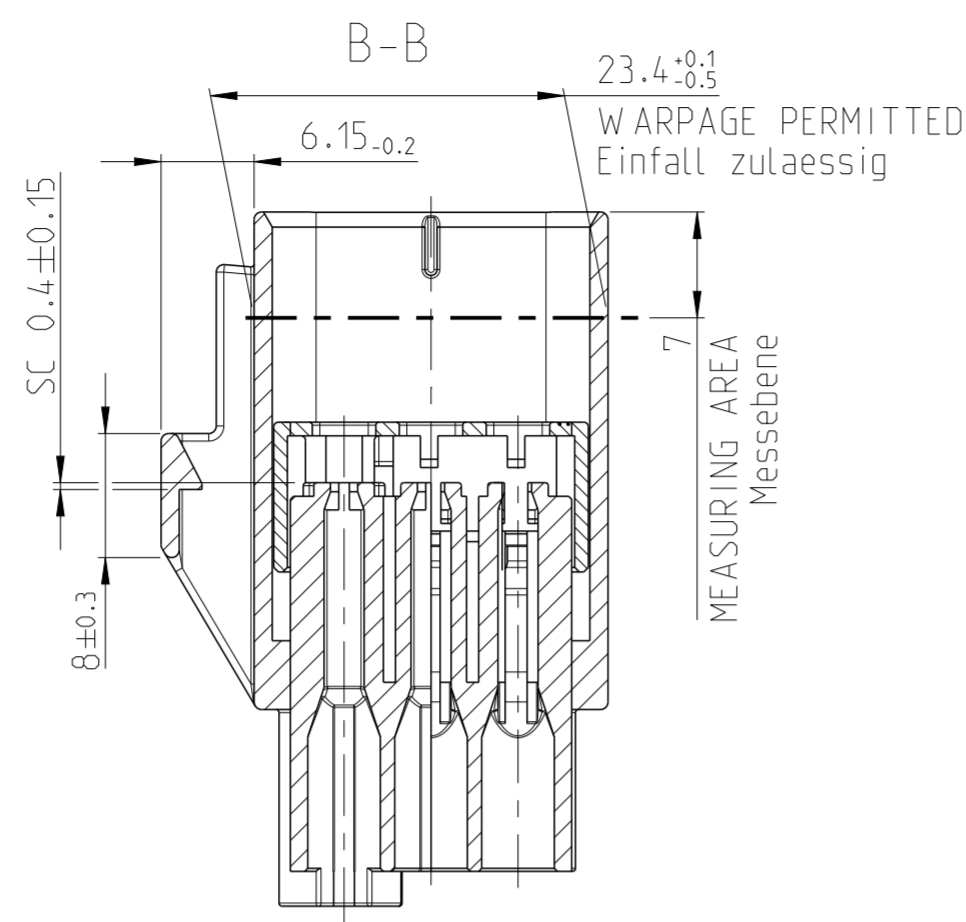
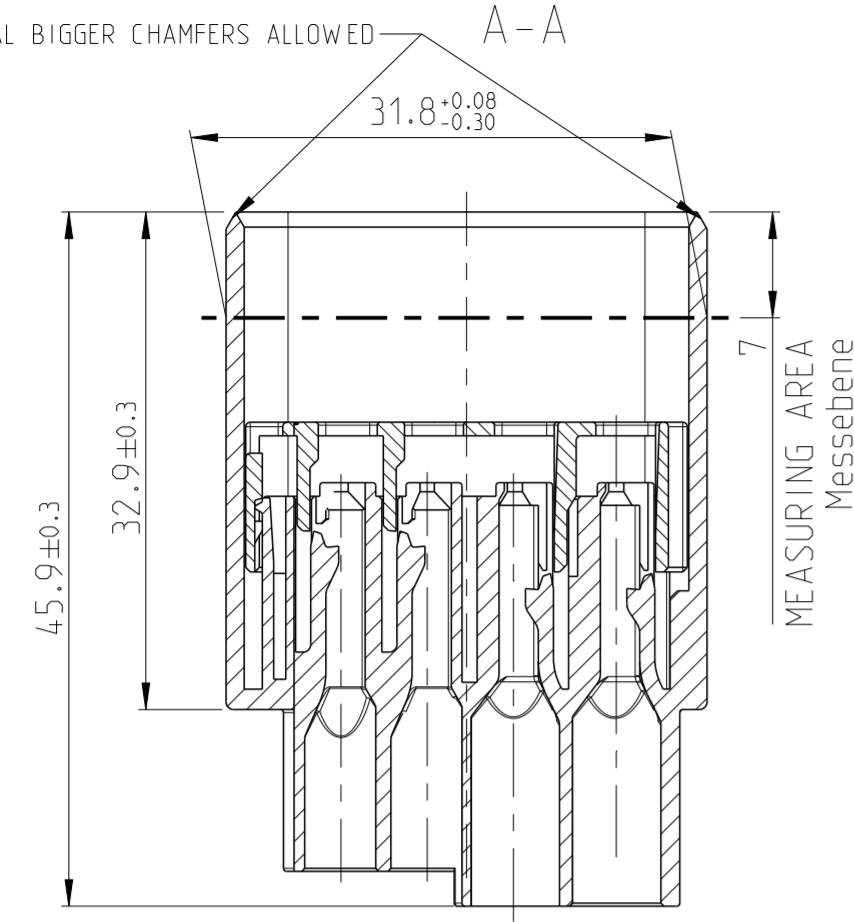
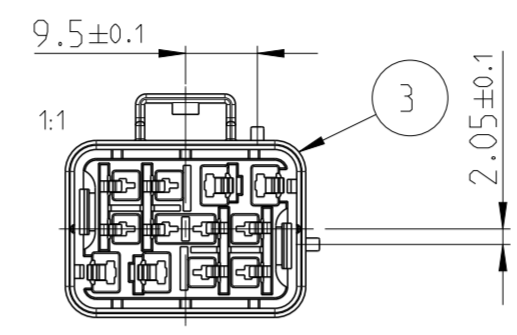


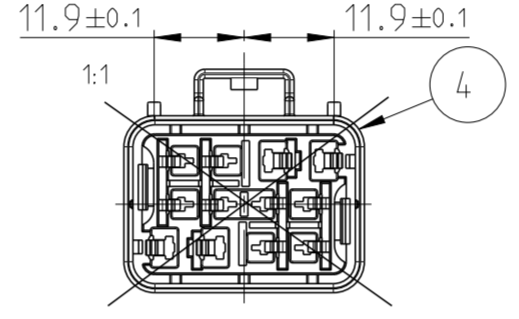
| REVISIONS |     |                     |           |     |      |
|-----------|-----|---------------------|-----------|-----|------|
| P         | LTR | DESCRIPTION         | DATE      | DWN | APVD |
| G2        |     | SEE PCN E-14-018294 | 08DEC2014 | MK  | KR   |
| G3        |     | ECR-15-002126       | 09FEB2015 | GP  | KR   |
| G4        |     | ECR-20-012259       | 31AUG2020 | VKS | PT   |



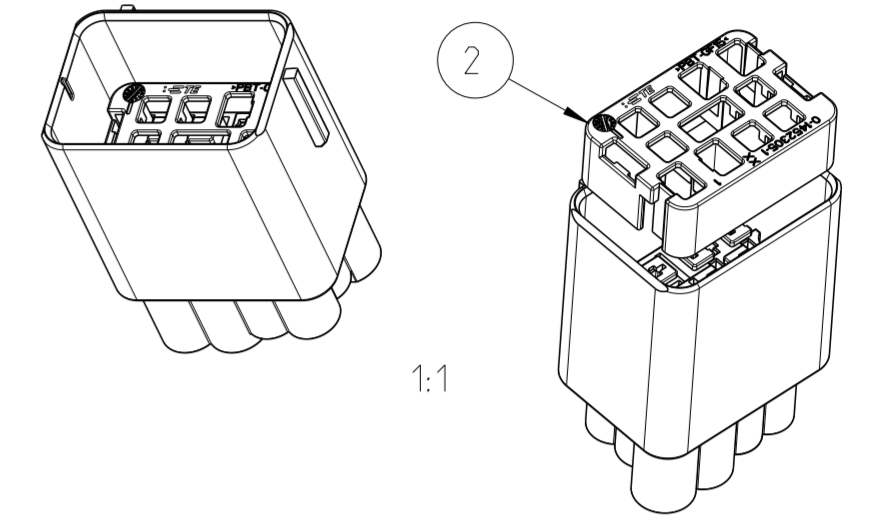
**CODING B**



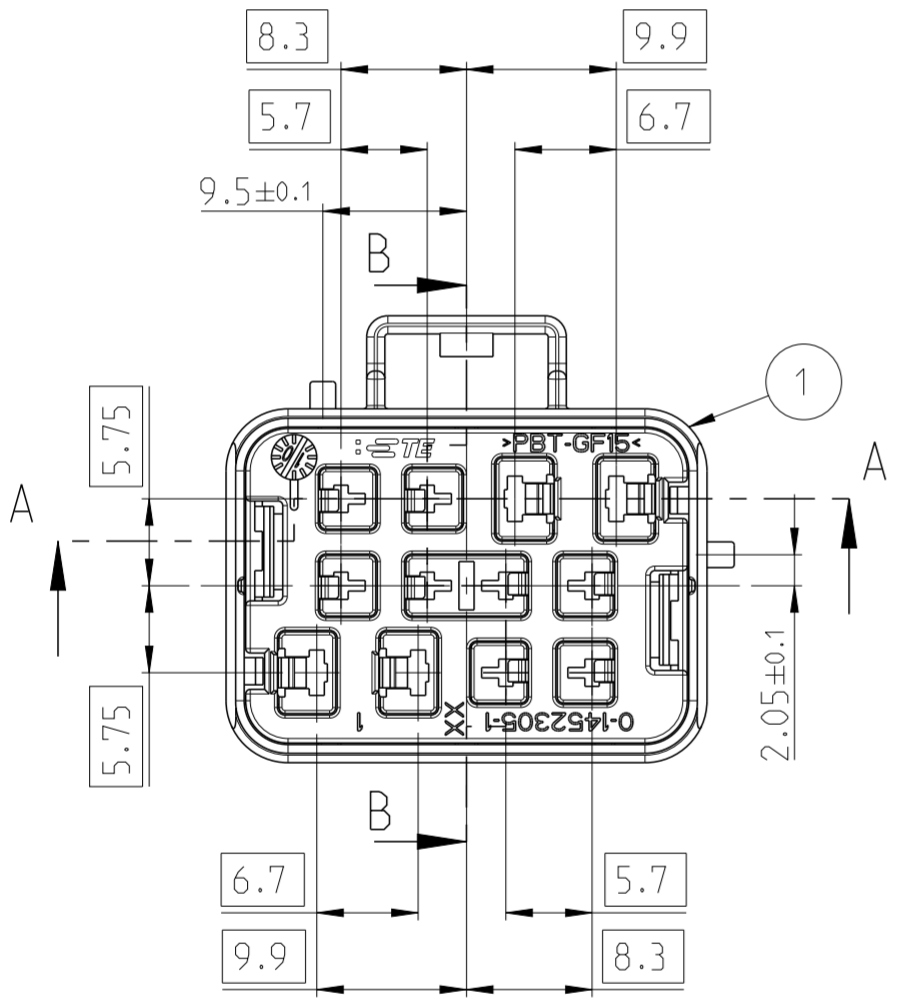
**CODING C**



1.5MM MALE TERMINAL SEALED  
 SUITABLE TERMINALS: FORD CAT2 (SUPPLIER YAZAKI)  
 2.8MM MALE TERMINAL SEALED  
 SUITABLE TERMINALS: FORD CAT3 (SUPPLIER YAZAKI OR TE)



**CODING A**



- NOTES:  
 Bemerkungen:
- DELIVERY CONDITION: SPACER IN PRE LOCK POSITION  
 Anlieferungszustand: Spacer in Vorraststellung
  - MATED WITH TE PART NO. 1452299 AND 1452734  
 passend zu TE Teile Nr. 1452299 und 1452734
  - SC SIGNIFICANT CHARACTERISTIC  
 Significantes Merkmal
- 1 AS SHOWN  
 wie gezeichnet

**PINOUT CONFIGURATION  
 Pinoutkonfiguration**

| CODING A    |          |          |          |          |          |          |          |          |          |           |           |           |
|-------------|----------|----------|----------|----------|----------|----------|----------|----------|----------|-----------|-----------|-----------|
| 3-1452303-1 | X        | X        | X        | X        | X        |          |          | X        | X        | X         | X         | X         |
| 1-1452303-1 | X        | X        | X        | X        | X        |          |          | X        | X        | X         | X         | X         |
| 0-1452303-1 |          |          |          |          |          |          |          |          |          |           |           |           |
|             | <b>1</b> | <b>2</b> | <b>3</b> | <b>4</b> | <b>5</b> | <b>6</b> | <b>7</b> | <b>8</b> | <b>9</b> | <b>10</b> | <b>11</b> | <b>12</b> |

WITH "X" MARKED INDICATE CLOSED LOCATIONS  
 Markierte Felder mit "X" kennzeichnen geschlossene Kammern

BLANKED CAVITIES INDICATE OPEN LOCATIONS FOR TERMINALS  
 Leere Felder kennzeichnen offene Kammern fuer Kontakte

| CODING B    |          |          |          |          |          |          |          |          |          |           |           |           |
|-------------|----------|----------|----------|----------|----------|----------|----------|----------|----------|-----------|-----------|-----------|
| 4-1452303-1 | X        | X        | X        | X        | X        |          |          |          |          | X         | X         |           |
| 2-1452303-1 | X        | X        | X        | X        | X        |          |          |          |          | X         | X         |           |
| 0-1452303-2 |          |          |          |          |          |          |          |          |          |           |           |           |
|             | <b>1</b> | <b>2</b> | <b>3</b> | <b>4</b> | <b>5</b> | <b>6</b> | <b>7</b> | <b>8</b> | <b>9</b> | <b>10</b> | <b>11</b> | <b>12</b> |

WITH "X" MARKED INDICATE CLOSED LOCATIONS  
 Markierte Felder mit "X" kennzeichnen geschlossene Kammern

BLANKED CAVITIES INDICATE OPEN LOCATIONS FOR TERMINALS  
 Leere Felder kennzeichnen offene Kammern fuer Kontakte

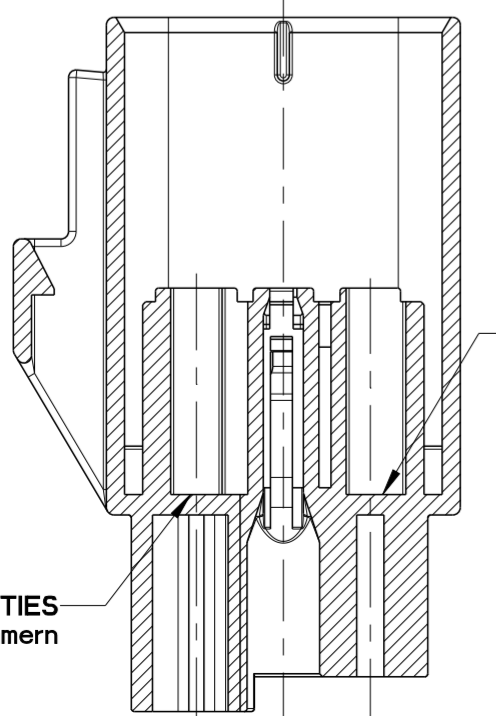
| CODING C    |          |          |          |          |          |          |          |          |          |           |           |           |
|-------------|----------|----------|----------|----------|----------|----------|----------|----------|----------|-----------|-----------|-----------|
| 0-1452303-3 |          |          |          |          |          |          |          |          |          |           |           |           |
|             | <b>1</b> | <b>2</b> | <b>3</b> | <b>4</b> | <b>5</b> | <b>6</b> | <b>7</b> | <b>8</b> | <b>9</b> | <b>10</b> | <b>11</b> | <b>12</b> |

WITH "X" MARKED INDICATE CLOSED LOCATIONS  
 Markierte Felder mit "X" kennzeichnen geschlossene Kammern

BLANKED CAVITIES INDICATE OPEN LOCATIONS FOR TERMINALS  
 Leere Felder kennzeichnen offene Kammern fuer Kontakte

| G4 APPLICABLE COMPONENTS |  |                |             |                 |
|--------------------------|--|----------------|-------------|-----------------|
| ITEM                     | DESCRIPTION                              | PLATING/COLOUR | TE PART NO. | YAZAKI PART NO. |
| 1                        | 1.5mm MALE TERMINAL SYSTEM (0.35-0.5mm2) | TIN            | -           | 7114-4102-02    |
|                          | 1.5mm MALE TERMINAL SYSTEM (0.75-1.0mm2) | TIN            | -           | 7114-4103-02    |
| 2                        | WIRE SEAL (1.5mm) (0.35-0.5mm2)          | RED            | -           | 7158-3030-50    |
| 3                        | WIRE SEAL (1.5mm) (0.75-1.0mm2)          | BLUE           | -           | 7158-3031-90    |
| 4                        | BLIND PLUG (1.5mm)                       | GREEN          | -           | 7158-3032-60    |
|                          | 2.8mm MALE TERMINAL SYSTEM (0.35mm2)     | TIN            | 0-1326031-1 | -               |
|                          | 2.8mm MALE TERMINAL SYSTEM (0.5mm2)      | TIN            | 0-1326031-2 | -               |
|                          | 2.8mm MALE TERMINAL SYSTEM (0.75-1.0mm2) | TIN            | 0-1326031-3 | -               |
|                          | 2.8mm MALE TERMINAL SYSTEM (AWG16)       | TIN            | 0-1326031-4 | -               |
| 5                        | 2.8mm MALE TERMINAL SYSTEM (1.5-2.5mm2)  | TIN            | 0-1326031-5 | -               |
|                          | WIRE SEAL (2.8mm) (0.35-0.5mm2)          | GREEN          | -           | 7158-3111-60    |
| 7                        | WIRE SEAL (2.8mm) (0.75-1.0mm2)          | YELLOW         | -           | 7158-3112-70    |
| 8                        | WIRE SEAL (2.8mm) (1.5-2.5mm2)           | WHITE          | -           | 7158-3113-40    |
| 9                        | BLIND PLUG (2.8mm)                       | BLUE           | -           | 7158-3114-90    |

**CLOSED CAVITIES / Geschlossene Kammern**



CLOSED 15mm CAVITIES  
 Geschlossene 1,5mm Kammern

CLOSED 2.8mm CAVITIES  
 Geschlossene 2,8mm Kammern

|                             |             |             |             |             |             |             |   |                    |        |         |
|-----------------------------|-------------|-------------|-------------|-------------|-------------|-------------|---|--------------------|--------|---------|
| 1x                          |             | 1x          |             |             |             |             | PBT-GF20  | MALE HSG. CODING B | green  | -       |
|                             | 1x          |             | 1x          |             |             |             | PBT-GF20  | MALE HSG. CODING A | black  | -       |
|                             |             |             |             | 1x          |             |             | PBT-GF20  | MALE HSG. CODING C | nature | 4       |
|                             |             |             |             |             | 1x          |             | PBT-GF20  | MALE HSG. CODING B | green  | 3       |
| 1x                          | 1x          | 1x          | 1x          | 1x          | 1x          | 1x          | PBT-GF15  | SPACER             | red    | 2       |
|                             |             |             |             |             |             | 1x          | PBT-GF20  | MALE HSG. CODING A | black  | 1       |
| A                           | A           | D           | F           | -           | C           | E           | MATERIAL  | DESCRIPTION        | COLOUR | ITEM NO |
| 18.3                        | 18.3        | 18.3        | 18.3        | -           | 18.3        | 18.3        | REVISION OF EACH ASSY NO (WHEN BLANK, USE DWG REVISION) |                    |        |         |
| 4-1452303-1                 | 3-1452303-1 | 2-1452303-1 | 1-1452303-1 | 0-1452303-3 | 0-1452303-2 | 0-1452303-1 | WEIGHT OF EACH ASSY NO [g]                              |                    |        |         |
| TE ASSY PN                  |             |             |             |             |             |             | CODING  |                    |        |         |
| MATING COMPONENT TE ASSY PN |             |             |             |             |             |             | PARTS LIST  |                    |        |         |

THIS DRAWING IS A CONTROLLED DOCUMENT.

|             |  |
|-------------|--|
| DIMENSIONS: | TOLERANCES UNLESS OTHERWISE SPECIFIED: |
| mm          | 0 PLC ±                                |
|             | 1 PLC ±                                |
|             | 2 PLC ±                                |
|             | 3 PLC ±                                |
|             | 4 PLC ±                                |
|             | ANGLES #5                              |
| MATERIAL    | FINISH                                 |
| -           | -                                      |

|                  |           |           |                 |   |
|------------------|-----------|-----------|-----------------|---|
| DWN              | G.PUCKEL  | 16OCT2001 | TE Connectivity | NAME<br>12 POS. INLINER TO REAR-BUMPER CON. ASSY MALE HOUSING |
| CHK              | S.DENTER  | 16OCT2001 |                 |   |
| APVD             | G.MUMPER  | 16OCT2001 |                 |   |
| PRODUCT SPEC     |           |           |                 |   |
| APPLICATION SPEC | 114-18487 |           | SIZE            | A2  |
| WEIGHT           | -         |           | CAGE CODE       | 00779   |
| CUSTOMER DRAWING |           |           | DRAWING NO      | G-1452303   |
|                  |           |           | RESTRICTED TO   |   |
|                  |           |           | SCALE           | 2:1   |
|                  |           |           | SHEET           | 1 OF 1  |
|                  |           |           | REV             | G4  |

## X-ON Electronics

Largest Supplier of Electrical and Electronic Components

*Click to view similar products for [Automotive Connectors](#) category:*

*Click to view products by [TE Connectivity](#) manufacturer:*

Other Similar products are found below :

[003-018-000](#) [60403001](#) [60993906-B](#) [M902-2131](#) [M902-2161](#) [72.330.1035.1](#) [73.353.4028.0](#) [F119300-B](#) [F166900](#) [F258300-B](#) [F358300-B](#)  
[F407400](#) [F444110](#) [F487000](#) [F509500B-B](#) [827153-1](#) [8N1515-32-24P](#) [9-1326729-8](#) [925474-1](#) [928905-1](#) [964562-4](#) [968782-1](#) [GT17SA-8DS-](#)  
[HU](#) [98891-1012](#) [98947-1016](#) [12004147](#) [12004475-L](#) [12010290](#) [12010309-B](#) [12015454](#) [12020219-B](#) [12020308](#) [12041318-B](#) [12052225-L](#)  
[12052466](#) [12059125](#) [12064869](#) [12004327-B](#) [12010503-B](#) [12015308](#) [12015384](#) [12015909](#) [1-21030-1](#) [12041254](#) [12041318](#) [12047946-B](#)  
[12047957](#) [12047957-L](#) [12059473](#) [12066261](#)