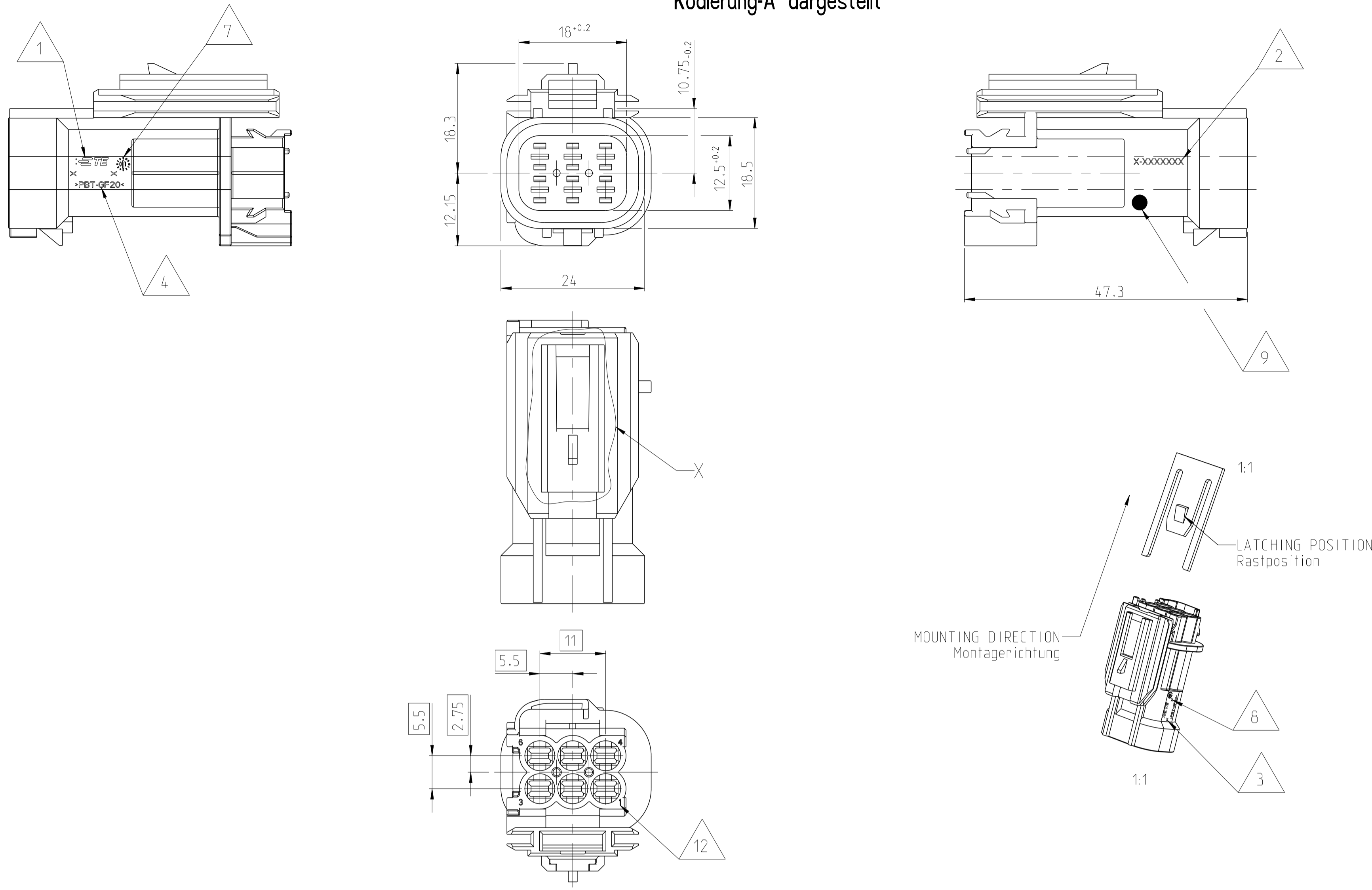
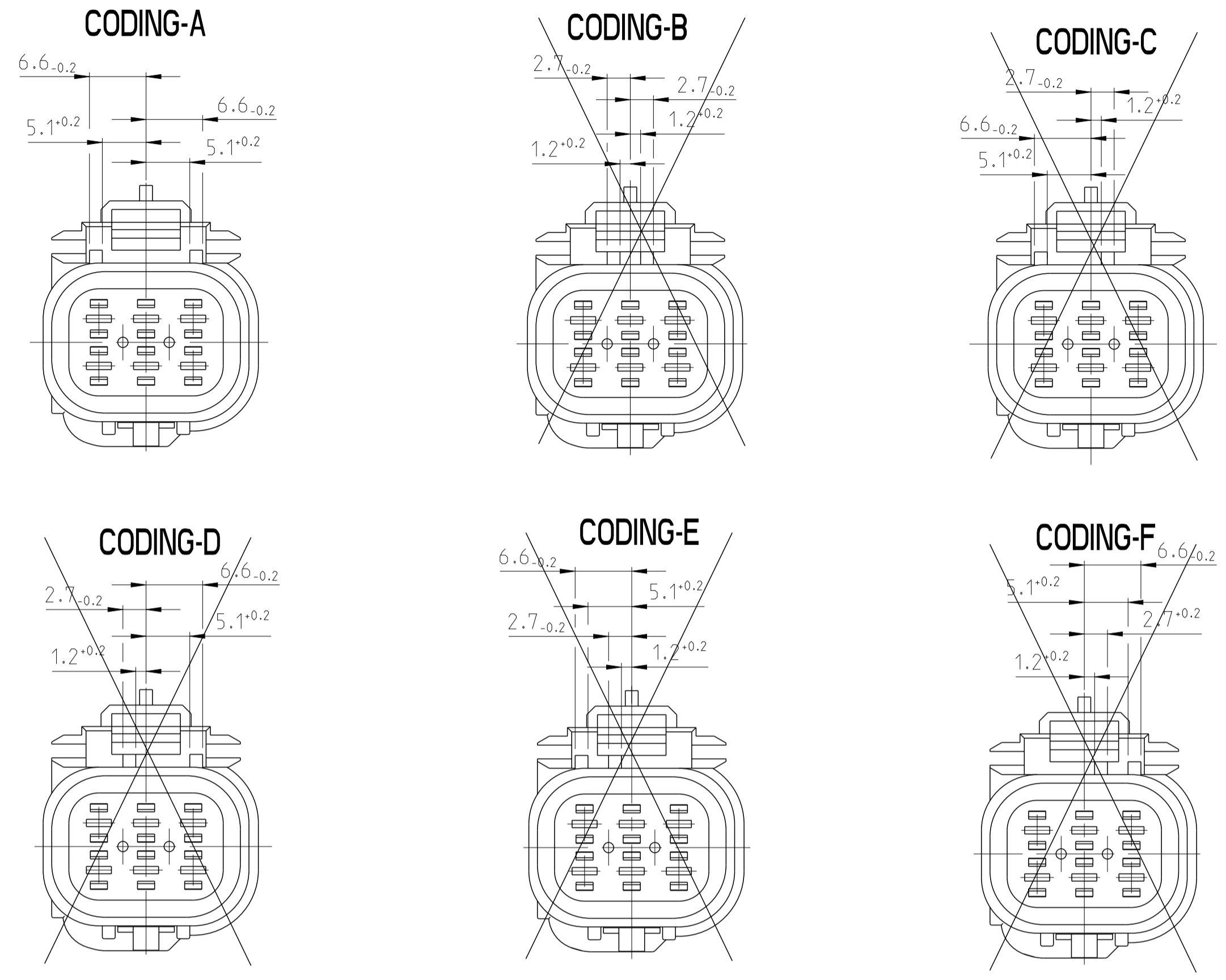


**CODING-A SHOWN**  
**Kodierung-A dargestellt**



CODINGS / CAVITIES DESIGN VARIABLE FOR ALL CODINGS  
 Kodierungen / Steckgesicht fuer alle Kodierungen variabel

LOC		DIST		REVISIONS				
P	LTN	DATE	DMN	APVD	DESCRIPTION	DATE	DMN	APVD
A		13MAY2013	SH	PT	INITIAL DRAWING			



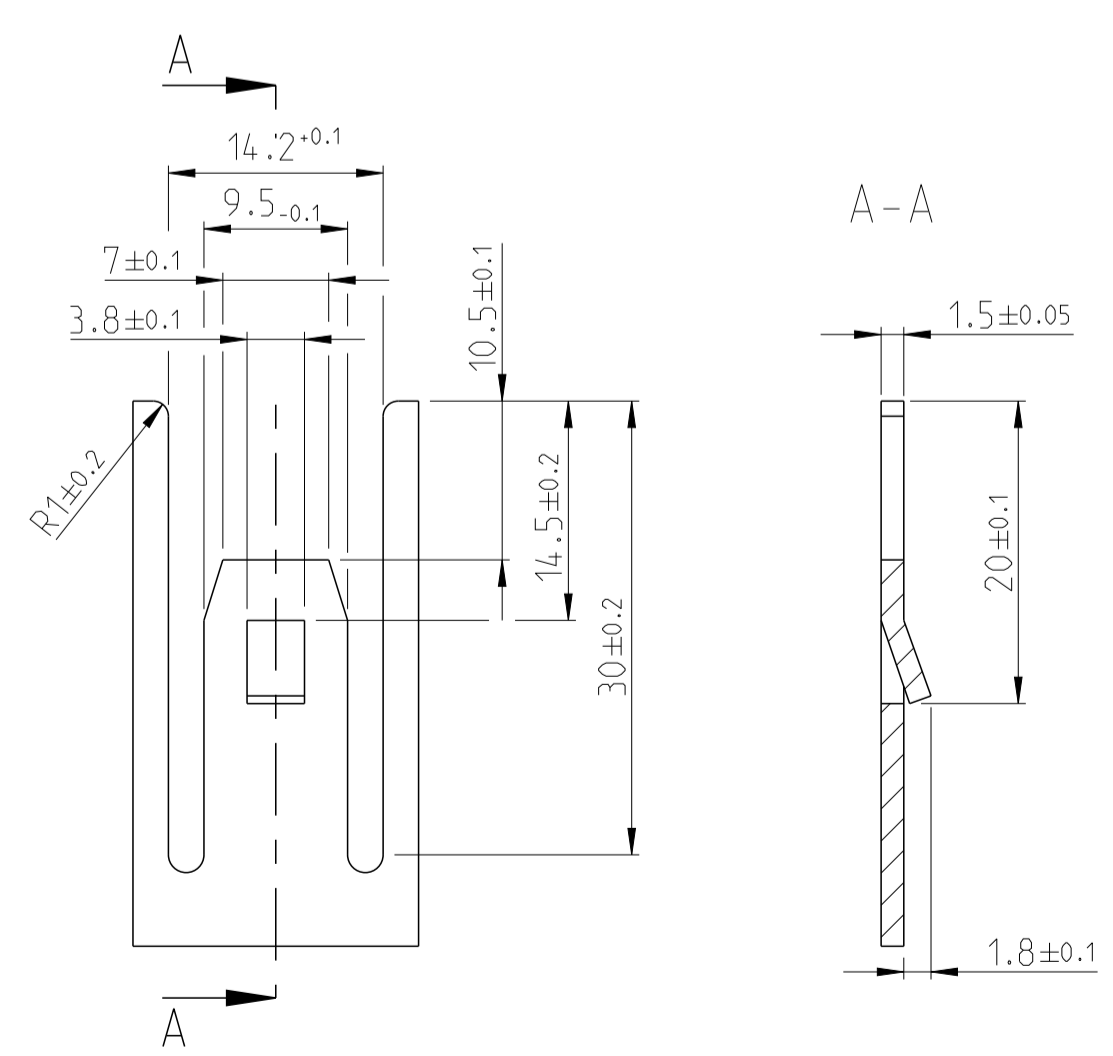
USED WITH:  
 Verwenden mit:  
 RETAINER  
 2.Kontaktsicherung  
 1452325  
 1452542

TE ORDER NO	TE ORDER NO	WIRE RANGE	MATERIAL	FINISH	SINGLE WIRE SEAL NO
2-964302-1	2-964301-1	>1.0-2.5	CuFe 2	PRETINNED	963292-1
2-964300-1	2-964299-1	0.5-1.0	CuFe 2	PRETINNED	963293-1
2-964298-1	2-964297-1	0.2-0.5	CuFe 2	PRETINNED	963294-1

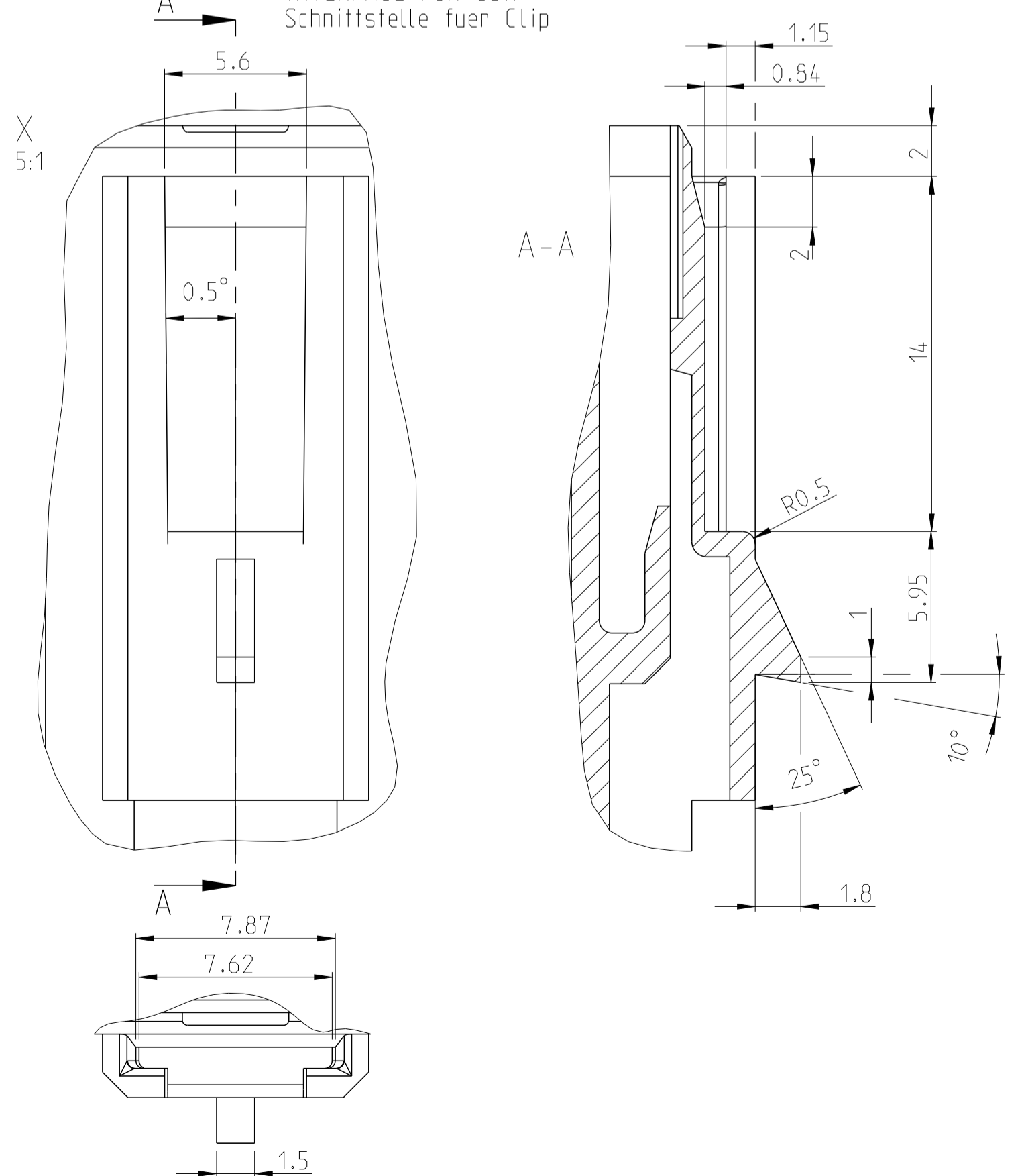
RECOMMENDED CONTACT SYSTEM: TAB 2.8 TYPE A, SEALED

- NOTES:  
 BEMERKUNGEN:
- 1 TE - LOGO  
TE - FIRMENKENNZEICHEN
  - 2 ORDER NUMBER  
BESTELL-NUMMER
  - 3 REVISION NUMBER  
WERKZEUGÄNDERUNGSINDEX
  - 4 MATERIAL MARKING  
WERKSTOFFKENNZEICHUNG
  - 5 :
  - 6 :
  - 7 PRODUCTION DATE  
PRODUKTIONSdatum
  - 8 CAVITY MARKING  
NESTMARKIERUNG
  - 9 ATTENTION:  
PRE-SERIES PART ONLY WITH CONDITIONAL RELEASE  
MARKED WITH PINK DOT !  
PACKAGING DEPENDS ON ORDER.
  - 10 :
  - 11 LOOSE PARTS PACKED IN CARTON  
Verpackung, lose im Karton
  - 12 CAVITY IDENTIFICATION  
Kammerbezeichnung
  - 13 HOUSING TO FIT THROUGH SHEETDETAIL Ø3MM!  
Gehäuse passt durch Blechschnitt Ø3mm!

INTERFACE FOR METAL SHEET  
 Schnittstelle fuer Blechaufnahme



INTERFACE FOR CLIP  
 Schnittstelle fuer Clip



CAVITY NUMBER	PART-NO.	COD.	REV.	REMARK Bemerkung	WEIGHT (g)	DESCRIPTION	MATERIAL	FINISH COLOUR	TE-COUNTERPART NO.
6	1452324-3	A	A	ALL CAVITIES OPEN (AS SHOWN) Alle Kammern offen (wie dargestellt)	10.4	TAB HOUSING 2.8MM, 6POS. Flachsteckergehause 2.8mm, 6pol.	PBT-GF20	BLACK schwarz	1452327-1 1745078-1

THIS DRAWING IS A CONTROLLED DOCUMENT.  
 DIMENSIONS: mm  
 TOLERANCES UNLESS OTHERWISE SPECIFIED:  
 0 PLC ±0.5  
 1 PLC ±0.5  
 2 PLC ±0.5  
 3 PLC ±0.5  
 4 PLC ±0.5  
 ANGLES ±0.5°

OWN: Shreeshaail 24APR2013  
 CHK: Patruswam, T 24APR2013  
 NAME: Hecker, Ralf  
 PRODUCT SPEC: 108-18793  
 APPLICATION SPEC: 114-18485  
 WEIGHT: SEE TABLE  
 Customer Drawing

**STE** TE Connectivity  
 TAB-HOUSING 2.8mm, 6 POS  
 Flachkontaktgehäuse 2.8mm, 6pol.

SIZE: A1  
 CAGE CODE: 00779  
 DRAWING NO: 1452324  
 SCALE: 2:1  
 SHEET: 1 OF 1  
 REV: A

## X-ON Electronics

Largest Supplier of Electrical and Electronic Components

*Click to view similar products for [Automotive Connectors](#) category:*

*Click to view products by [TE Connectivity](#) manufacturer:*

Other Similar products are found below :

[003-018-000](#) [60403001](#) [60993906-B](#) [M902-2131](#) [M902-2161](#) [72.330.1035.1](#) [73.353.4028.0](#) [F119300-B](#) [F166900](#) [F258300-B](#) [F358300-B](#)  
[F407400](#) [F444110](#) [F487000](#) [F509500B-B](#) [827153-1](#) [8N1515-32-24P](#) [9-1326729-8](#) [925474-1](#) [928905-1](#) [964562-4](#) [968782-1](#) [GT17SA-8DS-](#)  
[HU](#) [98891-1012](#) [98947-1016](#) [12004147](#) [12004475-L](#) [12010290](#) [12010309-B](#) [12015454](#) [12020219-B](#) [12020308](#) [12041318-B](#) [12052225-L](#)  
[12052466](#) [12059125](#) [12064869](#) [12004327-B](#) [12010503-B](#) [12015308](#) [12015384](#) [12015909](#) [1-21030-1](#) [12041254](#) [12041318](#) [12047946-B](#)  
[12047957](#) [12047957-L](#) [12059473](#) [12066261](#)