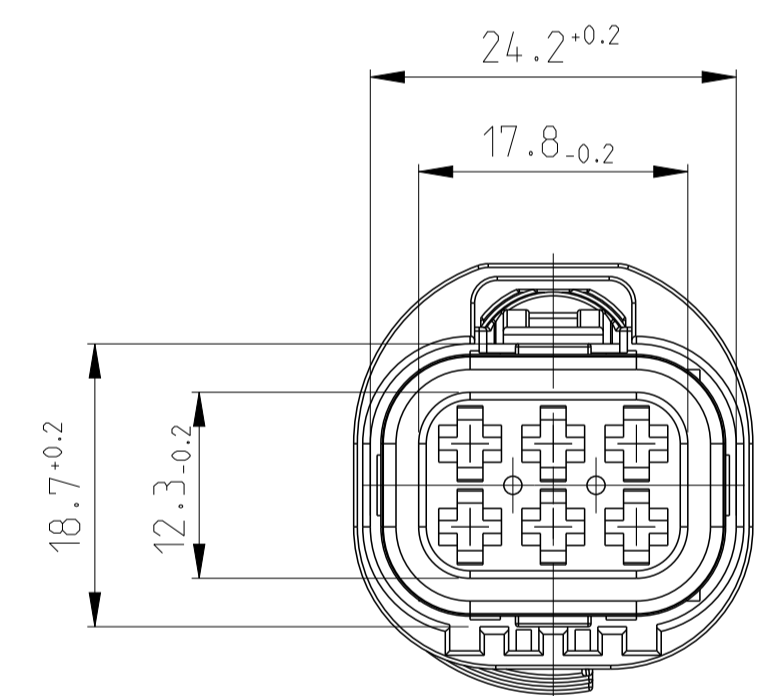
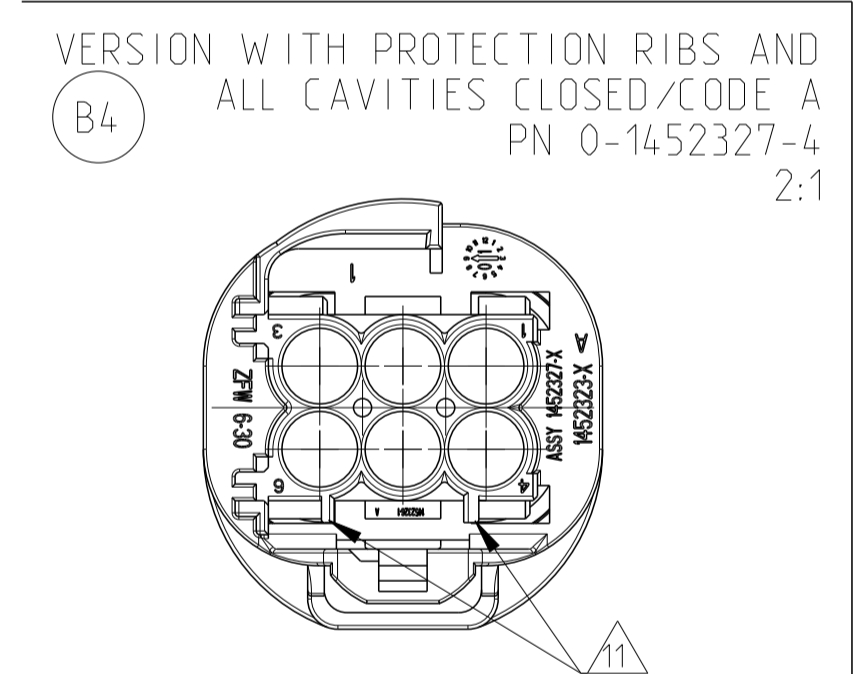
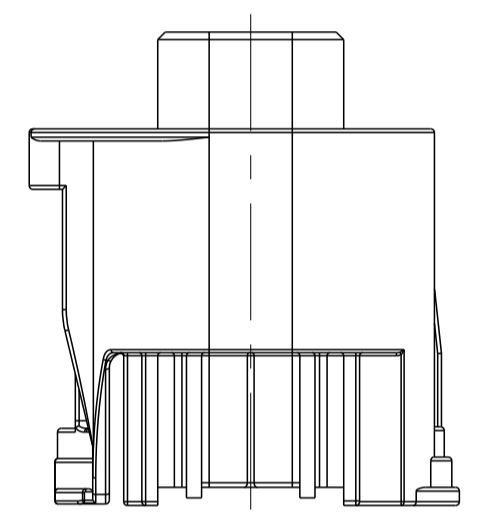
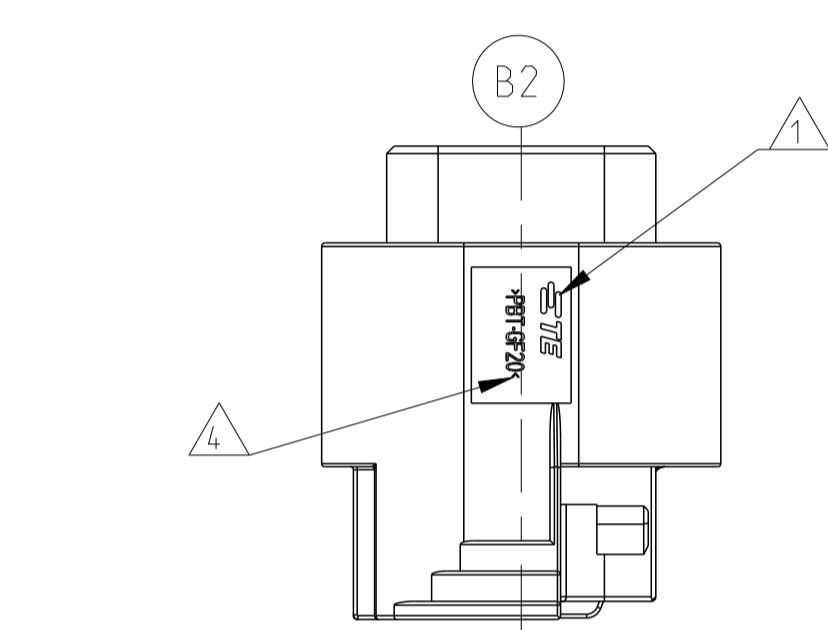
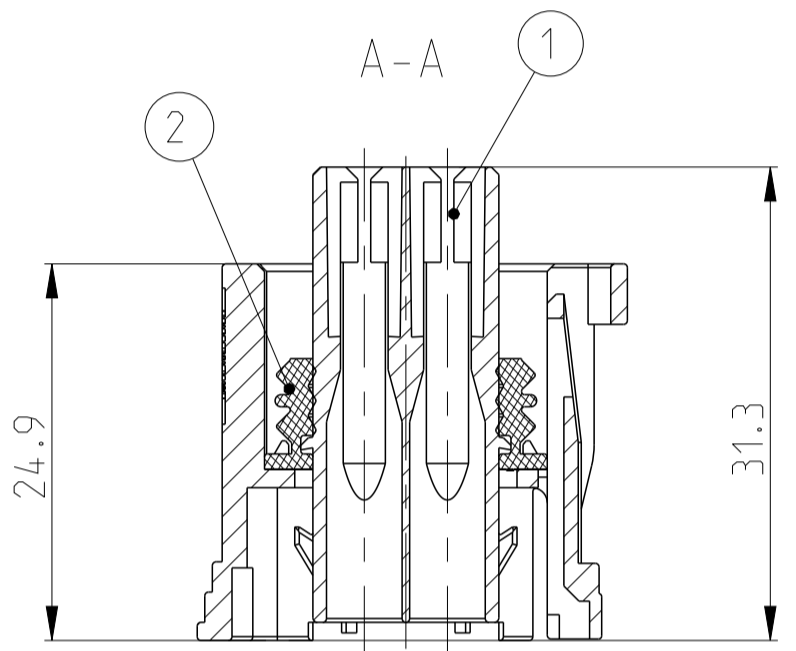
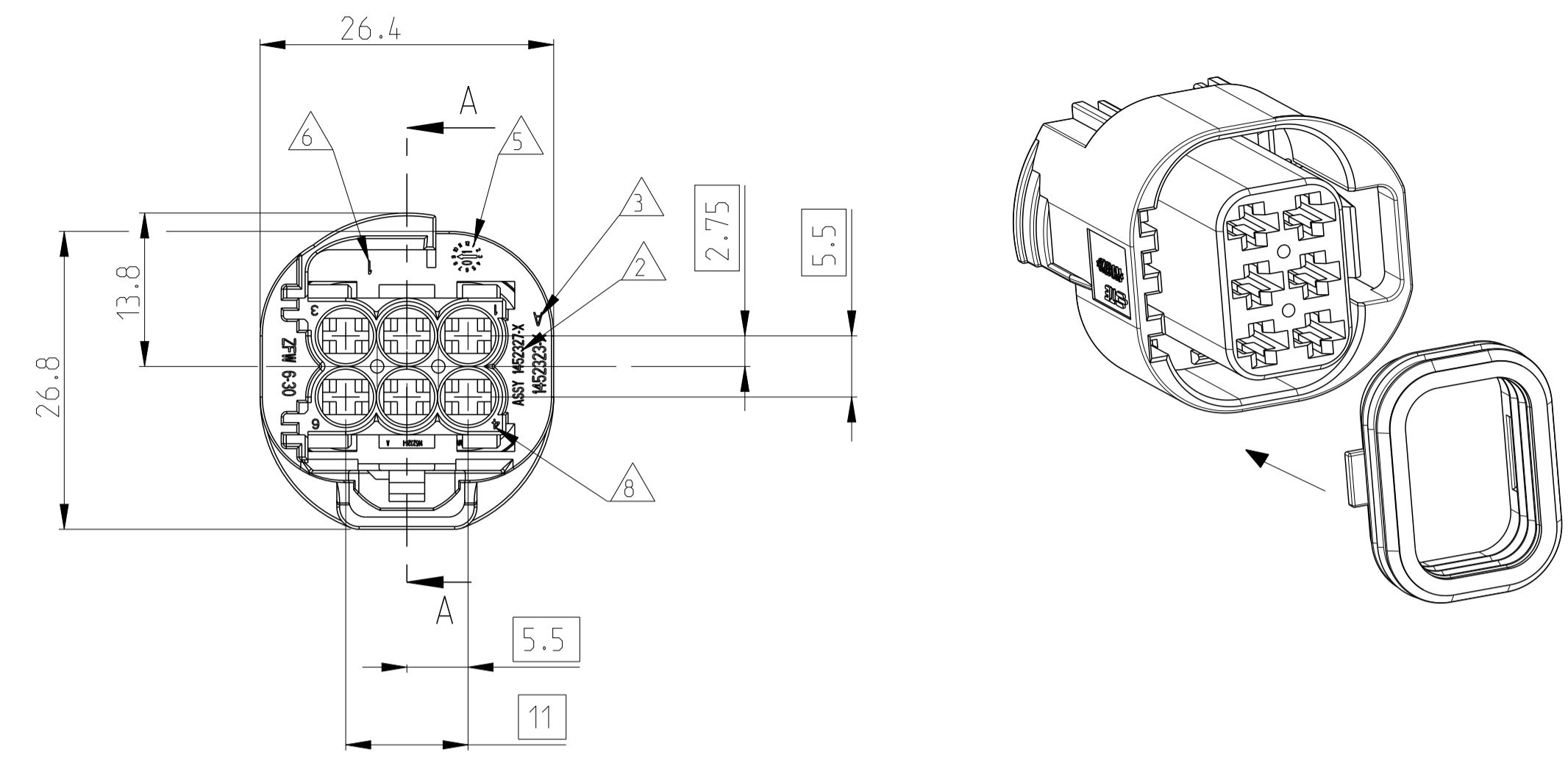
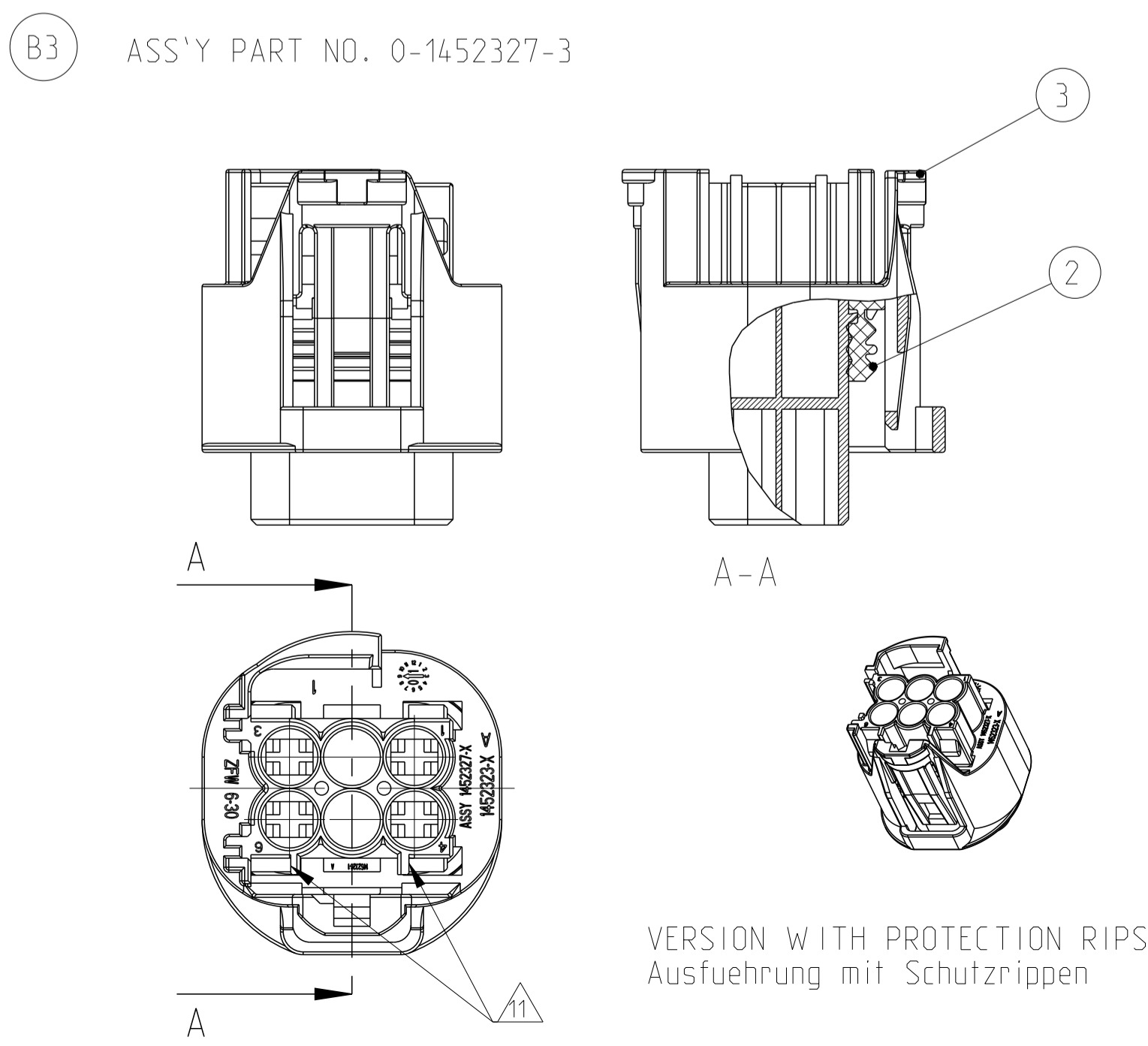


LOC	DIST	REV	DATE	BY	CHK	APPV
A1	-	B2	120C12011	SK	AK	
		B3	21MAY2012	HN	RH	
		B4	24 JUL 2013	SK	RH	



USED WITH :
 Verwenden mit :
 RETAINER P/N 1452325
 2.Kontaktsicherung P/N 1452325
 RETAINER P/N 1452542
 2.Kontaktsicherung P/N 1452542
 ATTENTION:
 Achtung:
 ASS'Y 0-1452327-3/-4 COULD NOT
 USED WITH ANY RETAINER VERSION
 Zusammenbau 0-1452327-3/-4 kann
 mit keiner Kontaktsicherung
 verwendet werden

△ CODINGS
 Kodierungen



- NOTES
 BEMERKUNGEN
- △ 1 TE-LOGO
TE-Firmenzeichen
 - △ 2 ORDER NUMBER
Bestell-Nummer
 - △ 3 REVISION NUMBER
Werkzeug-Aenderungsindex
 - △ 4 MATERIAL MARKING
Werkstoffkennzeichnung
 - △ 5 PRODUCTION DATE
Produktionsdatum
 - △ 6 CAVITY MARKING
Nestmarkierung
 - 7 LOOSE PARTS PACKAGED IN CARTON
Verpackung, lose im Karton
 - △ 8 CAVITY IDENTIFICATION
Kammerbezeichnung
 - △ 9 INTERFACE 114-18642
Schnittstelle 114-18642
 - △ 10 CODING
Kodierungen
 - △ 11 ADDITIONAL RIPS ONLY FOR VERSION -3/-4
Zusätzliche Rippen nur fuer Variante -3/-4

CAVITY NO.	ASS'Y PART-NO.	REV.	COD.	REMARK Bemerkung	POS.	QTY.	WEIGHT (g)	DESCRIPTION	MATERIAL	FINISH COLOUR	TE-COUNTERPART	ITEM NO.
0	0-1452327-4	A	A	ALL CAVITIES CLOSED Alle Kammern geschlossen	2	1	8.5	SEAL Dichtung	MVQ SHORE 50 A	ORANGE	0-1452324-1/-2	8
					1	1						JPT HOUSING, 4POS. JPT-Gehaeuse, 4pol.
4	0-1452327-3	A	A	CAVITY 2 AND 5 CLOSED Kammer 2 und 5 geschlossen	2	1	9.0	SEAL Dichtung	MVQ SHORE 50 A	ORANGE	0-1452324-2	6
					3	1						JPT HOUSING, 4POS. JPT-Gehaeuse, 4pol.
4	0-1452327-2	B	A	CAVITY 2 AND 5 CLOSED Kammer 2 und 5 geschlossen	2	1	8.9	SEAL Dichtung	MVQ SHORE 50 A	ORANGE	0-1452324-2	4
					1	1						JPT HOUSING, 4POS. JPT-Gehaeuse, 4pol.
6	0-1452327-1	B	A	ALL CAVITIES OPEN (AS SHOWN) Alle Kammern offen (wie dargestellt)	2	1	9.0	SEAL Dichtung	MVQ SHORE 50 A	ORANGE	0-1452324-1	2
					1	1						JPT HOUSING, 6POS. JPT-Gehaeuse, 6pol.

THIS DRAWING IS A CONTROLLED DOCUMENT.
 DIMENSIONS: MASSENMAEßEN: mm
 TOLERANCES: UNLESS OTHERWISE SPECIFIED: ALL DIMENSIONS

0-0964273-1	0-0964287-1	>1.0-2.5	CuFe 2	PRETINNED	0-0963292-1
0-0964286-1	0-0964285-1	0.5-1.0	CuFe 2	PRETINNED	0-0963293-1
0-0964282-1	0-0964281-1	0.2-0.5	CuFe 2	PRETINNED	0-0963294-1

TE ORDER NO STRIP FORM TE ORDER NO LOOSE PIECE WIRE RANGE MM² MATERIAL FINISH SINGLE WIRE SEAL NO

RECOMMENDED CONTACT SYSTEM: JPT- TYPE A; SEALED

OWN: S. Schenk 13NOV2007
 CHK: V. Bergmann 14NOV2007
 APVD: (B)

PRODUCT SPEC: 108-18793 (B)
 APPLICATION SPEC: VERABREITUNGSSPEZ. 114-18642

WEIGHT: SEE TABLE CUSTOMER DRAWING

SCALE: 5:1 SHEET: 1 OF 1 REV: B4

X-ON Electronics

Largest Supplier of Electrical and Electronic Components

Click to view similar products for [Automotive Connectors](#) category:

Click to view products by [TE Connectivity](#) manufacturer:

Other Similar products are found below :

[003-018-000](#) [60403001](#) [60993906-B](#) [M902-2131](#) [M902-2161](#) [M902-2344](#) [72.330.1035.1](#) [73.353.4028.0](#) [F119300-B](#) [F166900](#) [F258300-B](#)
[F358300-B](#) [F407400](#) [F444110](#) [F487000](#) [F509500B-B](#) [827153-1](#) [8N1515-32-24P](#) [9-1326729-8](#) [925474-1](#) [928905-1](#) [964562-4](#) [968782-1](#)
[GT17SA-8DS-HU](#) [98891-1012](#) [98947-1016](#) [12004147](#) [12004475-L](#) [12010290](#) [12010309-B](#) [12015454](#) [12020219-B](#) [12041318-B](#) [12052225-](#)
[L](#) [12052466](#) [12064869](#) [12004327-B](#) [12015308](#) [12015384](#) [12015909](#) [1-21030-1](#) [12041254](#) [12041318](#) [12047946-B](#) [12047957](#) [12047957-L](#)
[12059473](#) [12066261](#) [12110546](#) [12110546-B](#)