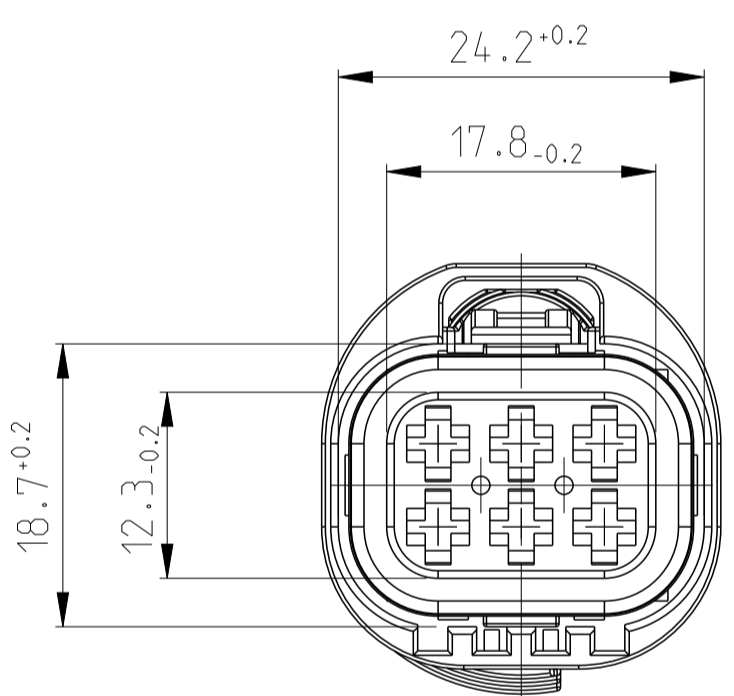
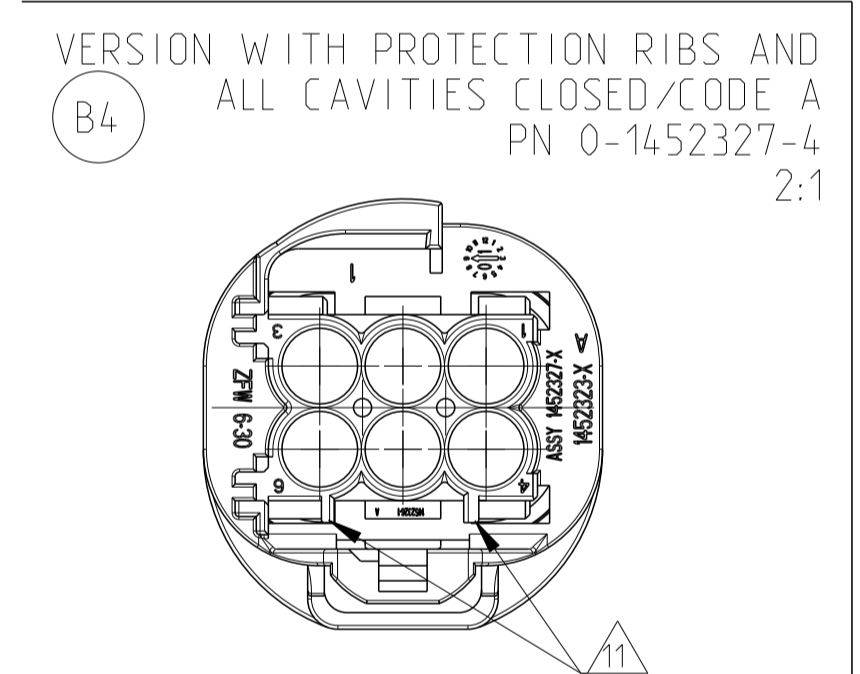
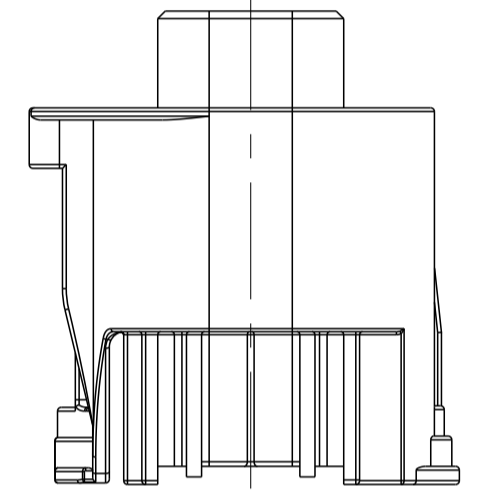
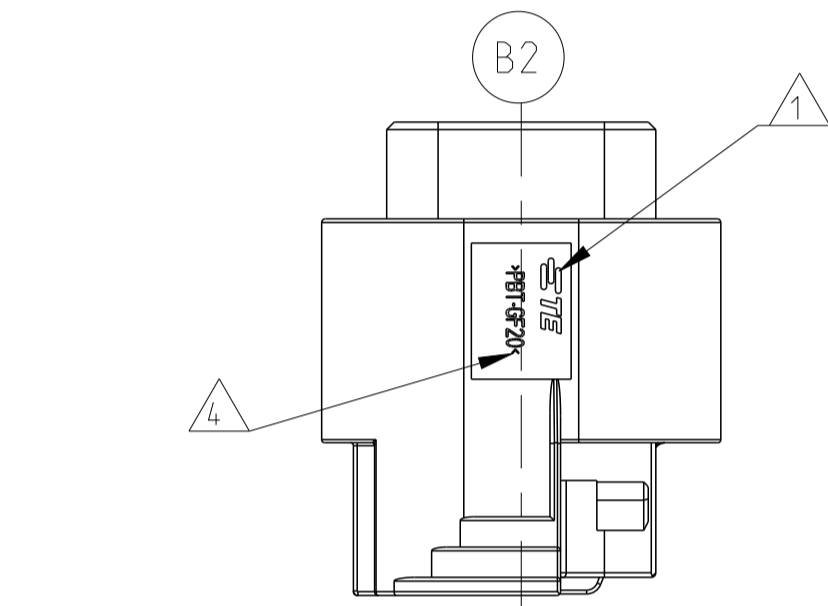
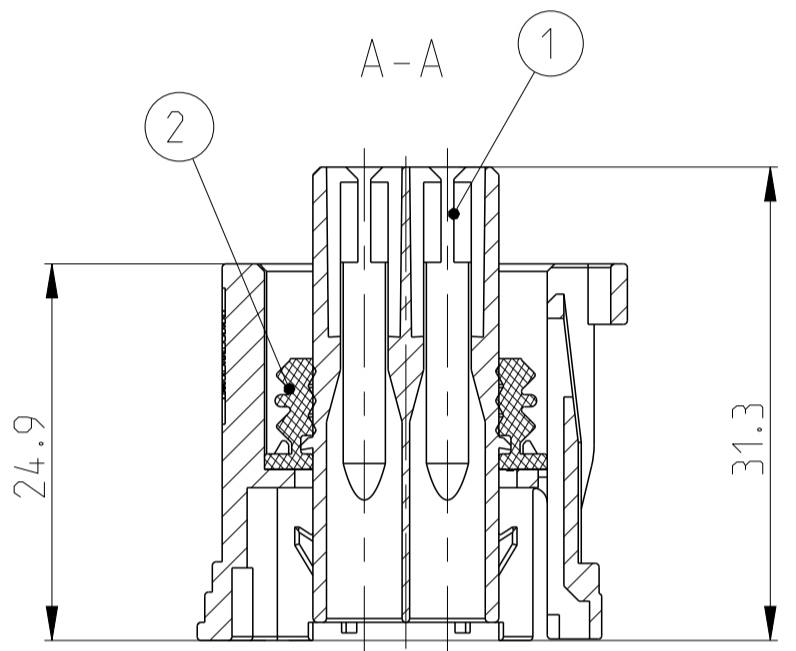
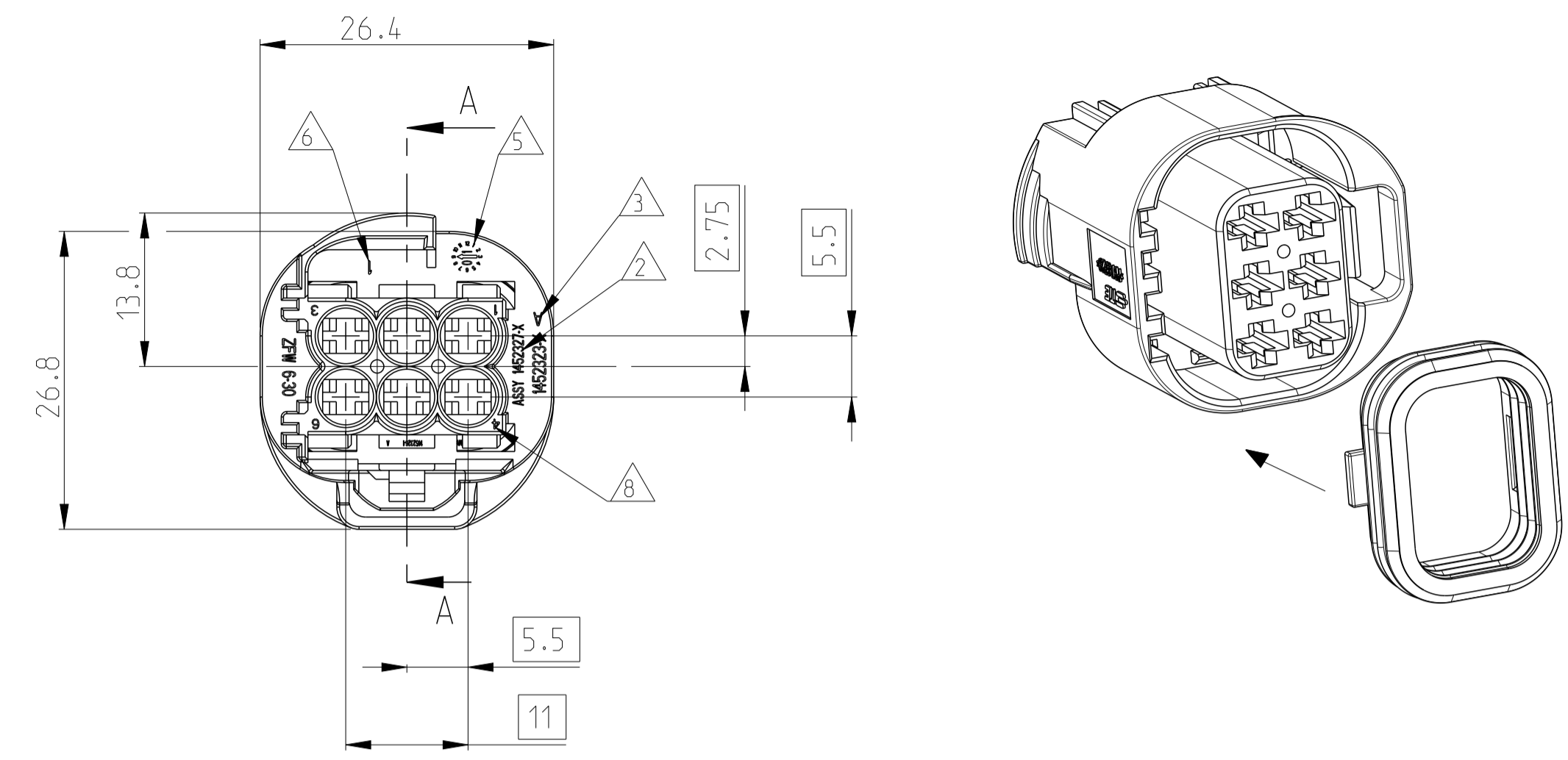


LOC	DIST	REV	DATE	OWN	APVD
A1	-	B2	12 OCT 2011	SK	AK
		B3	2 MAY 2012	HN	RH
		B4	24 JUL 2013	SK	RH



USED WITH :
Verwenden mit :
RETAINER P/N 1452325
2.Kontaktsicherung P/N 1452325

RETAINER P/N 1452542
2.Kontaktsicherung P/N 1452542

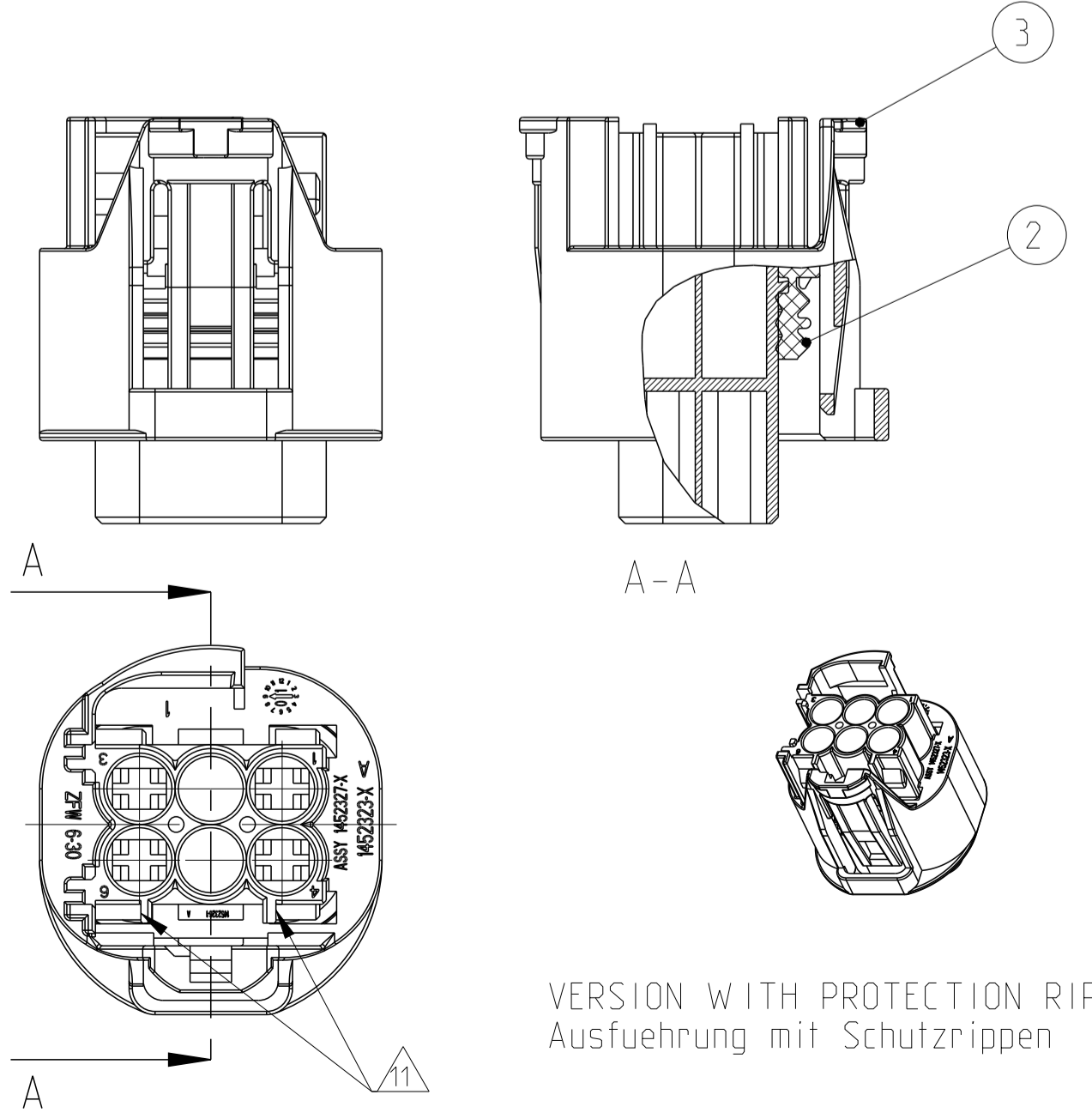
ATTENTION:
Achtung:
ASS'Y 0-1452327-3/-4 COULD NOT
USED WITH ANY RETAINER VERSION

Zusammenbau 0-1452327-3/-4 kann
mit keiner Kontaktsicherung
verwendet werden

△ CODINGS
Kodierungen



B3 ASS'Y PART NO. 0-1452327-3



VERSION WITH PROTECTION RIPS
Ausführung mit Schutzrippen

NOTES
BEMERKUNGEN

- △ 1 TE-LOGO
TE-Firmenzeichen
- △ 2 ORDER NUMBER
Bestell-Nummer
- △ 3 REVISION NUMBER
Werkzeug-Aenderungsindex
- △ 4 MATERIAL MARKING
Werkstoffkennzeichnung
- △ 5 PRODUCTION DATE
Produktionsdatum
- △ 6 CAVITY MARKING
Nestmarkierung
- 7 LOOSE PARTS PACKAGED IN CARTON
Verpackung, lose im Karton
- △ 8 CAVITY IDENTIFICATION
Kammerbezeichnung
- B1 9 INTERFACE 114-18642
Schnittstelle 114-18642
- B3 △ 10 CODING
Kodierungen
- B3 △ 11 ADDITIONAL RIPS ONLY FOR VERSION -3/-4
Zusätzliche Rippen nur fuer Variante -3/-4

B4

CAVITY NO.	ASS'Y PART-NO.	REV.	COD.	REMARK	POS.	QTY.	WEIGHT (g)	DESCRIPTION	MATERIAL	FINISH	COLOUR	TE-COUNTERPART	ITEM NO.
0	0-1452327-4	A	A	ALL CAVITIES CLOSED Alle Kammern geschlossen	2	1	8.5	SEAL Dichtung	MVQ SHORE 50 A	PBT- GF20	ORANGE	0-1452324-1/-2	8
					1	1							7
4	0-1452327-3	A	A	CAVITY 2 AND 5 CLOSED Kammer 2 und 5 geschlossen	2	1	9.0	SEAL Dichtung	MVQ SHORE 50 A	PBT- GF20	ORANGE	0-1452324-2	6
					3	1							5
4	0-1452327-2	B	A	CAVITY 2 AND 5 CLOSED Kammer 2 und 5 geschlossen	2	1	8.9	SEAL Dichtung	MVQ SHORE 50 A	PBT- GF20	ORANGE	0-1452324-2	4
					1	1							3
6	0-1452327-1	B	A	ALL CAVITIES OPEN (AS SHOWN) Alle Kammern offen (wie dargestellt)	2	1	9.0	SEAL Dichtung	MVQ SHORE 50 A	PBT- GF20	ORANGE	0-1452324-1	2
					1	1							1

TE ORDER NO	TE ORDER NO	WIRE RANGE	MATERIAL	FINISH	SINGLE WIRE
STRIP FORM	LOOSE PIECE	MM ²			SEAL NO
0-0964273-1	0-0964287-1	>1.0-2.5	CuFe 2	PRETINNED	0-0963292-1
0-0964286-1	0-0964285-1	0.5-1.0	CuFe 2	PRETINNED	0-0963293-1
0-0964282-1	0-0964281-1	0.2-0.5	CuFe 2	PRETINNED	0-0963294-1

THIS DRAWING IS A CONTROLLED DOCUMENT. DATE: 13 NOV 2007. CHG: S. Schenk. V. Bergmann. APVD: 14 NOV 2007.

TE Connectivity

JPT HOUSING, 4+6 POS., ASS'Y
JPT Gehäuse, 4+6 pos., ZSB

SIZE: A1 CAGE CODE: 00779 DRAWING NO: 1452327

SCALE: 5:1 SHEET: 1 OF 1 REV: B4

X-ON Electronics

Largest Supplier of Electrical and Electronic Components

Click to view similar products for [Automotive Connectors](#) category:

Click to view products by [TE Connectivity](#) manufacturer:

Other Similar products are found below :

[003-018-000](#) [600858](#) [60403001](#) [60993906-B](#) [60993913-B](#) [629515004020001](#) [M83723/71R1808N L/C](#) [M902-2131](#) [M902-2161](#) [M902-2344](#)
[72.330.1035.1](#) [73.353.4028.0](#) [F118010](#) [F119300-B](#) [F132210](#) [F166900](#) [F180100](#) [F258300](#) [F258300-B](#) [F294300-B](#) [F339100](#) [F339700](#)
[F358300-B](#) [F374110](#) [F407400](#) [F412210](#) [F444110](#) [F487000](#) [F495100](#) [F500900-B](#) [F509500B-B](#) [770444-1](#) [827153-1](#) [881735-1](#)
[8N1515-32-24P](#) [9-1326729-8](#) [925467-1](#) [925474-1](#) [928905-1](#) [936398-2](#) [964562-4](#) [964731-2](#) [968782-1](#) [GT17SA-8DS-HU](#) [GT17VS-10DP-](#)
[5.2CF](#) [98315-0001](#) [98315-0010](#) [98891-1012](#) [98895-2014](#) [98936-1039](#)