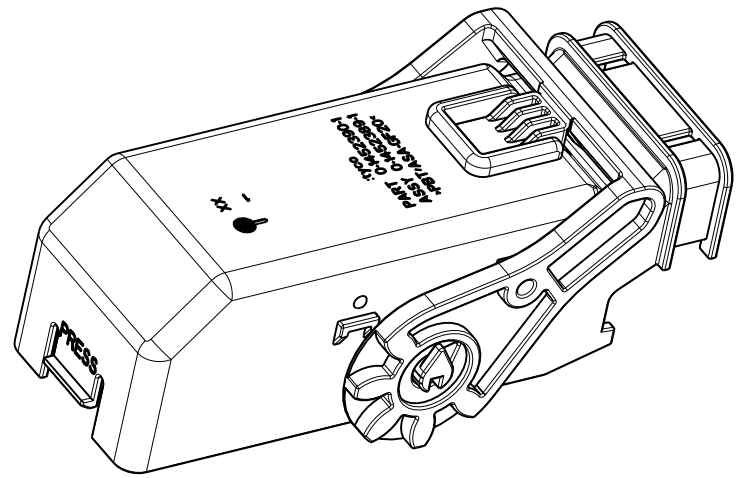
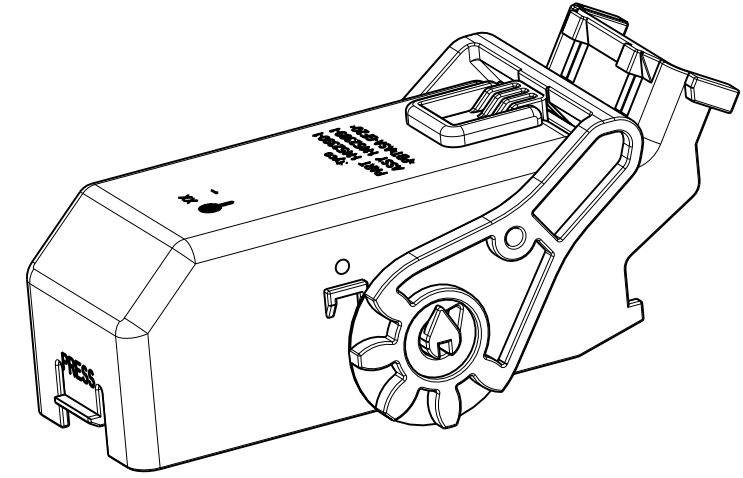
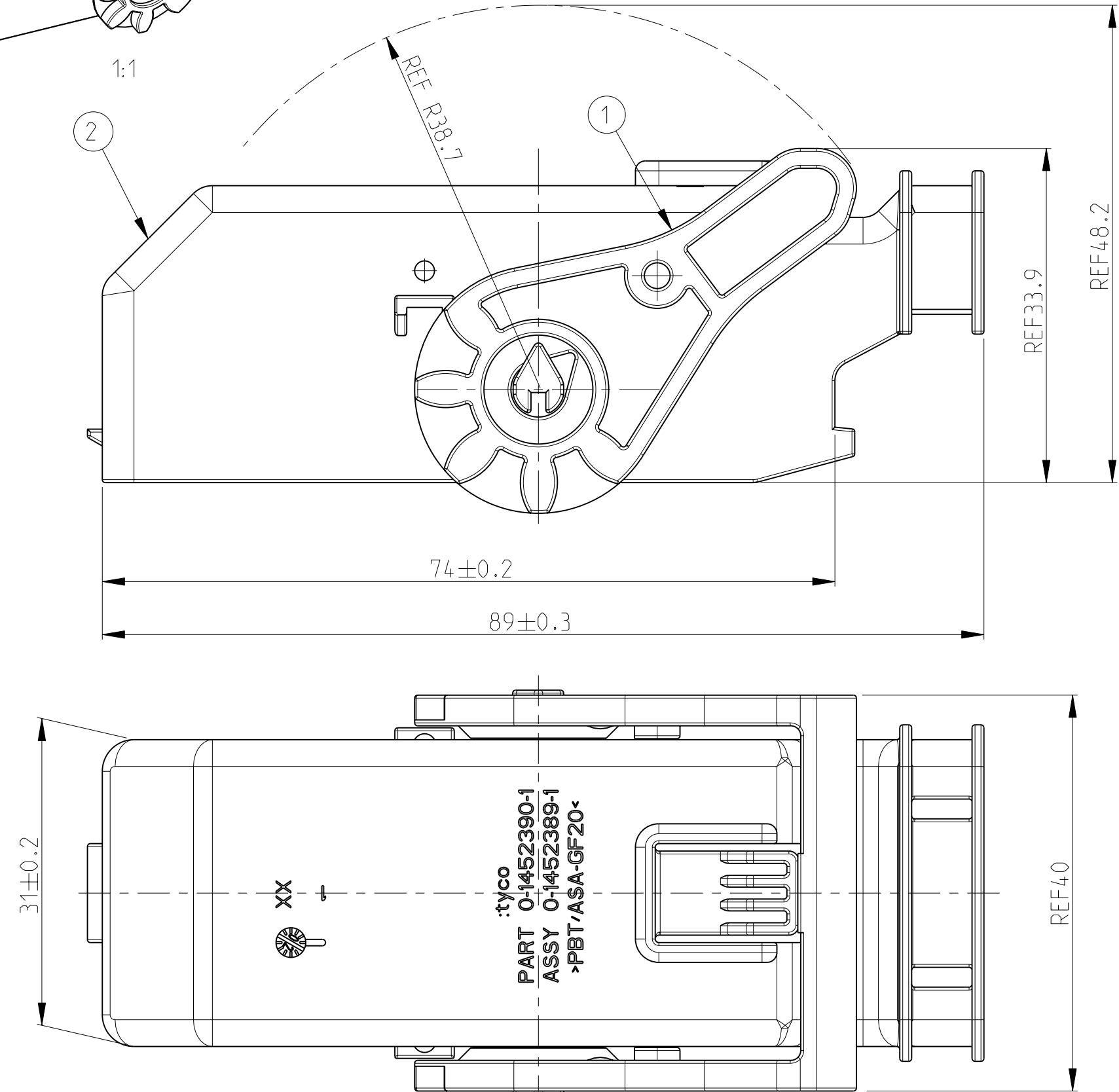


THIS DRAWING IS UNPUBLISHED.
 VERTRAULICHE UNVERÖFFENTLICHTE ZEICHNUNG
 RELEASED FOR PUBLICATION
 FREI FUER VERÖFFENTLICHUNG
 2002
 MATED WITH:
 PASSEND ZU:
 © COPYRIGHT 2002 BY TYCO ELECTRONICS CORPORATION. ALL RIGHTS RESERVED.
 ALLE RECHTE VORBEHALTEN

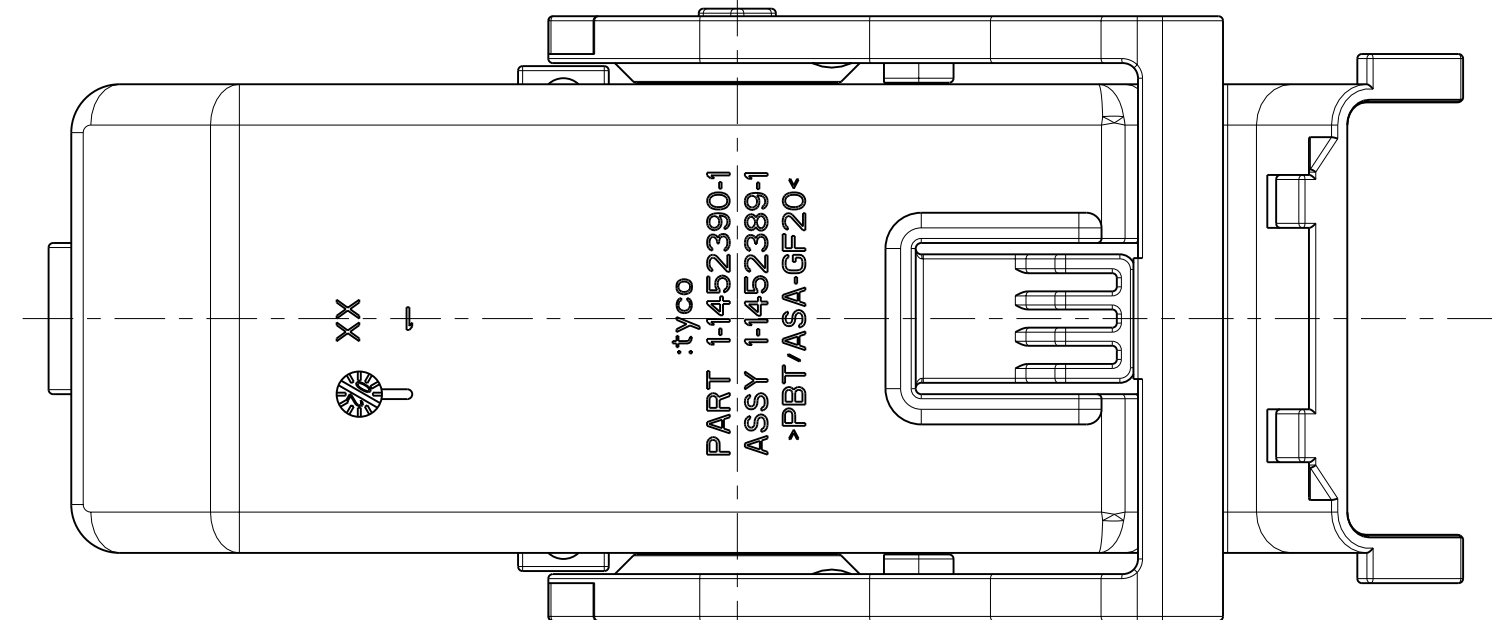
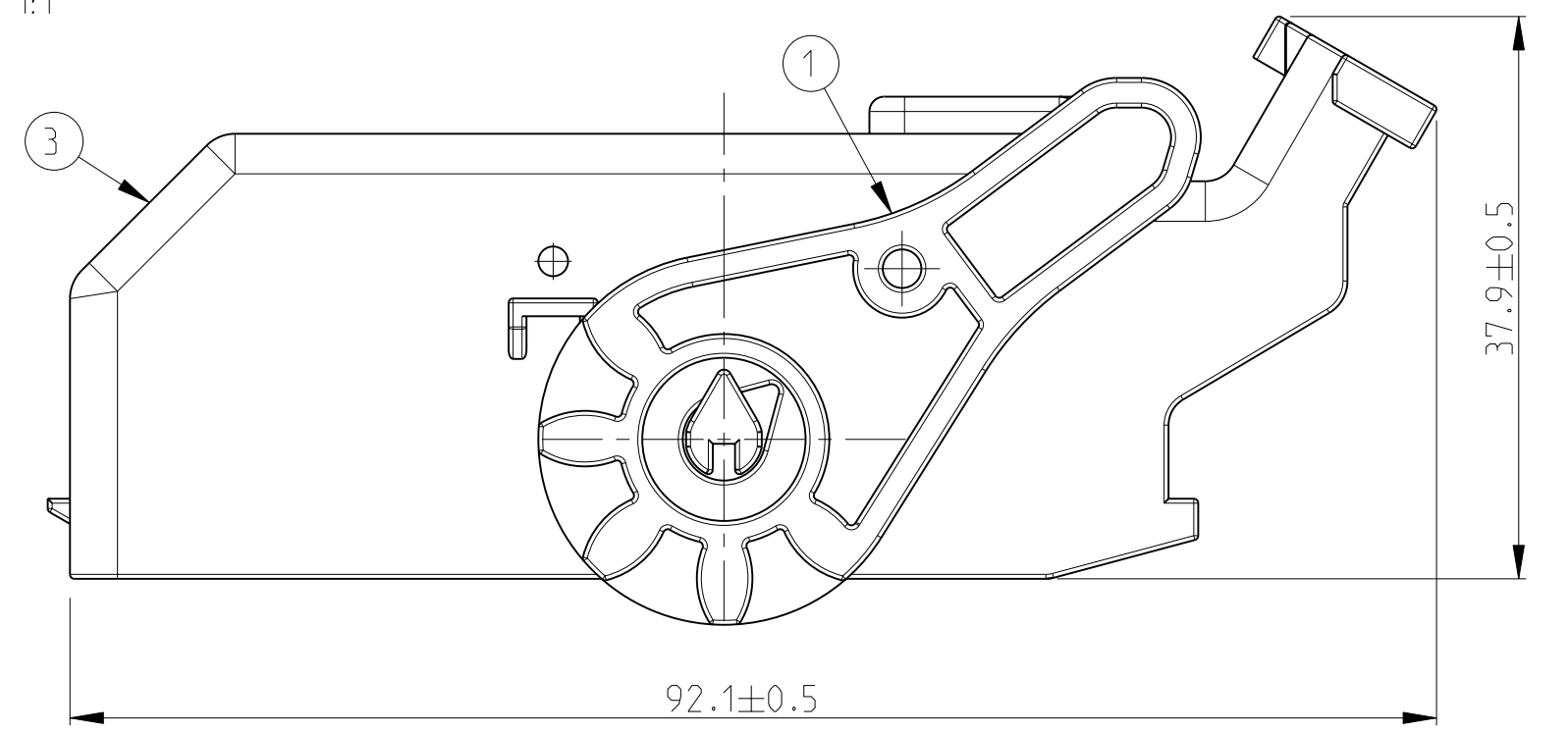
| LOC | DIST | REVISIONS | | | | | |
|--------------|------|-----------|---------------|-------------|-----------|-----|------|
| A1 | - | P | LTR | DESCRIPTION | DATE | DWN | APVD |
| PROJEKT NR.: | | B | EG00-4163-02 | | 21JAN2003 | GP | GM |
| | | C | EG00-0248-03 | | 13FEB2003 | GP | GM |
| | | D | EGA0-0850-03 | | 05DEC2003 | GP | GM |
| | | D1 | ECR 09-008099 | | 09APR2009 | HKE | ASC |



VERSION 90°
0-1452389-1



VERSION 150°
1-1452389-1



| MATED WITH verwendet mit | 1563173 | 1563173 | | | | | | |
|-----------------------------|-------------------|-------------------|-----------------------------|-----|-------------------------|--------|---------|--|
| | 1452380 | 1452380 | | | | | | |
| | 1452419 | 1452419 | | | | | | |
| | 1x | | PBT/ASA-GF20 | D | 96 POS. CON. COVER 150° | BLACK | 3 | |
| | | 1x | PBT/ASA-GF20 | D | 96 POS. CON. COVER 90° | BLACK | 2 | |
| | 1x | 1x | PBT-GF20 | B | 96 POS. CON. LEVER | RED | 1 | |
| | 1-1452389-1 | 0-1452389-1 | MATERIAL | REV | DESCRIPTION | COLOUR | ITEM NO | |
| | 20.7 | 20.7 | WEIGHT OF EACH ASSY. NO (g) | | | | | |
| | QTY REQD PER ASSY | QTY REQD PER ASSY | PARTS LIST | | | | | |

NOTE:
 Bemerkungen:
 1 ASSY DELIVERED WITH LEVER IN ENDOCKED POSITION
 Anlieferungszustand: Hebel in Endraststellung

| | | | | |
|---|--|---|--|---|
| <small>THIS DRAWING IS A CONTROLLED DOCUMENT FOR TYCO ELECTRONICS CORPORATION. IT IS SUBJECT TO CHANGE AND THE CONTROLLING ENGINEERING ORGANIZATION SHOULD BE CONTACTED FOR THE LATEST REVISION. DIESES ZEICHNUNGSDOKUMENT WIRD DURCH AMP INCORPORATED KONTROLLIERT. ANDERÄNDERUNGEN, DIE DEM TECHNISCHEN FORTSCHRITT DIENEN, SIND VORBEHALTEN. DEN JEWELIS LETZTGÜLTIGEN ÄNDERUNGSSTAND ERFAHREN SIE AUF ANFRAGE.</small> | | DWN K.ROTH 12MAR2002 | Tyco Electronics AMP GmbH D - 64625 Bensheim | |
| <small>DIMENSIONS: MASSEINHEITEN: [mm]</small> | | CHK S.DENTER 12MAR2002 | NAME 96 POS. CONNECTOR COVER ASSY. FOR 154 POS. CON. | |
| <small>TOLERANCES UNLESS OTHERWISE SPECIFIED: ALLGEMEINTOLERANZEN</small> | | APVD G.MUMPER 12MAR2002 | SIZE A2 | |
| <small>0 PLC ± 1 PLC ± 2 PLC ± 3 PLC ± 4 PLC ± ANGLES/WINKEL ±° FINISH/OBERFLÄCHE/FARBE</small> | | PRODUCT SPEC - APPLICATION SPEC VERARBEITUNGSSPEZ. 114-18534-1 | CAGE CODE 00779 | DRAWING NO. ZEICHNUNGS-NR. 1452389 |
| MATERIAL - | | WEIGHT GEWICHT - | RESTRICTED TO NUR FUER - | SCALE MASSSTAB 5:1 |
| CUSTOMER DRAWING | | /KUNDENZEICHNUNG | | SHEET BLATT 1 OF VON 1 |
| | | | | REV. 01 |

X-ON Electronics

Largest Supplier of Electrical and Electronic Components

Click to view similar products for [Automotive Connectors](#) category:

Click to view products by [TE Connectivity](#) manufacturer:

Other Similar products are found below :

[003-018-000](#) [60403001](#) [60993906-B](#) [M902-2131](#) [M902-2161](#) [72.330.1035.1](#) [73.353.4028.0](#) [F119300-B](#) [F166900](#) [F258300-B](#) [F358300-B](#)
[F407400](#) [F444110](#) [F487000](#) [F509500B-B](#) [827153-1](#) [8N1515-32-24P](#) [9-1326729-8](#) [925474-1](#) [928905-1](#) [964562-4](#) [968782-1](#) [GT17SA-8DS-](#)
[HU](#) [98891-1012](#) [98947-1016](#) [12004147](#) [12004475-L](#) [12010290](#) [12010309-B](#) [12015454](#) [12020219-B](#) [12020308](#) [12041318-B](#) [12052225-L](#)
[12052466](#) [12059125](#) [12064869](#) [12004327-B](#) [12010503-B](#) [12015308](#) [12015384](#) [12015909](#) [1-21030-1](#) [12041254](#) [12041318](#) [12047946-B](#)
[12047957](#) [12047957-L](#) [12059473](#) [12066261](#)