

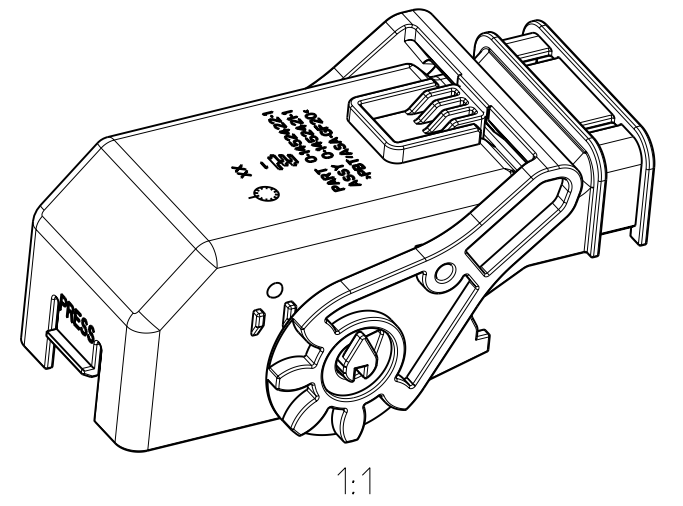
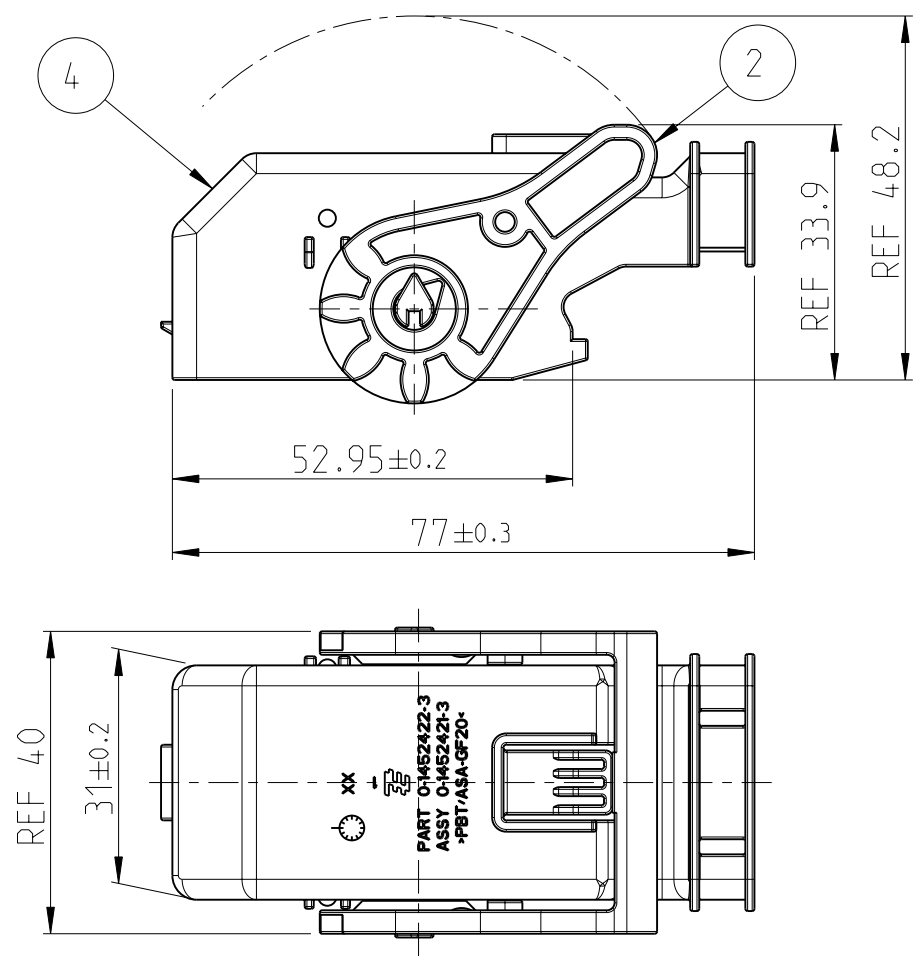
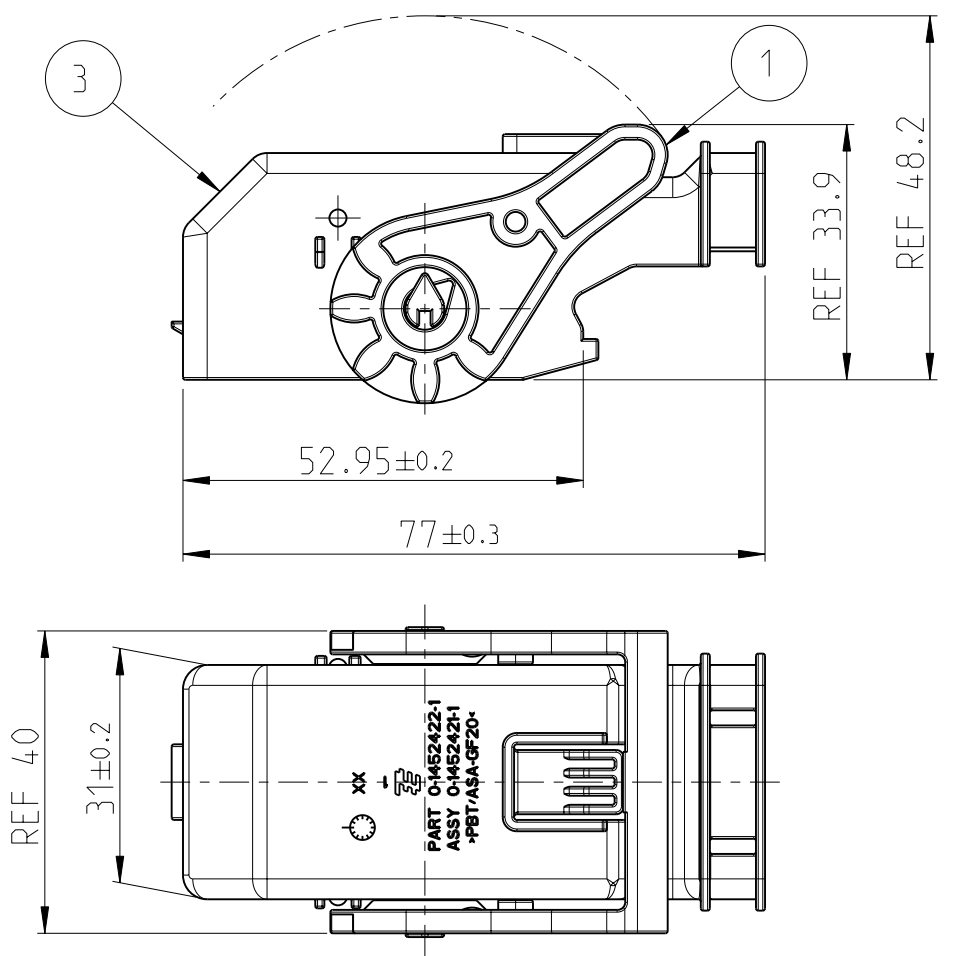
THIS DRAWING IS UNPUBLISHED
 RELEASED FOR PUBLICATION
 2002
 © COPYRIGHT 2002 BY TYCO ELECTRONICS CORPORATION. ALL RIGHTS RESERVED.

LOC AI
 DIST -

REVISIONS					
P	LTR	DESCRIPTION	DATE	DWN	APVD
D		EGA0-0850-03	20JAN2004	GP	GM
E		ECR-06-008012	03APR2006	GP	GM
E1		ECR-09-008099	09APR2009	HKE	ASC
E2		ECR-10-016065	20JUL2010	GP	GM

0-1452421-1

0-1452421-3



NOTES:
 Bemerkungen:

- 1 ASSY DELIVERED WITH LEVER IN ENDOCKED POSITION
 Anlieferungszustand: Lever in Endraststellung

MATED WITH verwendet mit	1563172 1452415	1563172 1452415				
	1x		PBT/ASA-GF20	58 POS. CON. COVER	BLACK	4
		1x	PBT/ASA-GF20	58 POS. CON. COVER	BLACK	3
	1x		PBT-GF20	96 POS. LEVER	GREY	2
		1x	PBT-GF20	96 POS. LEVER	RED	1
	0-1452421-3	0-1452421-1	MATERIAL	DESCRIPTION	COLOUR	ITEM NO
	18.3	18.3	WEIGHT OF EACH ASSY. NO [g]			
	QTY REQD PER ASSY		PARTS LIST			

<small>THIS DRAWING IS A CONTROLLED DOCUMENT FOR TYCO ELECTRONICS CORPORATION IT IS SUBJECT TO CHANGE AND THE CONTROLLING ENGINEERING ORGANIZATION SHOULD BE CONTACTED FOR THE LATEST REVISION.</small>		DWN S. DENTER 27MAY2002 CHK G. PUCKEL 27MAY2002 APVD G. MUMPER 27MAY2002 PRODUCT SPEC - APPLICATION SPEC 114-18534-1 WEIGHT -	Tyco Electronics AMP GmbH D - 64625 Bensheim
DIMENSIONS: mm 	TOLERANCES UNLESS OTHERWISE SPECIFIED: 0 PLC ±- 1 PLC ±- 2 PLC ±- 3 PLC ±- 4 PLC ±- ANGLES ±2 MATERIAL - FINISH -	NAME 58 POS. CONNECTOR COVER 90 ASSY FOR 154 POS. CONNECTOR SIZE A3 CAGE CODE 00779 DRAWING NO C-1452421 RESTRICTED TO -	
CUSTOMER DRAWING		SCALE 1:1	SHEET 1 OF 1 REV E2

X-ON Electronics

Largest Supplier of Electrical and Electronic Components

Click to view similar products for [Automotive Connectors](#) category:

Click to view products by [TE Connectivity](#) manufacturer:

Other Similar products are found below :

[003-018-000](#) [60403001](#) [60993906-B](#) [M902-2131](#) [M902-2161](#) [72.330.1035.1](#) [73.353.4028.0](#) [F119300-B](#) [F166900](#) [F258300-B](#) [F358300-B](#)
[F407400](#) [F444110](#) [F487000](#) [F509500B-B](#) [827153-1](#) [8N1515-32-24P](#) [9-1326729-8](#) [925474-1](#) [928905-1](#) [964562-4](#) [968782-1](#) [GT17SA-8DS-](#)
[HU](#) [98891-1012](#) [98947-1016](#) [12004147](#) [12004475-L](#) [12010290](#) [12010309-B](#) [12015454](#) [12020219-B](#) [12020308](#) [12041318-B](#) [12052225-L](#)
[12052466](#) [12059125](#) [12064869](#) [12004327-B](#) [12010503-B](#) [12015308](#) [12015384](#) [12015909](#) [1-21030-1](#) [12041254](#) [12041318](#) [12047946-B](#)
[12047957](#) [12047957-L](#) [12059473](#) [12066261](#)