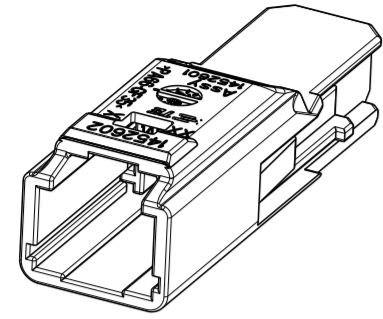
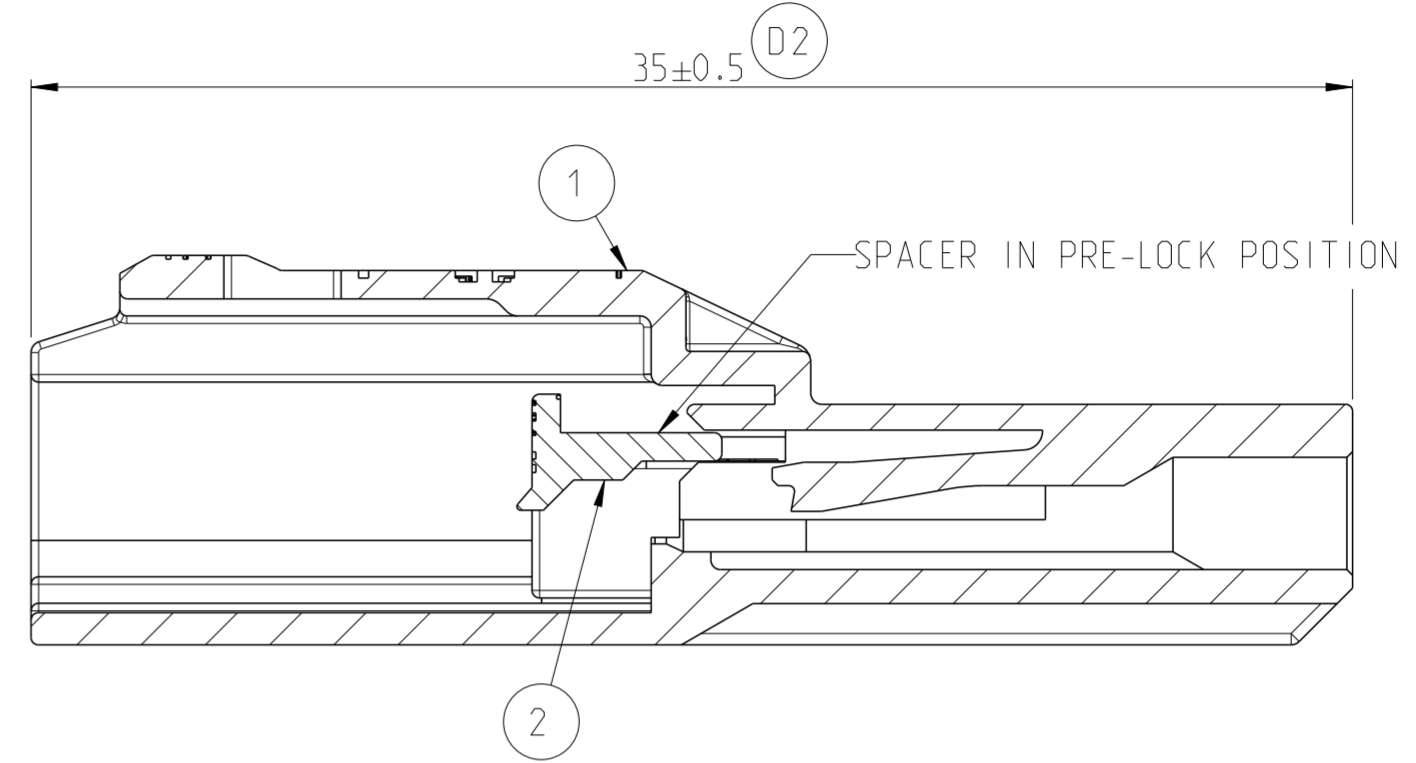
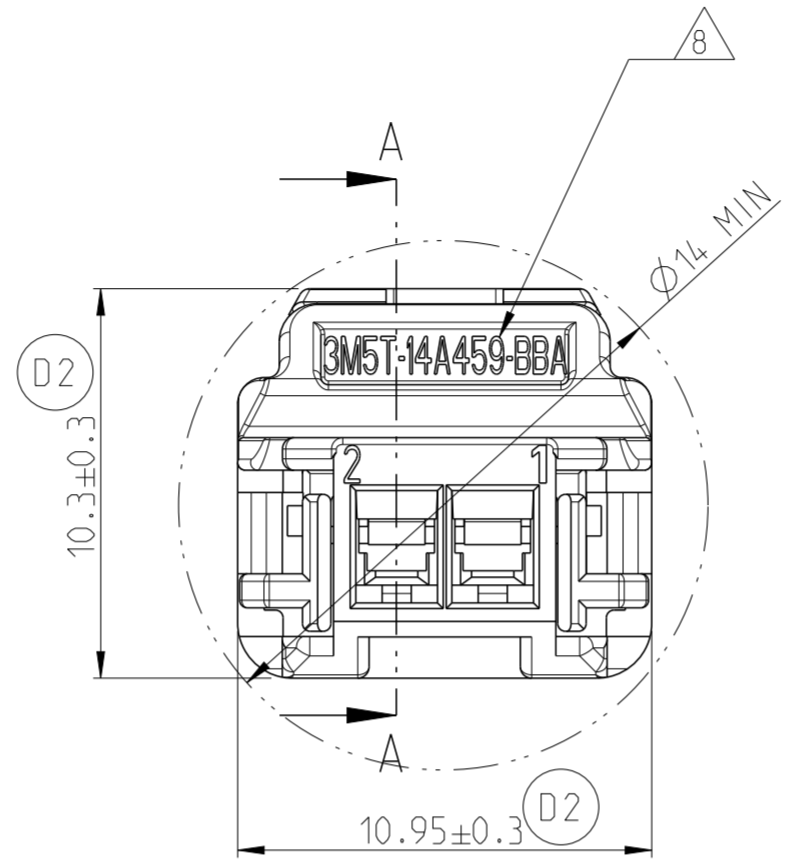
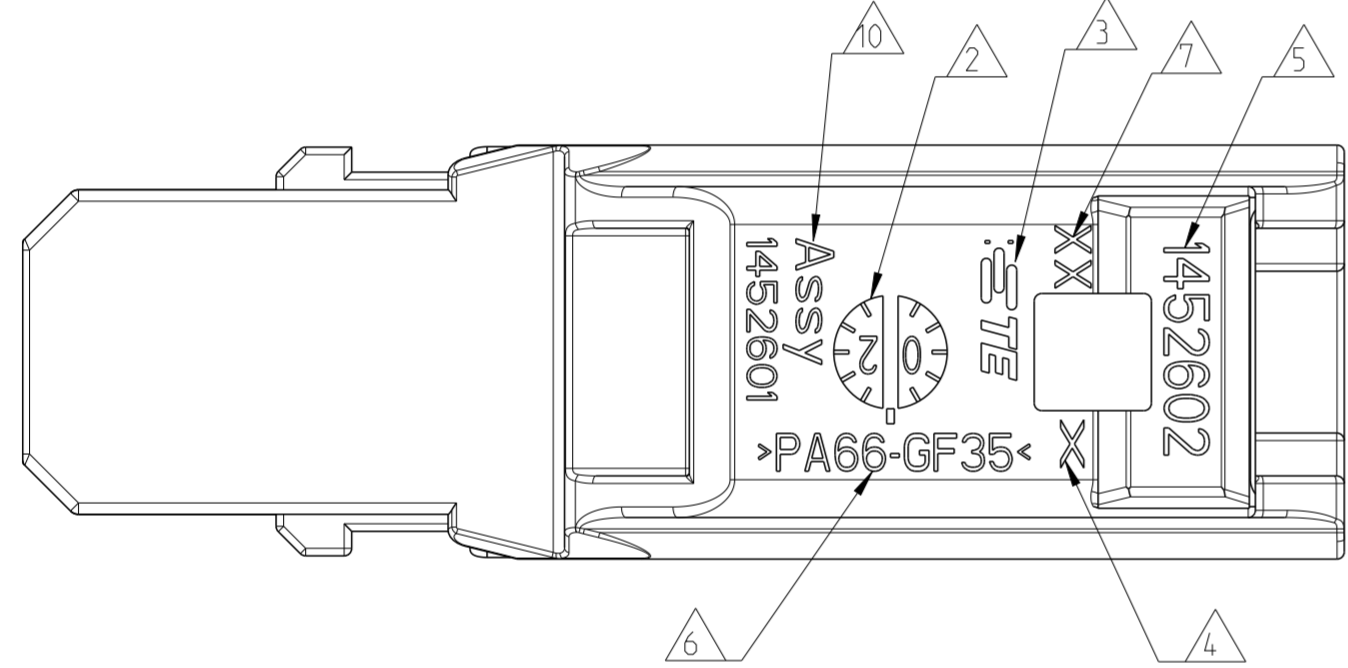
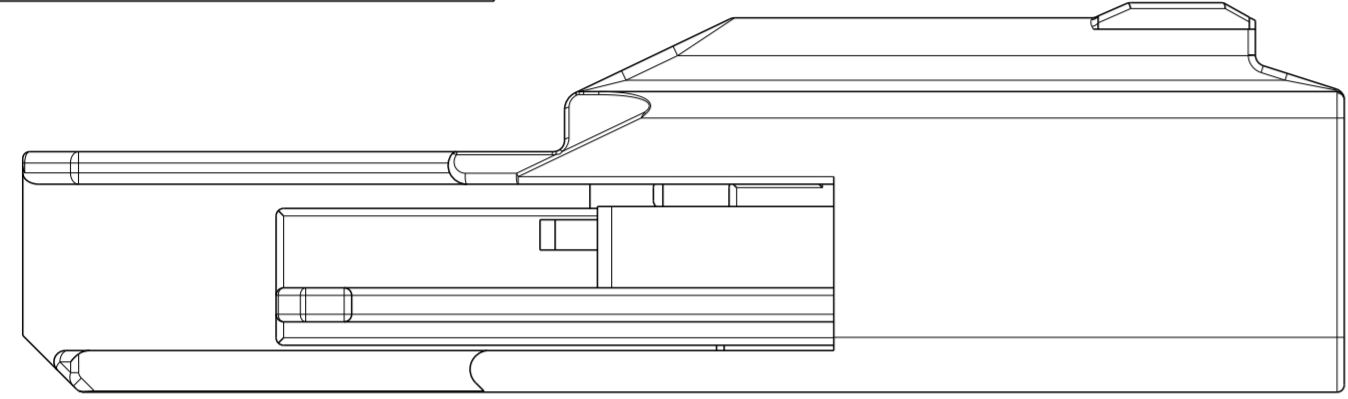


THIS DRAWING IS UNPUBLISHED. RELEASED FOR PUBLICATION 2002
 © COPYRIGHT 2002 BY - ALL RIGHTS RESERVED.

A-A		REVISIONS			
P	LTR	DESCRIPTION	DATE	DWN	APVD
D		SEE ECR-07-000103	04 JAN2007	HM	GS
D1		SEE ECR-17-016175	02NOV2017	KC	PT
D2		SEE ECR-19-001827	04FEB2019	KC	PT



SCALE 2:1

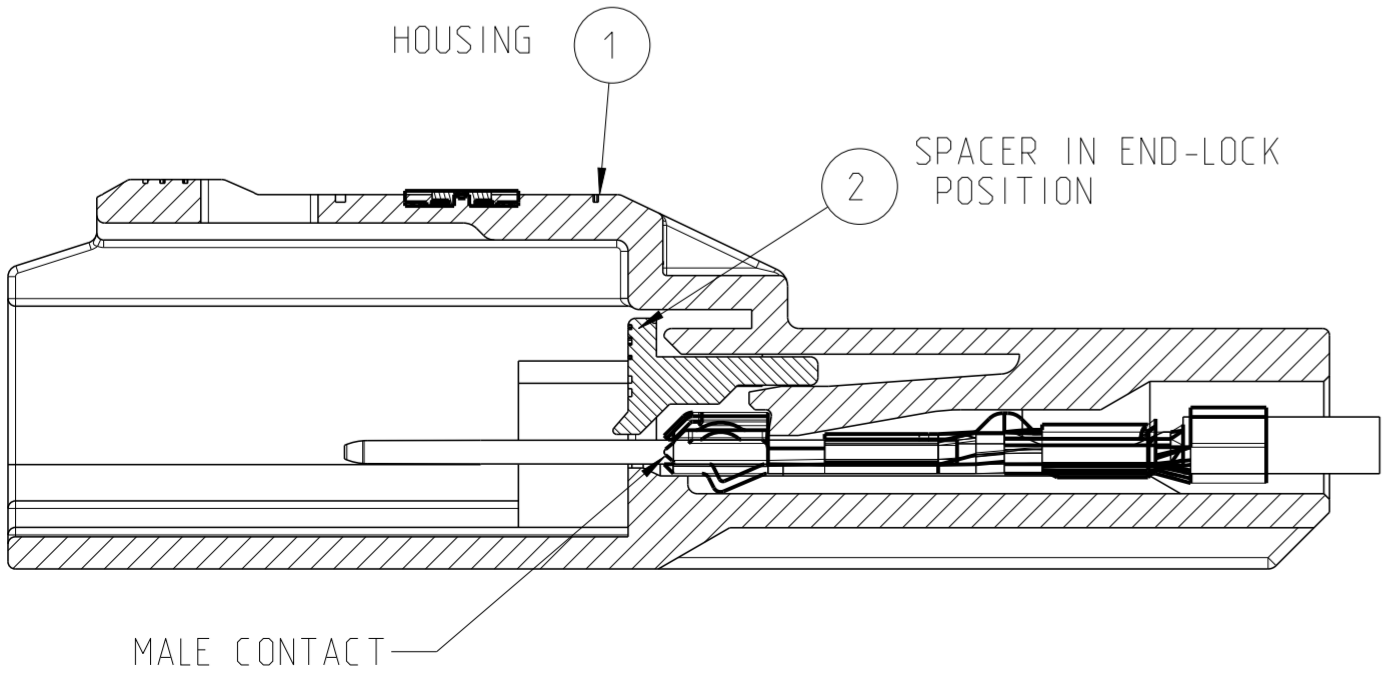


NOTES:
Bemerkungen:

- 1 DELIVERY CONDITION: SPACER IN PRE-INSTALLED POSITION
Lieferbedingungen: Spacer in Vorraststellung
- 2 PRODUCTION-DATE HOUSING
Produktionsdatum Gehäuse
- 3 TYCO-LOGO
Tyco-Logo
- 4 CAVITY MARKING
Nestmarkierung
- 5 TYCO-PART NUMBER HOUSING
Tyco-Teile Nummer Gehäuse
- 6 MATERIAL IDENTIFICATION
Werkstoffkennzeichnung
- 7 PRODUCT REVISION LEVEL HOUSING
Gehäuse-Änderungsindex
- 8 TYCO-ASSEMBLY NUMBER
Tyco-Assemblage-Nummer
- 9 BULK PACKAGE
Verpackung: Schuetztgut
- 10 TE-ASSY NO:
TE-Assy Nr.:

THE CONTACT IS NOT A PART OF THE DELIVERY ASSY.

APPLICABLE MALE-CONTACTS tyco-PN
3-1419158-1
1-1419158-6
2-1419158-3
2-1419158-5



0-1452601-1	D	1x	0-1452603-1	SPACER	PBT-GF30	RED	2
		1x	0-1452602-1	MALE HOUSING	PA66-GF35	Black	1
			PART NO	DESCRIPTION	MATERIAL	COLOUR	ITEM NO
ASSY PART NO	ASSY. REV.	REVISION OF EACH ASSY NO (WHEN BLANK, USE DWG REVISION)					
QTY REQD PER ASSY		PARTS LIST					

THIS DRAWING IS A CONTROLLED DOCUMENT.		DWN K.ROTH 21JUN2002	TE Connectivity			
DIMENSIONS: mm		CHK G.STEINBACH 10JUL2002				
TOLERANCES UNLESS OTHERWISE SPECIFIED:		APVD G.MUMPER 01AUG2002				
0 PLC ± 1 PLC ± 2 PLC ± 3 PLC ± 4 PLC ± ANGLES ±° FINISH -		PRODUCT SPEC - APPLICATION SPEC - WEIGHT -	NAME 1X2 POS. GET MALE HOUSING ASSEMBLY UNSEALED			
MATERIAL -		RESTRICTED CUSTOMER	SIZE A2	CAGE CODE 100779	DRAWING NO C-1452601	RESTRICTED TO
		SCALE 5:1	SHEET 1 OF 1	REV D2		

X-ON Electronics

Largest Supplier of Electrical and Electronic Components

Click to view similar products for [Automotive Connectors](#) category:

Click to view products by [TE Connectivity](#) manufacturer:

Other Similar products are found below :

[003-018-000](#) [60403001](#) [60993906-B](#) [M902-2131](#) [M902-2161](#) [M902-2344](#) [72.330.1035.1](#) [73.353.4028.0](#) [F119300-B](#) [F166900](#) [F258300-B](#)
[F358300-B](#) [F407400](#) [F444110](#) [F487000](#) [F509500B-B](#) [827153-1](#) [8N1515-32-24P](#) [9-1326729-8](#) [925474-1](#) [928905-1](#) [964562-4](#) [968782-1](#)
[GT17SA-8DS-HU](#) [98891-1012](#) [98947-1016](#) [12004147](#) [12004475-L](#) [12010290](#) [12015454](#) [12020219-B](#) [12041318-B](#) [12052225-L](#) [12052466](#)
[12064869](#) [12004327-B](#) [12015308](#) [12015384](#) [12015909](#) [1-21030-1](#) [12041254](#) [12041318](#) [12047946-B](#) [12047957](#) [12047957-L](#) [12059473](#)
[12066261](#) [12110546](#) [12110546-B](#) [12131792](#)