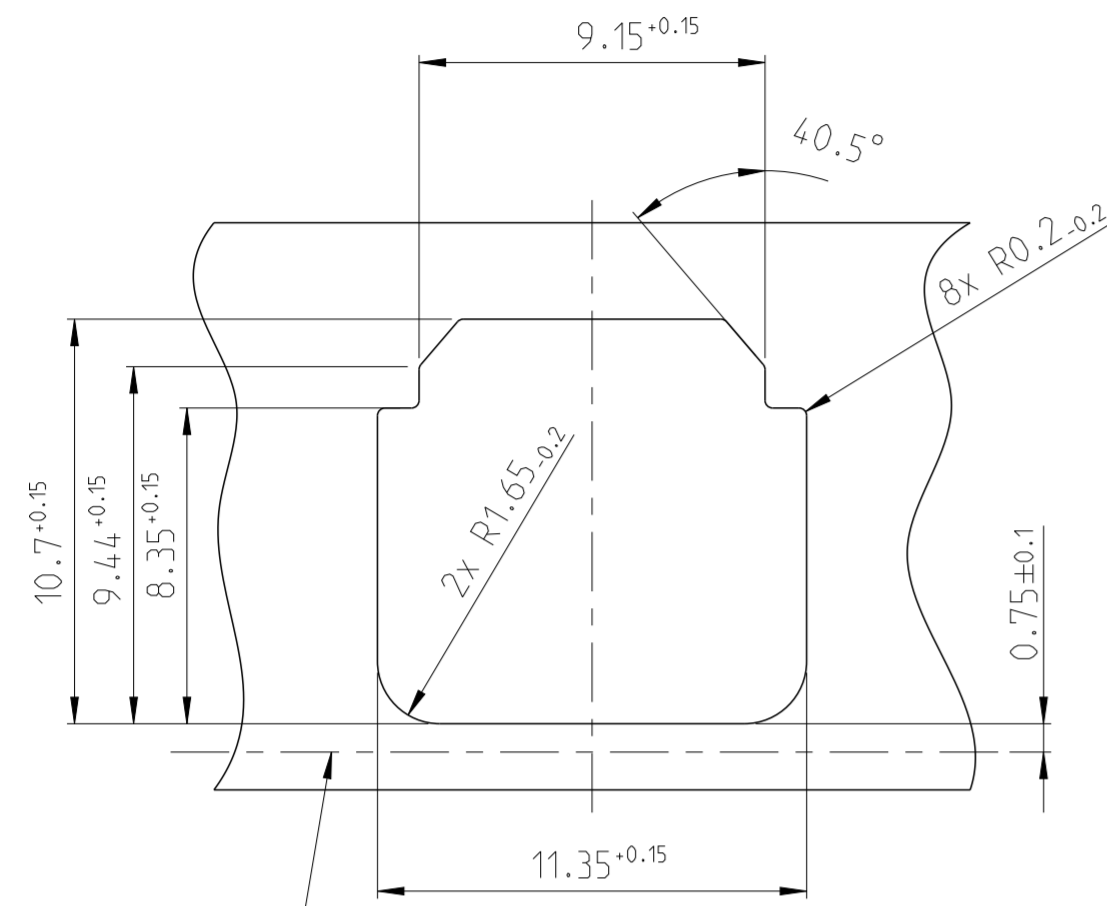


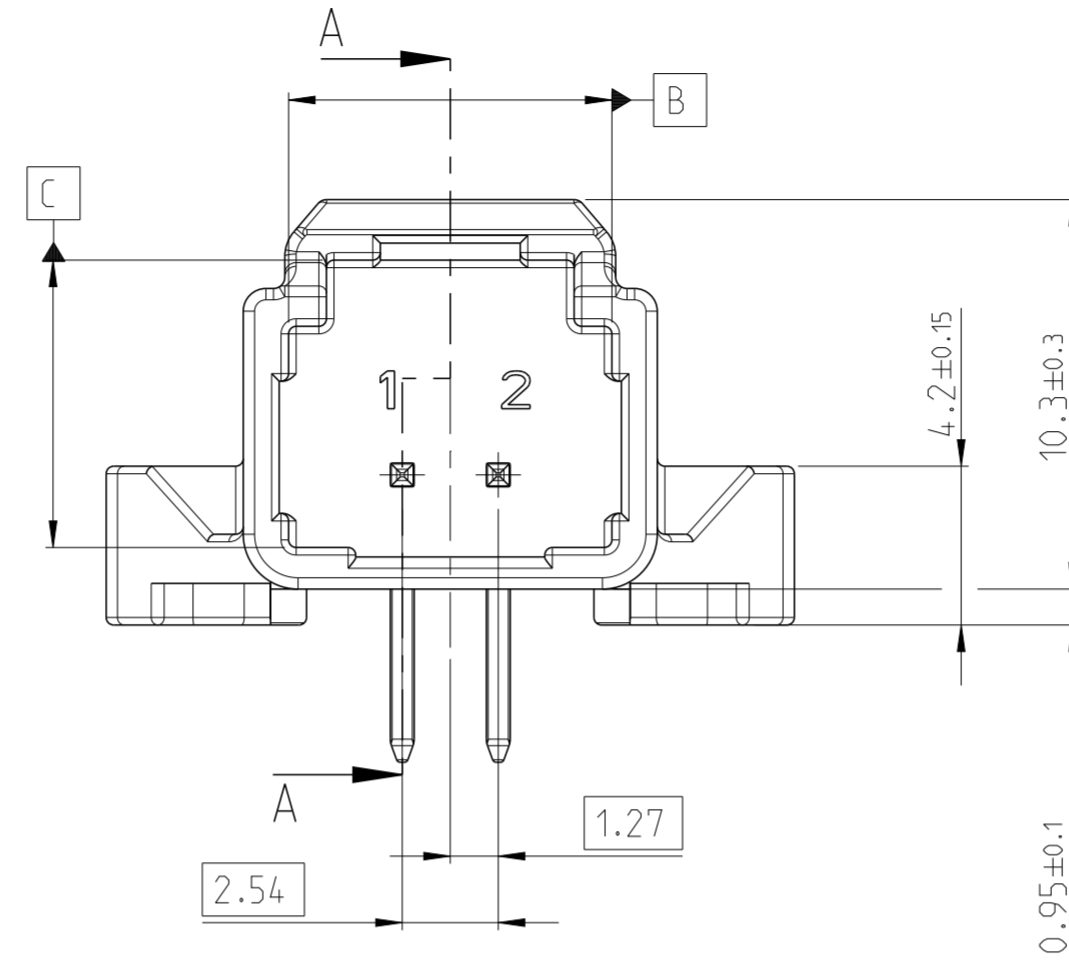
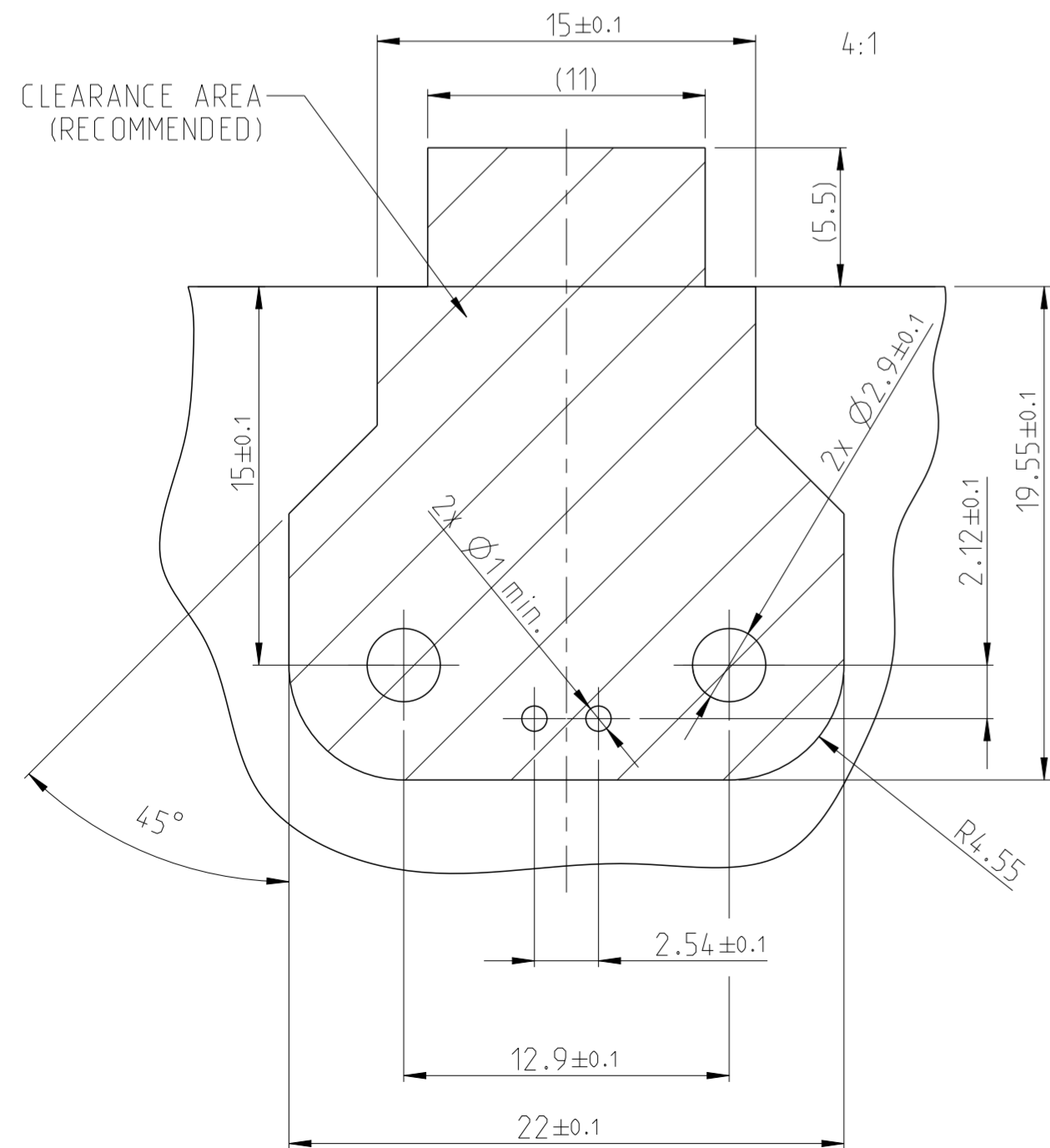
REVISIONS					
P	LTR	DESCRIPTION	DATE	DWN	APVD
A2		SEE PCN: EG00-1138-03-1	28MAR2003	MD	GS
A3		DRAWING UPDATE. SEE EGA0-2083-04	16SEP2004	HM	GS
A4		SECTION B-B NEW ADDED	29APR2005	HM	GS
A5		SEE PCN-E-14-006071	28APR2014	SS	GS

RECOMMENDED FRONTPANEL CUTOUT  
 (FOR INDICATED AREA ONLY) 1

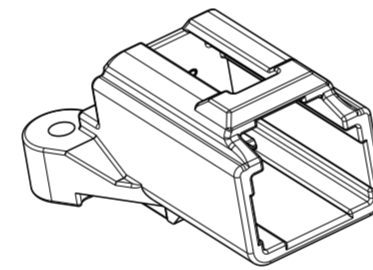


PCB CONNECTOR SIDE

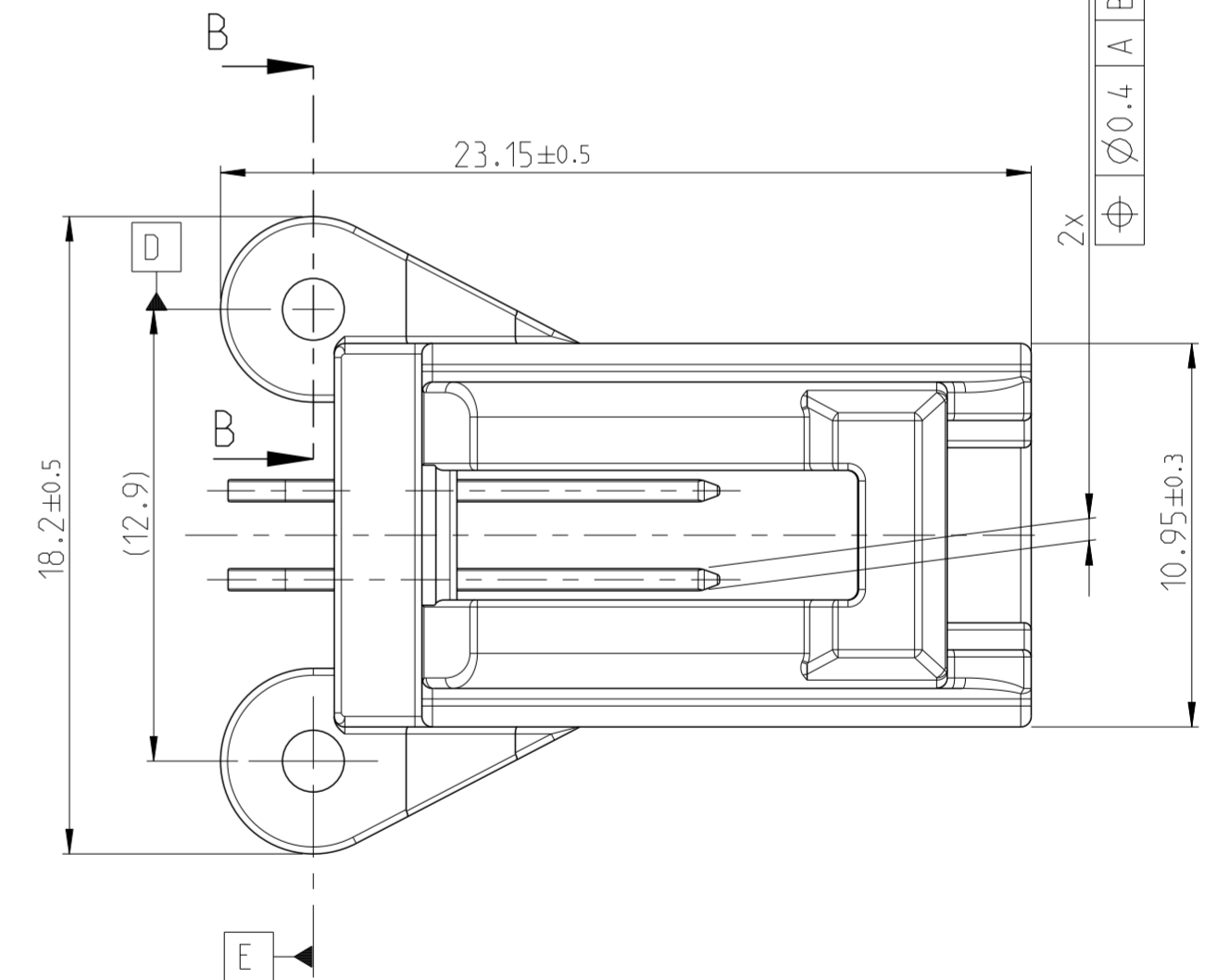
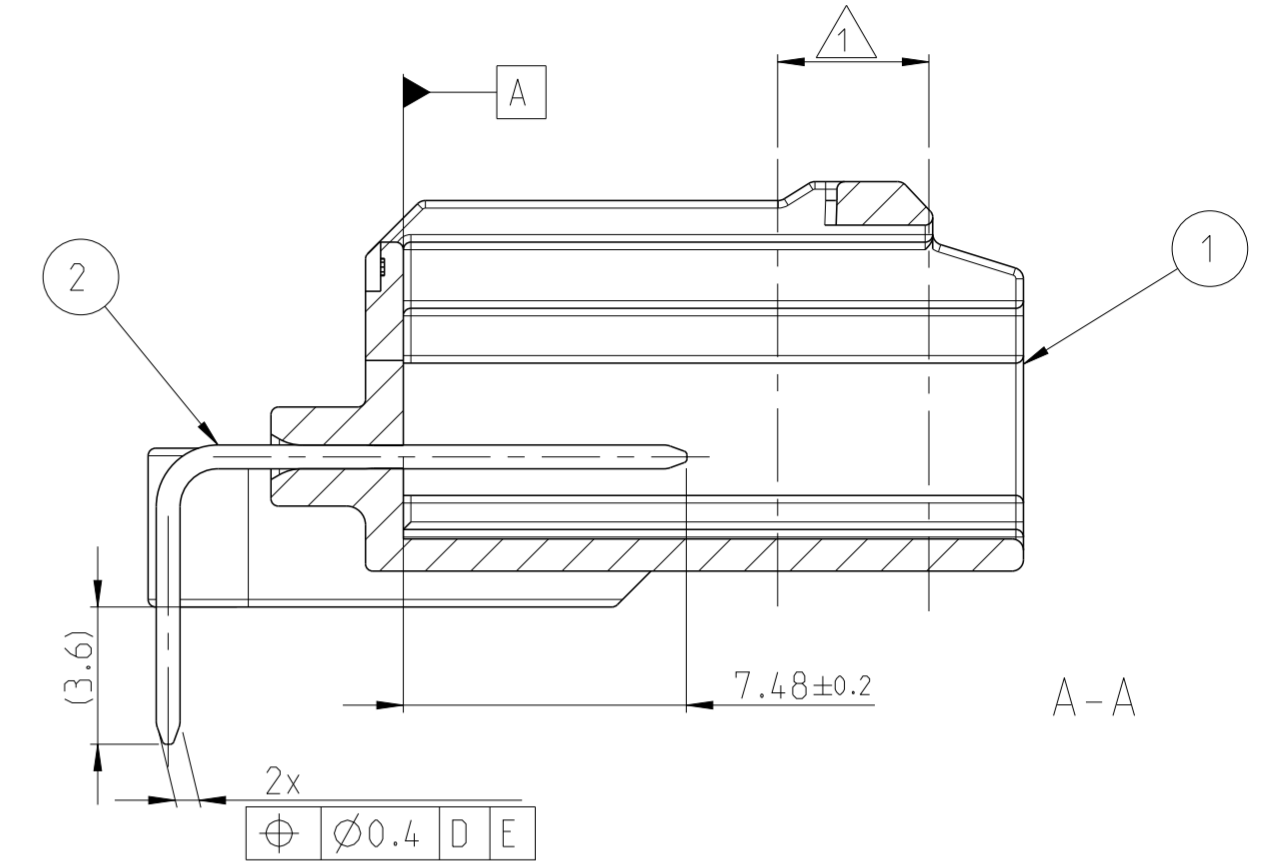
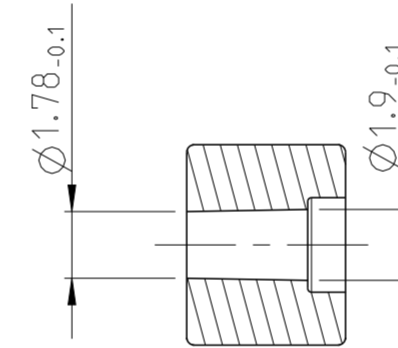
RECOMMENDED PCB LAYOUT  
 (SHOWN FROM CONNECTOR SIDE)



B-B



2:1



NOTES :

- RECOMMENDED MOUNTING SCREW:  
DIAMETER FOR PA-MATERIAL: 2.5mm NOMINAL
- ALL SYMMETRIC DIMENSIONS  $\pm 0.05 \text{ (M)}$   $\pm 0.05 \text{ (C)}$
- BULK PACKAGING IN CORRUGATED SHIPPING BOX A5
- ALTERNATIVE MATERIAL A5

REV.	TE ORDER-NUMBER	QTY	ITEM	DESCRIPTION	MATERIAL	COLOR/FINISH
A	1452625-1					
2	2	CONTACT PIN	CuFe	TIN		
1	1	2 POS. HOUSING.	PA66	BLACK		
<span style="border: 1px solid black; padding: 2px;">1</span>	1	2 POS. HOUSING.	PA66	BLACK (BY MASTER BATCH)		

THIS DRAWING IS A CONTROLLED DOCUMENT.

DWN M. DAUBER 03JUL2002  
 CHK G. STEINBACH 07NOV2002  
 APVD -



DIMENSIONS: mm

TOLERANCES UNLESS OTHERWISE SPECIFIED:	
0 PLC	±
1 PLC	±
2 PLC	±
3 PLC	±
4 PLC	±
ANGLES	±
FINISH	±

PRODUCT SPEC -

APPLICATION SPEC -

WEIGHT -

Customer Drawing

NAME: 2 POS. GET HEADER 90 DEG. VERSION

SIZE: A2 CAGE CODE: 00779 DRAWING NO: C-1452625 RESTRICTED TO: -

SCALE: 5:1 SHEET: 1 OF 1 REV: A5

## X-ON Electronics

Largest Supplier of Electrical and Electronic Components

*Click to view similar products for [Automotive Connectors](#) category:*

*Click to view products by [TE Connectivity](#) manufacturer:*

Other Similar products are found below :

[003-018-000](#) [60403001](#) [60993906-B](#) [M902-2131](#) [M902-2161](#) [72.330.1035.1](#) [73.353.4028.0](#) [F119300-B](#) [F166900](#) [F258300-B](#) [F358300-B](#)  
[F407400](#) [F444110](#) [F487000](#) [F509500B-B](#) [827153-1](#) [8N1515-32-24P](#) [9-1326729-8](#) [925474-1](#) [928905-1](#) [964562-4](#) [968782-1](#) [GT17SA-8DS-](#)  
[HU](#) [98891-1012](#) [98947-1016](#) [12004147](#) [12004475-L](#) [12010290](#) [12010309-B](#) [12015454](#) [12020219-B](#) [12020308](#) [12041318-B](#) [12052225-L](#)  
[12052466](#) [12059125](#) [12064869](#) [12004327-B](#) [12010503-B](#) [12015308](#) [12015384](#) [12015909](#) [1-21030-1](#) [12041254](#) [12041318](#) [12047946-B](#)  
[12047957](#) [12047957-L](#) [12059473](#) [12066261](#)