

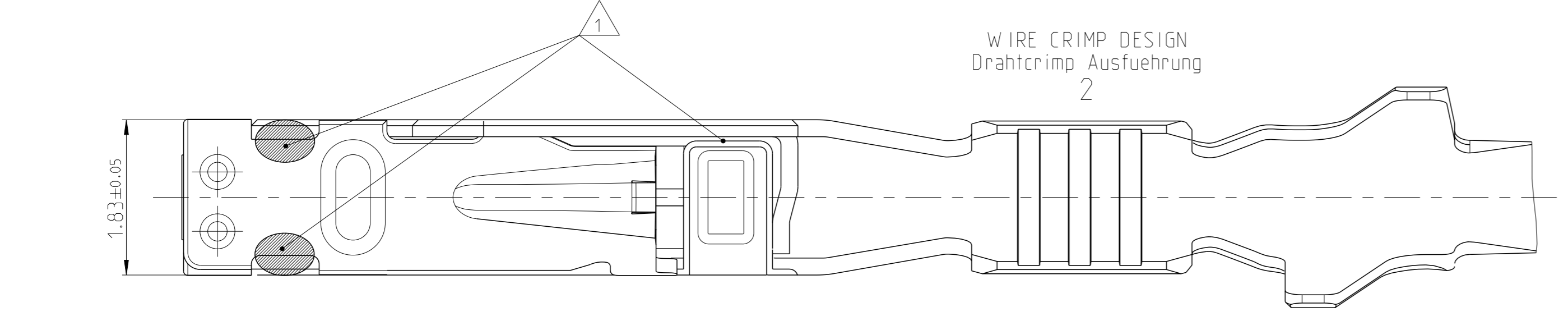
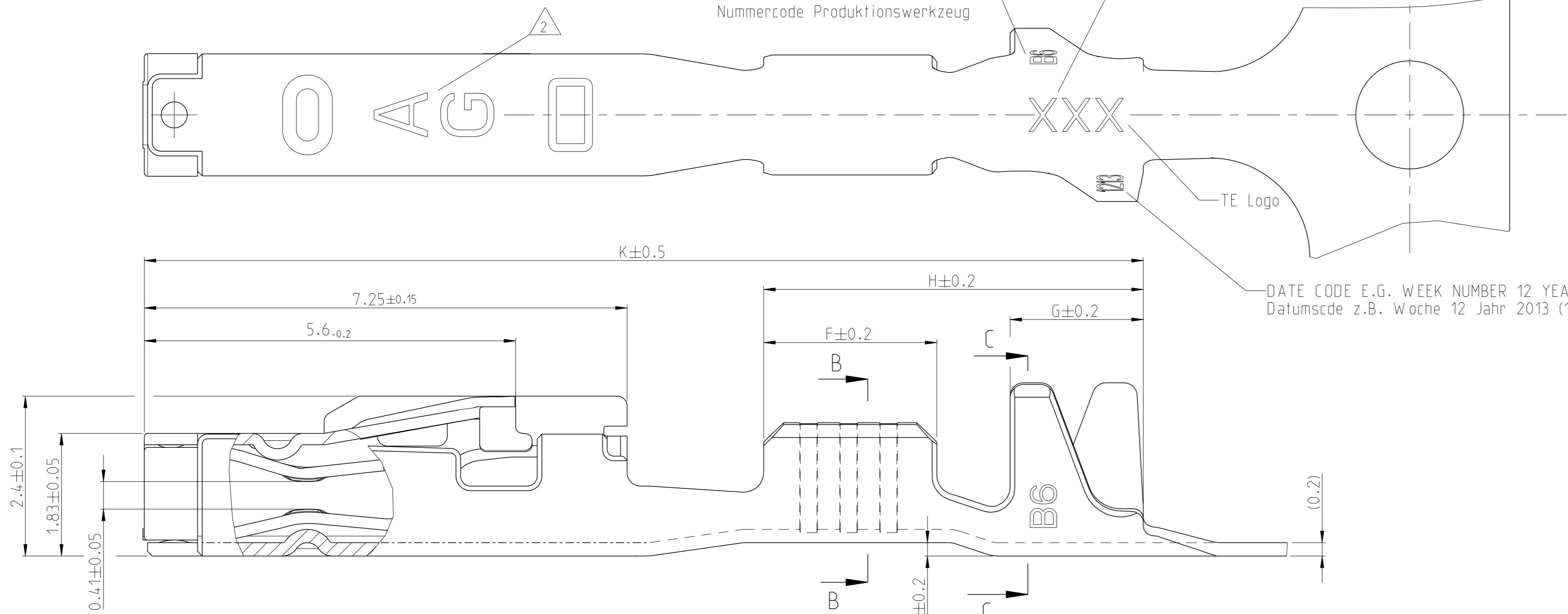
Project No. PRJ-11-000001417	Loc A1	DIST -	REVISIONS			
			#	DATE	OWN	APVD
			C4	06FEB2014	Abr	Raab
			C5	12JUN2014	Abr	Raab
			C6	25AUG2014	Abr	Raab
			C7	21DEC2017	FRAN	KURF

REVISION Aenderungsstand /  
NUMBER CODE PRODUCTION TOOL  
Nummercode Produktionswerkzeug

MANUFACTURING LOCATION CODE  
Kennzahl Produktionsstandort

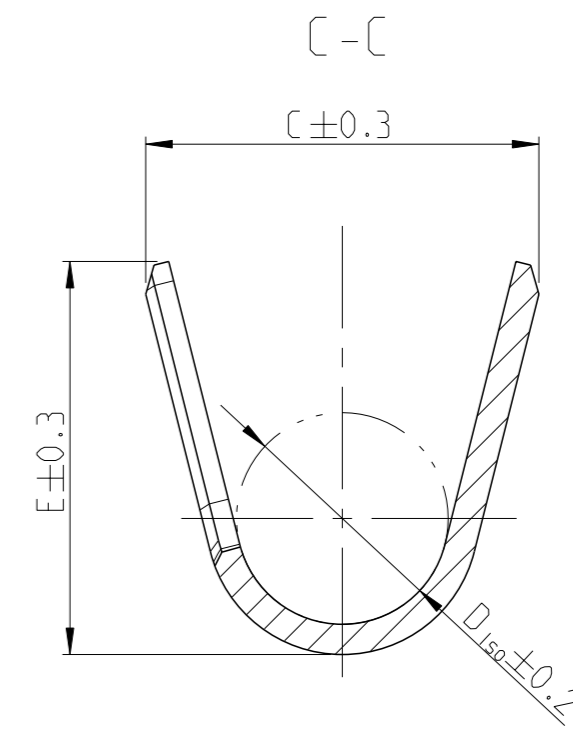
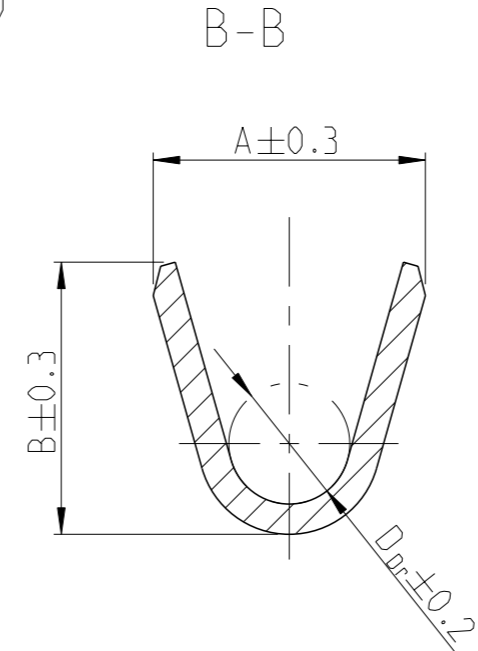
DATE CODE E.G. WEEK NUMBER 12 YEAR 2013 (1213)  
Datumscode z.B. Woche 12 Jahr 2013 (1213)

STANDARD APPLICATION  
Standard Anwendung

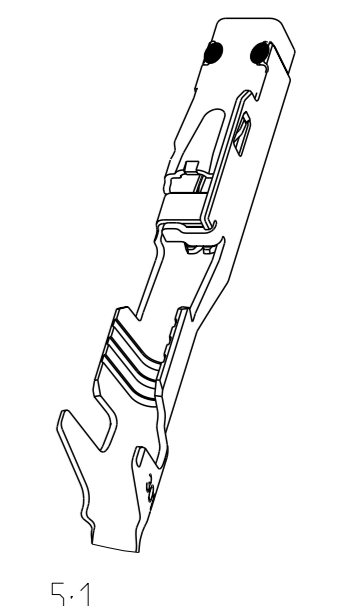
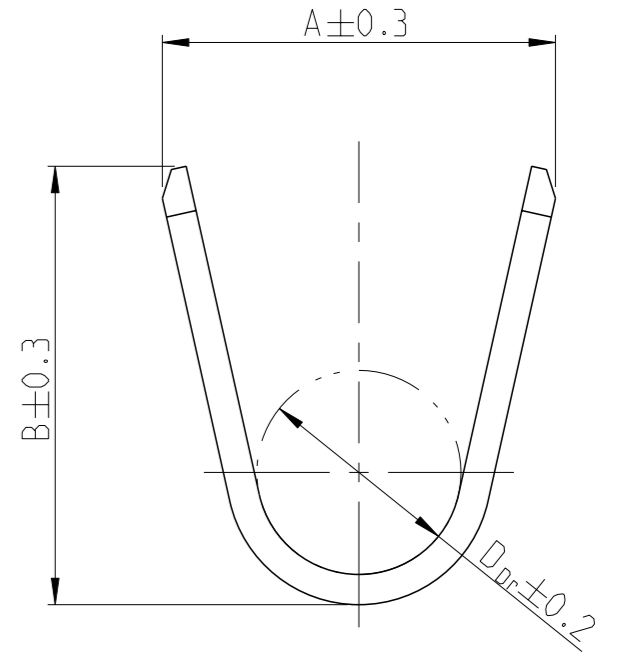
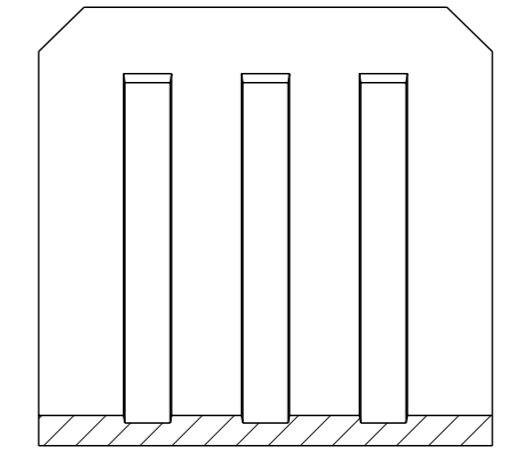


WIRE CRIMP DESIGN  
Drahtcrimp Ausfuehrung  
2

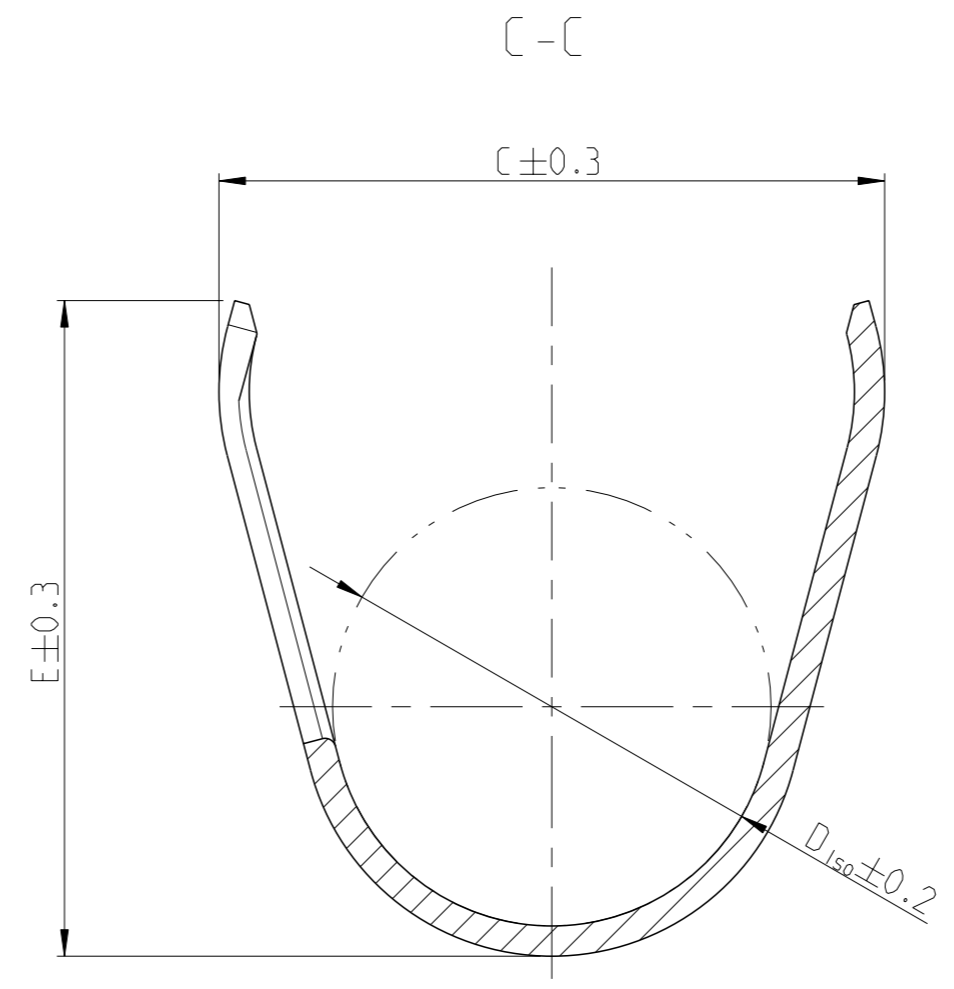
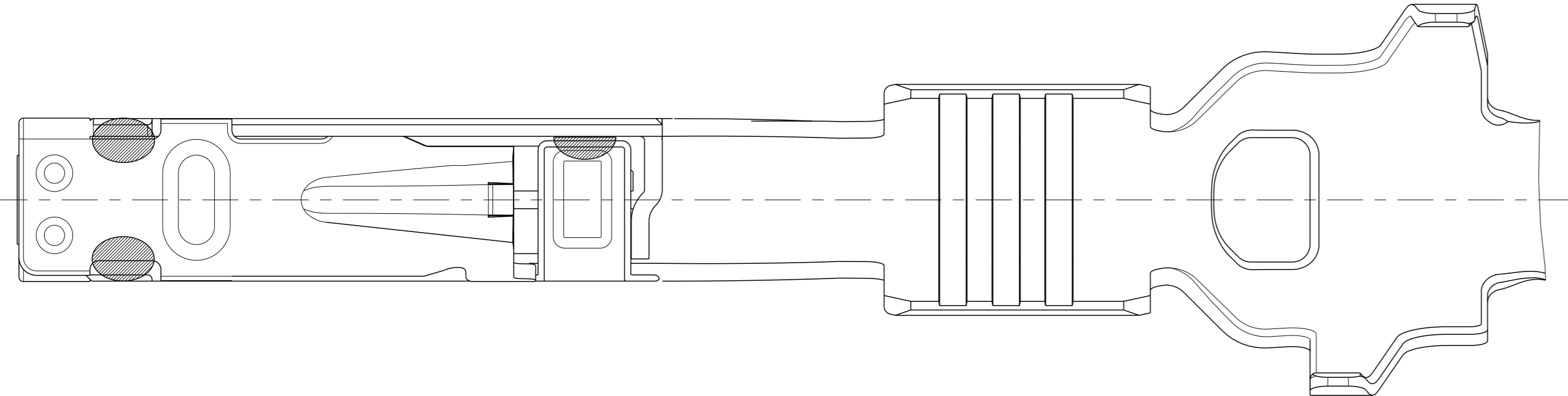
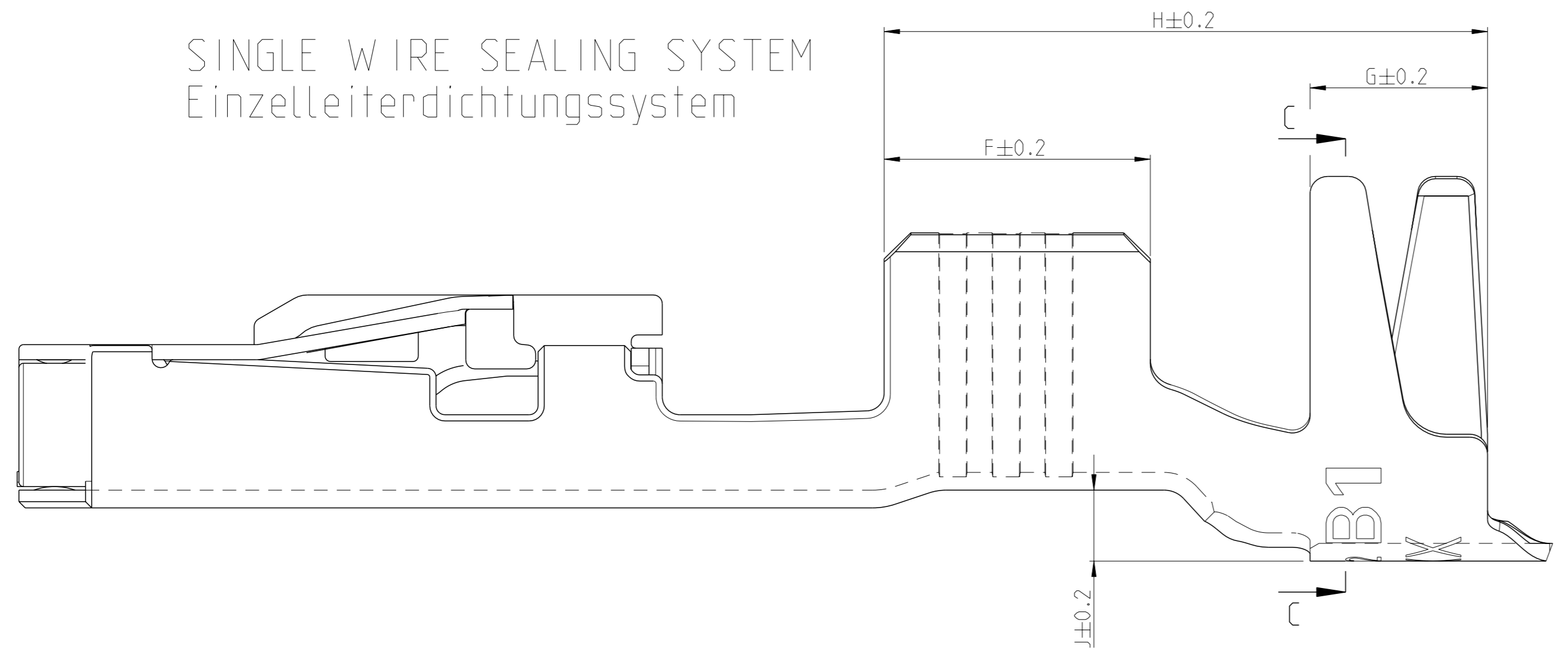
WIRE CRIMP DESIGN  
Drahtcrimp Ausfuehrung  
1



WIRE CRIMP DESIGN  
Drahtcrimp Ausfuehrung  
3



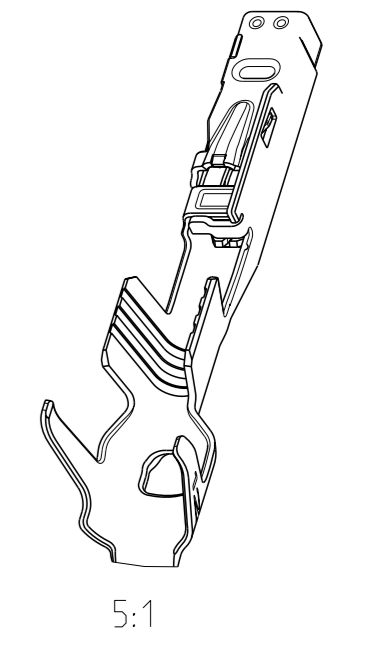
SINGLE WIRE SEALING SYSTEM  
Einzelleiterdichtungssystem



NOTES  
Bemerkungen

- 1 LASER WELDED  
Lasergeschweisst
- 2 STAMPED INDICATOR FOR PLATING:  
- AU GOLD PLATING  
- AG SILVER PLATING  
- TIN PLATING WITHOUT INDICATOR  
Markierung fuer galvanische Ausfuehrung:  
- AU vergoldet  
- AG versilbert  
- verzinkt: ohne Markierung

3 TO BE USED ON TAB  
1.2±0.1 x 0.6±0.03 MM  
geeignet fuer Flachstecker  
1.2±0.1 x 0.6±0.03 mm



THIS DRAWING IS A CONTROLLED DOCUMENT.		OWN E. Horn	11NOV2011	<b>STE</b> TE Connectivity
DIMENSIONS: mm		CHK R. Meier	11NOV2011	
TOLERANCES UNLESS OTHERWISE SPECIFIED: ±0.2		APVD V. Seigel	11NOV2011	NAME MCON 1.2 LL (LOCKING-LANCE)
MATERIAL		PRODUCT SPEC 108-18782		SIZE 114-18464
FINISH		APPLICATION SPEC		RESTRICTED TO
ANGLES		WEIGHT 0.18 g		Customer Drawing
SCALE 20:1		SHEET 1 of 2		REV 7

LOC	DIST	REVISIONS			
		REV	DATE	BY	APPV
A1	-	-	SEE SHEET 1	-	-

VERSION / Ausführung	REV.	RANGE Bereich	INSULATION-Ø Isolations-Ø (mm)	AWG	mm <sup>2</sup>	BODY Kontakt-körper	SPRING Kontakt-feder	BODY Kontakt-körper	SPRING Kontakt-feder	DESIGN WIRE-CRIMP Ausführung Draht-Crimp	C7											SINGLE WIRE SEAL FOR CAVITY DIAMETER	BLINDPLUG ORDER NO. Blindstopfen Bestell-Nr.	APPLICATION TOOLS Verarbeitungswerkzeuge	
											A	B	D <sub>Dr</sub>	C	E	D <sub>ISO</sub>	F	G	H	J	K				
STANDARD APPLICATION Standardanwendung	2141970-3	A	0.13-	0.95-	-	0.13	CuSn4	CuNiSi	8	7	1	1.5	1.4	-	4.0	3.9	2.6	2.5	1.9	6.2	0.6	16	SEE APPLICATION SPEC. 114-18464 siehe Verarbeitungsspez. 114-18464		
	2141970-2	A	0.22	0.95-	-	0.17				6	1	1.5	1.4	-	4.0	3.9	2.6	2.5	1.9	6.2	0.6	16			
	2141970-1	A	9	1.2	-	0.22				5	1	1.5	1.4	-	4.0	3.9	2.6	2.5	1.9	6.2	0.6	16			
	7-1452665-3	A	0.25-	1.1-	-	0.25				7	2	1.8	1.8	0.8	4.2	4.3	2.6	2.6	2.0	6.4	0.8	16			
	7-1452665-2	A	0.25-	1.1-	24	-				6	2	1.8	1.8	0.8	4.2	4.3	2.6	2.6	2.0	6.4	0.8	16			
	7-1452665-1	A	0.35	1.75	22	-				5	2	1.8	1.8	0.8	4.2	4.3	2.6	2.6	2.0	6.4	0.8	16			
	7-1452668-3	A	0.5-	1.4-	20	0.5				7	2	2.0	2.1	1.1	4.2	4.3	2.7	2.6	2.0	6.4	0.8	16			
	7-1452668-2	A	0.5-	1.4-	-	0.75				6	2	2.0	2.1	1.1	4.2	4.3	2.7	2.6	2.0	6.4	0.8	16			
	7-1452668-1	A	0.75	1.9	-	0.75				5	2	2.0	2.1	1.1	4.2	4.3	2.7	2.6	2.0	6.4	0.8	16			
	7-1452671-3	A	1-	1.9-	18	-				7	2	2.6	2.9	1.35	4.4	4.3	2.9	3.0	2.0	6.8	0.8	16.55			
	7-1452671-2	A	1-	1.9-	-	1				6	2	2.6	2.9	1.35	4.4	4.3	2.9	3.0	2.0	6.8	0.8	16.55			
	7-1452671-1	A	1.5	2.4	16	-				5	2	2.6	2.9	1.35	4.4	4.3	2.9	3.0	2.0	6.8	0.8	16.55			

**7- VARIANTS FOR NEW APPLICATIONS**

VERSION / Ausführung	REV.	RANGE Bereich	INSULATION-Ø Isolations-Ø (mm)	AWG	mm <sup>2</sup>	BODY Kontakt-körper	SPRING Kontakt-feder	BODY Kontakt-körper	SPRING Kontakt-feder	DESIGN WIRE-CRIMP Ausführung Draht-Crimp	C7											SINGLE WIRE SEAL FOR CAVITY DIAMETER	BLINDPLUG ORDER NO. Blindstopfen Bestell-Nr.	APPLICATION TOOLS Verarbeitungswerkzeuge	
											A	B	D <sub>Dr</sub>	C	E	D <sub>ISO</sub>	F	G	H	J	K				
STANDARD APPLICATION Standardanwendung	0-1452665-3	B	0.25-	1.1-	-	0.25	CuSn0.15/0.2	CuNiSi	5	7	2	1.8	1.8	0.8	4.2	4.3	2.6	2.6	2.0	6.4	0.8	16	SEE APPLICATION SPEC. 114-18464 siehe Verarbeitungsspez. 114-18464		
	0-1452665-2	B	0.25-	1.1-	24	-				6	2	1.8	1.8	0.8	4.2	4.3	2.6	2.6	2.0	6.4	0.8	16			
	0-1452665-1	B	0.35	1.75	22	-				5	2	1.8	1.8	0.8	4.2	4.3	2.6	2.6	2.0	6.4	0.8	16			
	0-1452668-3	C	0.5-	1.4-	20	0.5				7	2	2.0	2.1	1.1	4.2	4.3	2.7	2.6	2.0	6.4	0.8	16			
	0-1452668-2	C	0.5-	1.4-	-	0.75				6	2	2.0	2.1	1.1	4.2	4.3	2.7	2.6	2.0	6.4	0.8	16			
	0-1452668-1	C	0.75	1.9	-	0.75				5	2	2.0	2.1	1.1	4.2	4.3	2.7	2.6	2.0	6.4	0.8	16			
	0-1452671-3	B	1-	1.9-	18	-				7	3	2.6	2.9	1.35	4.4	4.3	2.9	3.0	2.0	6.8	0.8	16.55			
	0-1452671-2	B	1-	1.9-	-	1				6	3	2.6	2.9	1.35	4.4	4.3	2.9	3.0	2.0	6.8	0.8	16.55			
	0-1452671-1	B	1.5	2.4	16	-				5	3	2.6	2.9	1.35	4.4	4.3	2.9	3.0	2.0	6.8	0.8	16.55			
	0-1452653-3	B	0.25-	1.1-	-	0.25				7	2	1.8	1.8	0.8	4.2	4.3	2.6	2.6	2.0	5.7	0.2	15			
	0-1452653-2	B	0.25-	1.1-	24	-				6	2	1.8	1.8	0.8	4.2	4.3	2.6	2.6	2.0	5.7	0.2	15			
	0-1452653-1	B	0.35	1.75	22	-				5	2	1.8	1.8	0.8	4.2	4.3	2.6	2.6	2.0	5.7	0.2	15			
0-1452656-3	C	0.5-	1.4-	20	0.5	7	2	2.0	2.1	1.1	2.7	2.9	1.6	3.0	2.0	6.1	0.2	16							
0-1452656-2	C	0.5-	1.4-	-	0.75	6	2	2.0	2.1	1.1	2.7	2.9	1.6	3.0	2.0	6.1	0.2	16							
0-1452656-1	C	0.75	1.9	-	0.75	5	2	2.0	2.1	1.1	2.7	2.9	1.6	3.0	2.0	6.1	0.2	16							
0-1452659-3	B	1-	1.9-	18	-	7	3	2.6	2.9	1.35	3.7	3.9	2.1	3.0	2.0	6.1	0.2	16							
0-1452659-2	B	1-	1.9-	-	1	6	3	2.6	2.9	1.35	3.7	3.9	2.1	3.0	2.0	6.1	0.2	16							
0-1452659-1	B	1.5	2.4	16	-	5	3	2.6	2.9	1.35	3.7	3.9	2.1	3.0	2.0	6.1	0.2	16							

**0- VARIANTS SUPERSEDED BY 7- VARIANTS (SEE TABLE ON TOP)**

- NOTES  
Bemerkungen
- 4 ONLY FOR FLR-WIRE SEE DIN 72551, PART 6 AND AWG WIRE ACCORDING DC-SPEC: MS-8288 ; MS-7889 ; MS-9532  
Nur fuer FLR-Leitung nach DIN 72551, Teil 6 und AWG Leitung nach DC-SPEC: MS-8288 ; MS-7889 ; MS-9532
  - 5 PRE TIN SnAg 1.0 TO 3.0µm  
Vorverzinkt SnAg 1.0 bis 3.0µm
  - 6 SPRING GOLD PLATED MIN. 0.8µm (only contact area)  
Kontaktfeder galv. vergoldet min.0.8µm (nur Kontaktzone)
  - 7 SPRING SILVER PLATED 2.0 TO 5.0µm (only contact area)  
Kontaktfeder galv. versilbert 2.0 bis 5.0µm (nur Kontaktzone)
  - 8 BODY PRE TIN Sn 1.0 TO 3.0µm  
Kontaktkoerper vorverzinkt Sn 1.0 bis 3.0µm
  - 9 REINFORCED WIRE ACCORDING TO LV 112-4  
Zugverstaerkte Leitung nach LV 112-4

THIS DRAWING IS A CONTROLLED DOCUMENT.

OWN: E. Horn	11NOV2011	<b>STE</b> TE Connectivity
CHK: R. Meier	11NOV2011	
APPV: V. Seigel	11NOV2011	NAME: MCON 1.2 LL (LOCKING-LANCE)
DIMENSIONS: mm		SIZE: A1
TOLERANCES UNLESS OTHERWISE SPECIFIED:		CAGE CODE: 00779
DRAWING: 108-18782		DRAWING NO: 1452674
APPLICATION SPEC: 114-18464		RESTRICTED TO: -
WEIGHT: -		SCALE: -
Customer Drawing		SHEET 2 OF 2

## X-ON Electronics

Largest Supplier of Electrical and Electronic Components

*Click to view similar products for [Automotive Connectors](#) category:*

*Click to view products by [TE Connectivity](#) manufacturer:*

Other Similar products are found below :

[003-018-000](#) [60403001](#) [60993906-B](#) [M902-2131](#) [M902-2161](#) [M902-2344](#) [72.330.1035.1](#) [73.353.4028.0](#) [F119300-B](#) [F166900](#) [F258300-B](#)  
[F358300-B](#) [F407400](#) [F444110](#) [F487000](#) [F509500B-B](#) [827153-1](#) [8N1515-32-24P](#) [9-1326729-8](#) [925474-1](#) [928905-1](#) [964562-4](#) [968782-1](#)  
[GT17SA-8DS-HU](#) [98891-1012](#) [98947-1016](#) [12004147](#) [12004475-L](#) [12010290](#) [12010309-B](#) [12015454](#) [12020219-B](#) [12041318-B](#) [12052225-](#)  
[L](#) [12052466](#) [12064869](#) [12004327-B](#) [12015308](#) [12015384](#) [12015909](#) [1-21030-1](#) [12041254](#) [12041318](#) [12047946-B](#) [12047957](#) [12047957-L](#)  
[12059473](#) [12066261](#) [12110546](#) [12110546-B](#)