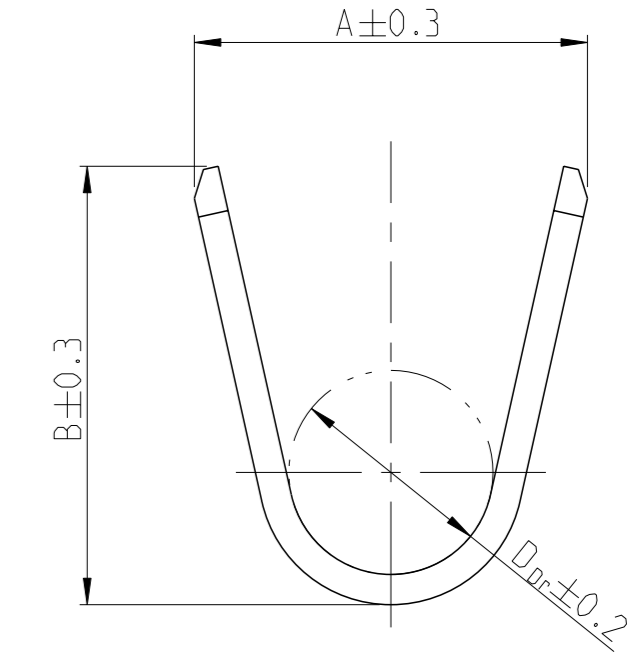
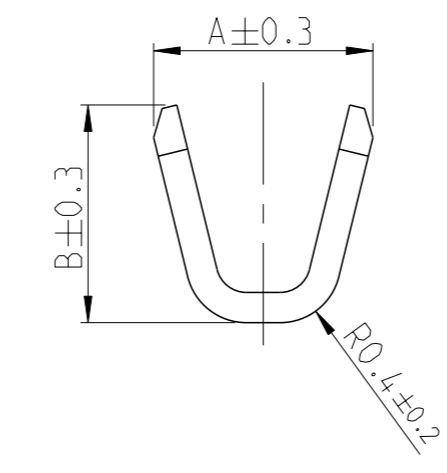
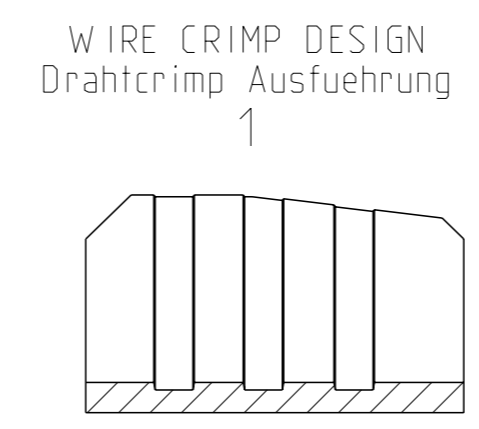
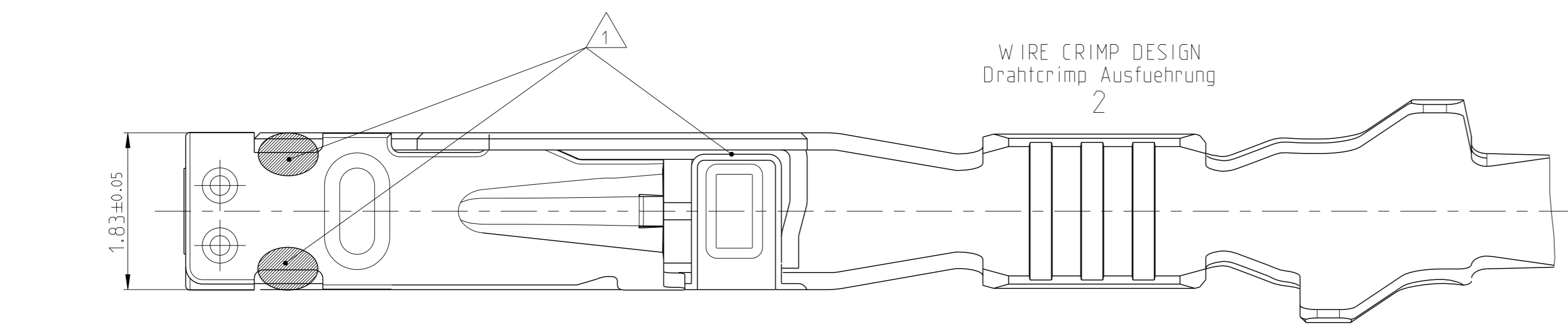
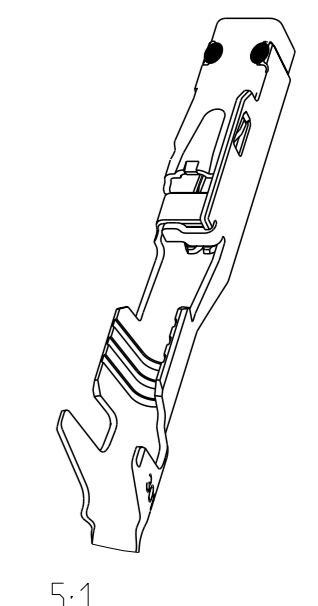
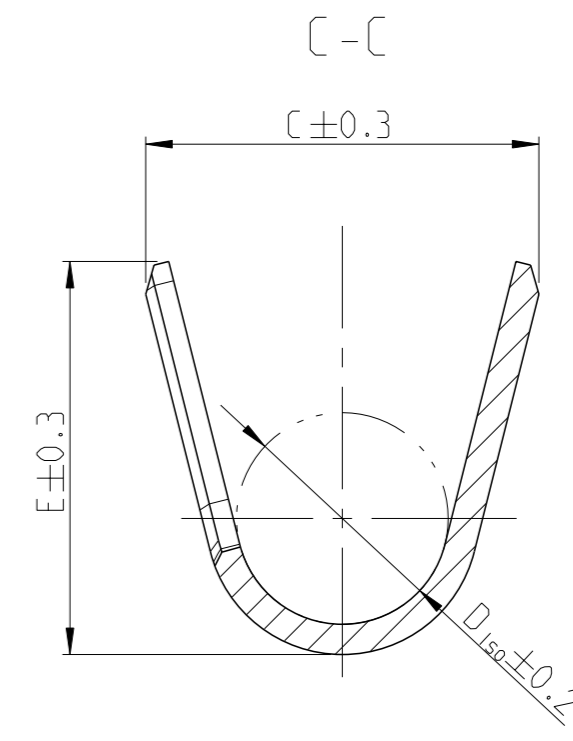
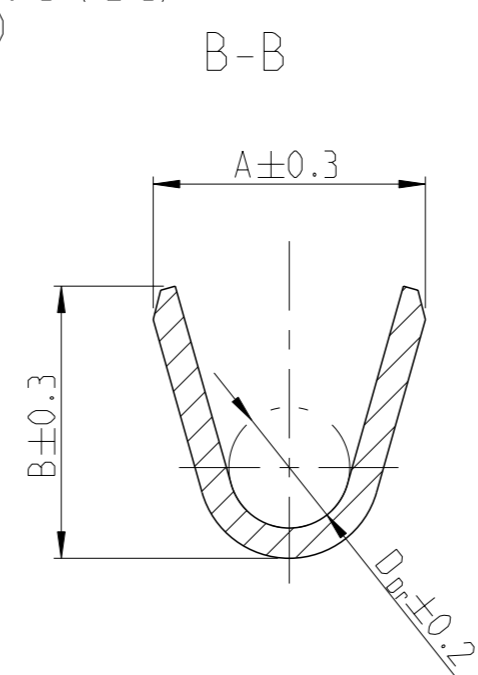
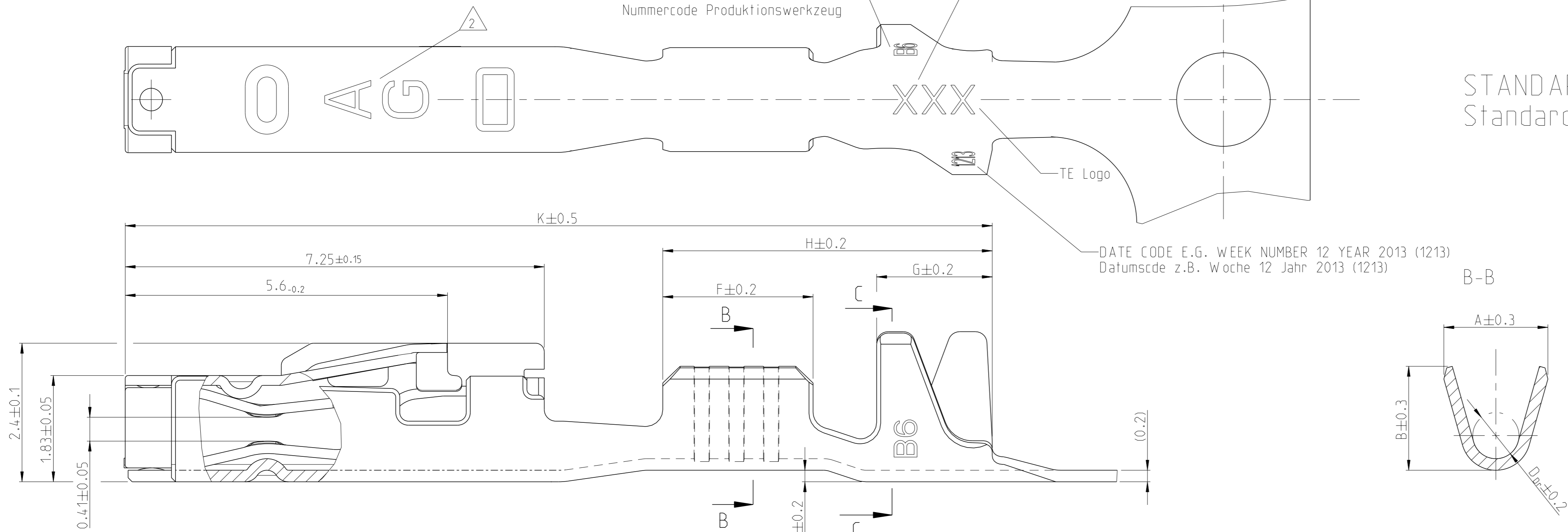


Project No. PRJ-11-000001417	Loc A1	DIST -	REVISIONS			
			#	DATE	OWN	APVD
			C4	06FEB2014	Abr	Raab
			C5	12JUN2014	Abr	Raab
			C6	25AUG2014	Abr	Raab
			C7	21DEC2017	FRAN	KURF

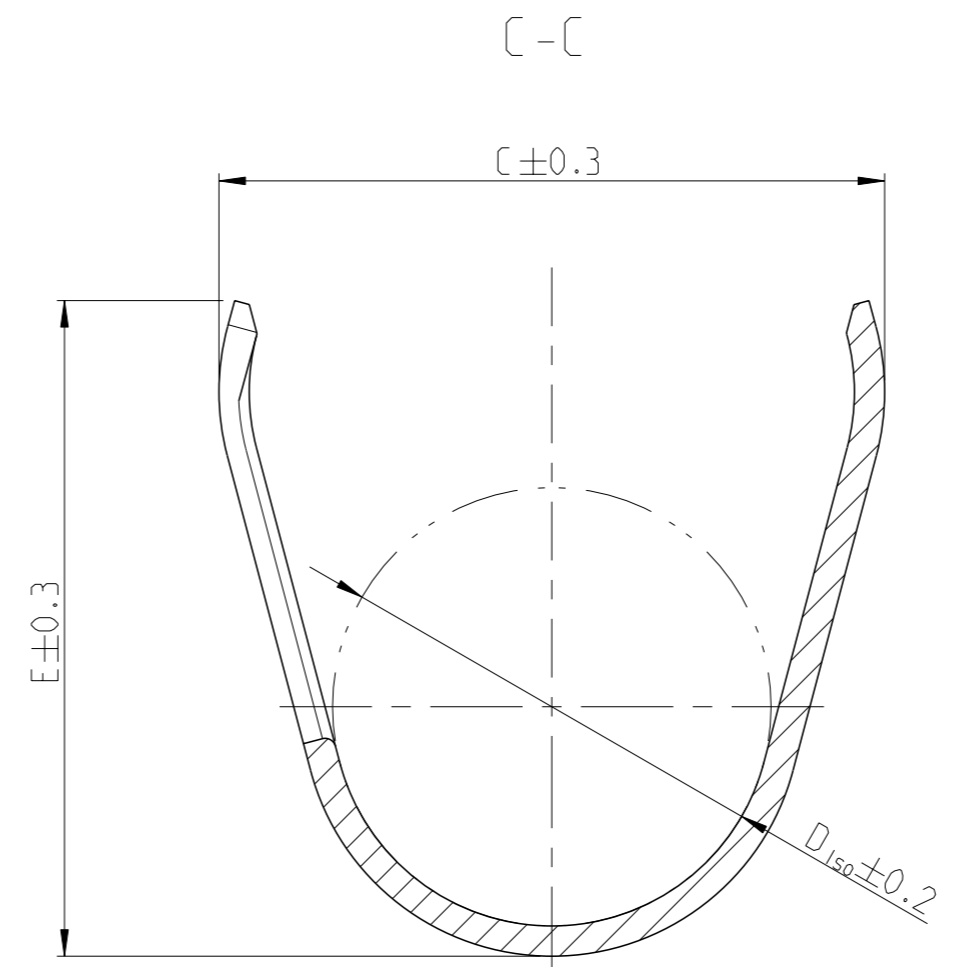
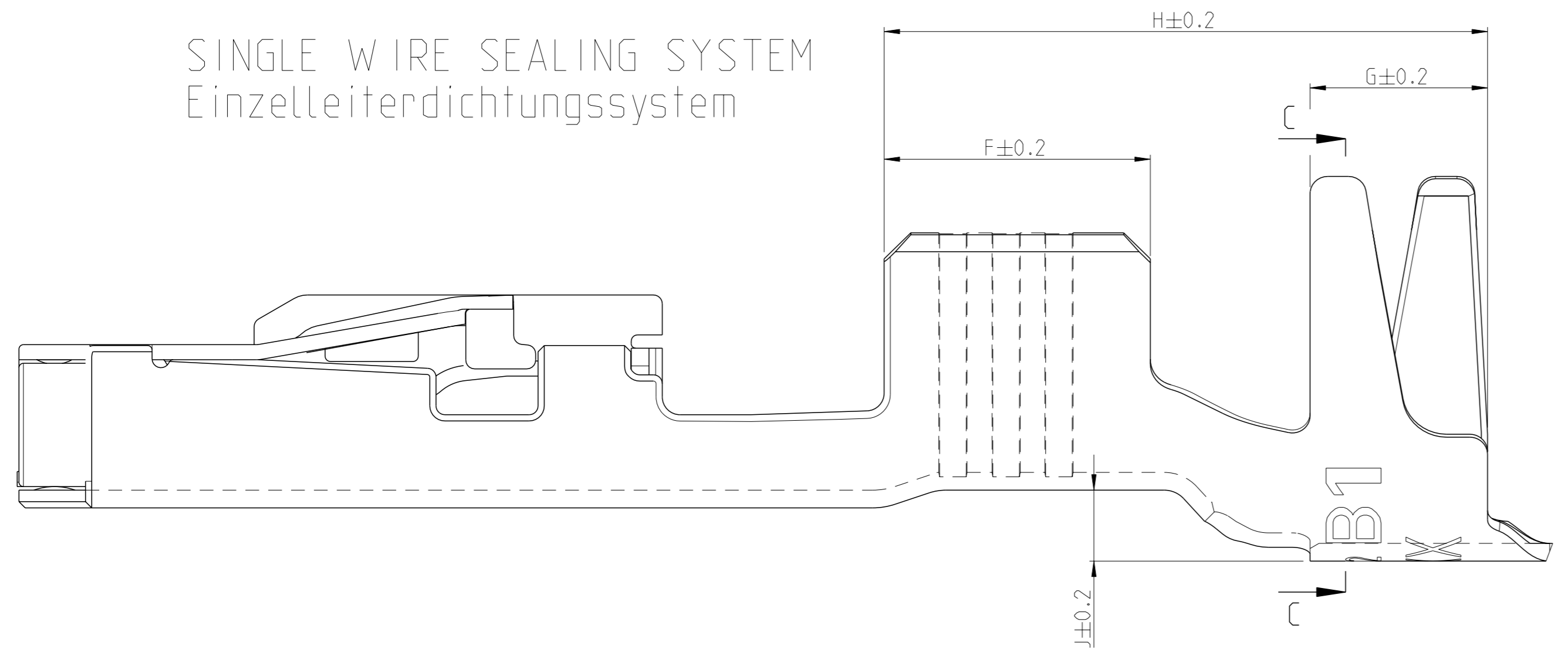
REVISION Aenderungsstand /  
NUMBER CODE PRODUCTION TOOL  
Nummercode Produktionswerkzeug

MANUFACTURING LOCATION CODE  
Kennzahl Produktionsstandort

STANDARD APPLICATION  
Standard Anwendung



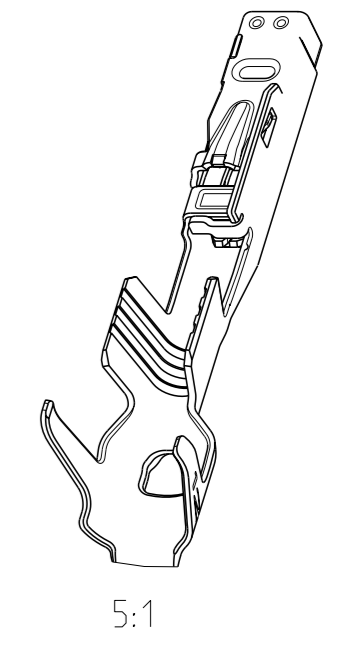
SINGLE WIRE SEALING SYSTEM  
Einzelleiterdichtungssystem



NOTES  
Bemerkungen

- 1 LASER WELDED  
Lasergeschweisst
- 2 STAMPED INDICATOR FOR PLATING:  
- AU GOLD PLATING  
- AG SILVER PLATING  
- TIN PLATING WITHOUT INDICATOR  
Markierung fuer galvanische Ausfuehrung:  
- AU vergoldet  
- AG versilbert  
- verzinkt: ohne Markierung

3 TO BE USED ON TAB  
1.2±0.1 x 0.6±0.03 MM  
geeignet fuer Flachstecker  
1.2±0.1 x 0.6±0.03 mm



THIS DRAWING IS A CONTROLLED DOCUMENT.		OWN E. Horn	11NOV2011	<b>STE</b> TE Connectivity
DIMENSIONS: mm		CHK R. Meier	11NOV2011	
TOLERANCES UNLESS OTHERWISE SPECIFIED: ±0.2		APVD V. Seigel	11NOV2011	NAME MCON 1.2 LL (LOCKING-LANCE)
MATERIAL		PRODUCT SPEC 108-18782		SIZE 114-18464
FINISH		APPLICATION SPEC		RESTRICTED TO
ANGLES		WEIGHT 0.18 g		Customer Drawing
SCALE 20:1		SHEET 1 of 2		REV 7

LOC	DIST	REVISIONS			
		REV	DATE	BY	APPV
A1	-	-	SEE SHEET 1	-	-

VERSION / Ausführung	REV.	RANGE Bereich	INSULATION-Ø Isolations-durchm. (mm)	AWG	mm <sup>2</sup>	BODY Kontakt-körper	SPRING Kontakt-feder	BODY Kontakt-körper	SPRING Kontakt-feder	DESIGN WIRE-CRIMP Ausführung Draht-Crimp	C7											SINGLE WIRE SEAL FOR CAVITY DIAMETER	BLINDPLUG ORDER NO. Blindstopfen Bestell-Nr.	APPLICATION TOOLS Verarbeitungswerkzeuge		
											A	B	D <sub>Dr</sub>	C	E	D <sub>ISO</sub>	F	G	H	J	K					
STANDARD APPLICATION Standardanwendung	2141970-3	A	0.13-	0.95-	-	0.13	CuSn4	CuNiSi	8	7	1	1.5	1.4	-	4.0	3.9	2.6	2.5	1.9	6.2	0.6	16	SEE APPLICATION SPEC. 114-18464 siehe Verarbeitungsspez. 114-18464			
	2141970-2	A	0.22	0.95-	-	0.17				6	1	1.5	1.4	-	4.0	3.9	2.6	2.5	1.9	6.2	0.6	16				
	2141970-1	A	9	1.2	-	0.22				5	1	1.5	1.4	-	4.0	3.9	2.6	2.5	1.9	6.2	0.6	16				
	7-1452665-3	A	0.25-	1.1-	24	-				0.25	7	2	1.8	1.8	0.8	4.2	4.3	2.6	2.6	2.0	6.4	0.8				16
	7-1452665-2	A	0.35	1.75	22	-				0.35	6	2	1.8	1.8	0.8	4.2	4.3	2.6	2.6	2.0	6.4	0.8				16
	7-1452665-1	A	0.75	1.9	-	0.75				5	2	2.0	2.1	1.1	4.2	4.3	2.7	2.6	2.0	6.4	0.8	16				
	7-1452668-3	A	0.5-	1.4-	20	0.5				7	2	2.0	2.1	1.1	4.2	4.3	2.7	2.6	2.0	6.4	0.8	16				
	7-1452668-2	A	0.75	1.9	-	0.75				6	2	2.0	2.1	1.1	4.2	4.3	2.7	2.6	2.0	6.4	0.8	16				
	7-1452668-1	A	1.5	2.4	-	1.5				5	2	2.6	2.9	1.35	4.4	4.3	2.9	3.0	2.0	6.8	0.8	16.55				
	7-1452671-3	A	1-	1.9-	18	-				1	7	2	2.6	2.9	1.35	4.4	4.3	2.9	3.0	2.0	6.8	0.8				16.55
	7-1452671-2	A	1.5	2.4	16	-				1	6	2	2.6	2.9	1.35	4.4	4.3	2.9	3.0	2.0	6.8	0.8				16.55
	7-1452671-1	A	1.5	2.4	-	1.5				5	2	2.6	2.9	1.35	4.4	4.3	2.9	3.0	2.0	6.8	0.8	16.55				

7- VARIANTS FOR NEW APPLICATIONS

- NOTES  
Bemerkungen
- 4 ONLY FOR FLR-WIRE SEE DIN 72551, PART 6 AND AWG WIRE ACCORDING DC-SPEC: MS-8288 ; MS-7889 ; MS-9532  
Nur fuer FLR-Leitung nach DIN 72551, Teil 6 und AWG Leitung nach DC-SPEC: MS-8288 ; MS-7889 ; MS-9532
  - 5 PRE TIN SnAg 1.0 TO 3.0µm  
Vorverzinnt SnAg 1.0 bis 3.0µm
  - 6 SPRING GOLD PLATED MIN. 0.8µm (only contact area)  
Kontaktfeder galv. vergoldet min.0.8µm (nur Kontaktzone)
  - 7 SPRING SILVER PLATED 2.0 TO 5.0µm (only contact area)  
Kontaktfeder galv. versilbert 2.0 bis 5.0µm (nur Kontaktzone)
  - 8 BODY PRE TIN Sn 1.0 TO 3.0µm  
Kontaktkoerper vorverzinnt Sn 1.0 bis 3.0µm
  - 9 REINFORCED WIRE ACCORDING TO LV 112-4  
Zugverstaerkte Leitung nach LV 112-4

VERSION / Ausführung	REV.	RANGE Bereich	INSULATION-Ø Isolations-durchm. (mm)	AWG	mm <sup>2</sup>	BODY Kontakt-körper	SPRING Kontakt-feder	BODY Kontakt-körper	SPRING Kontakt-feder	DESIGN WIRE-CRIMP Ausführung Draht-Crimp	C7											SINGLE WIRE SEAL FOR CAVITY DIAMETER	BLINDPLUG ORDER NO. Blindstopfen Bestell-Nr.	APPLICATION TOOLS Verarbeitungswerkzeuge		
											A	B	D <sub>Dr</sub>	C	E	D <sub>ISO</sub>	F	G	H	J	K					
STANDARD APPLICATION Standardanwendung	0-1452665-3	B	0.25-	1.1-	24	-	0.25	CuSn0.15/0.2	CuNiSi	5	7	2	1.8	1.8	0.8	4.2	4.3	2.6	2.6	2.0	6.4	0.8	16	SEE APPLICATION SPEC. 114-18464 siehe Verarbeitungsspez. 114-18464		
	0-1452665-2	B	0.35	1.75	22	-	0.35				6	2	1.8	1.8	0.8	4.2	4.3	2.6	2.6	2.0	6.4	0.8	16			
	0-1452665-1	B	0.75	1.9	-	0.75	5				2	2.0	2.1	1.1	4.2	4.3	2.7	2.6	2.0	6.4	0.8	16				
	0-1452668-3	C	0.5-	1.4-	20	0.5	7				2	2.0	2.1	1.1	4.2	4.3	2.7	2.6	2.0	6.4	0.8	16				
	0-1452668-2	C	0.75	1.9	-	0.75	6				2	2.0	2.1	1.1	4.2	4.3	2.7	2.6	2.0	6.4	0.8	16				
	0-1452668-1	C	1.5	2.4	-	1.5	5				3	2.6	2.9	1.35	4.4	4.3	2.9	3.0	2.0	6.8	0.8	16.55				
	0-1452671-3	B	1-	1.9-	18	-	1				7	2	2.6	2.9	1.35	4.4	4.3	2.9	3.0	2.0	6.8	0.8	16.55			
	0-1452671-2	B	1.5	2.4	16	-	1				6	2	2.6	2.9	1.35	4.4	4.3	2.9	3.0	2.0	6.8	0.8	16.55			
	0-1452671-1	B	1.5	2.4	-	1.5	5				3	2.6	2.9	1.35	4.4	4.3	2.9	3.0	2.0	6.8	0.8	16.55				
	0-1452653-3	B	0.25-	1.1-	24	-	0.25				7	2	1.8	1.8	0.8	4.2	4.3	2.6	2.6	2.0	5.7	0.2	15			
	0-1452653-2	B	0.35	1.75	22	-	0.35				6	2	2.0	2.1	1.1	2.7	2.9	1.6	3.0	2.0	6.1	0.2	16			
	0-1452653-1	B	0.75	1.9	-	0.75	5				2	2.0	2.1	1.1	2.7	2.9	1.6	3.0	2.0	6.1	0.2	16				
0-1452656-3	C	0.5-	1.4-	20	0.5	7	2	2.0	2.1	1.1	2.7	2.9	1.6	3.0	2.0	6.1	0.2	16								
0-1452656-2	C	0.75	1.9	-	0.75	6	2	2.0	2.1	1.1	2.7	2.9	1.6	3.0	2.0	6.1	0.2	16								
0-1452656-1	C	1.5	2.4	-	1.5	5	3	2.6	2.9	1.35	3.7	3.9	2.1	3.0	2.0	6.1	0.2	16								
0-1452659-3	B	1-	1.9-	18	-	1	7	2	2.6	2.9	1.35	3.7	3.9	2.1	3.0	2.0	6.1	0.2	16							
0-1452659-2	B	1.5	2.4	16	-	1	6	2	2.6	2.9	1.35	3.7	3.9	2.1	3.0	2.0	6.1	0.2	16							
0-1452659-1	B	1.5	2.4	-	1.5	5	3	2.6	2.9	1.35	3.7	3.9	2.1	3.0	2.0	6.1	0.2	16								

0- VARIANTS SUPERSEDED BY 7- VARIANTS (SEE TABLE ON TOP)

THIS DRAWING IS A CONTROLLED DOCUMENT.

OWN: E. Horn	11NOV2011		NAME: MCON 1.2 LL (LOCKING-LANCE)
CHK: R. Meier	11NOV2011		SIZE: A1
APPV: V. Seigel	11NOV2011		CAGE CODE: 00779
PRODUCT SPEC: 108-18782	APPLICATION SPEC: 114-18464		DRAWING NO: 1452674
MATERIAL: -	FINISH: -	WEIGHT: -	RESTRICTED TO: -
Customer Drawing		SCALE: -	SHEET: 2 OF 2

## X-ON Electronics

Largest Supplier of Electrical and Electronic Components

*Click to view similar products for [Automotive Connectors](#) category:*

*Click to view products by [TE Connectivity](#) manufacturer:*

Other Similar products are found below :

[003-018-000](#) [60403001](#) [60993906-B](#) [M902-2131](#) [M902-2161](#) [72.330.1035.1](#) [73.353.4028.0](#) [F119300-B](#) [F166900](#) [F258300-B](#) [F358300-B](#)  
[F407400](#) [F444110](#) [F487000](#) [F509500B-B](#) [827153-1](#) [8N1515-32-24P](#) [9-1326729-8](#) [925474-1](#) [928905-1](#) [964562-4](#) [968782-1](#) [GT17SA-8DS-](#)  
[HU](#) [98891-1012](#) [98947-1016](#) [12004147](#) [12004475-L](#) [12010290](#) [12010309-B](#) [12015454](#) [12020219-B](#) [12020308](#) [12041318-B](#) [12052225-L](#)  
[12052466](#) [12059125](#) [12064869](#) [12004327-B](#) [12010503-B](#) [12015308](#) [12015384](#) [12015909](#) [1-21030-1](#) [12041254](#) [12041318](#) [12047946-B](#)  
[12047957](#) [12047957-L](#) [12059473](#) [12066261](#)