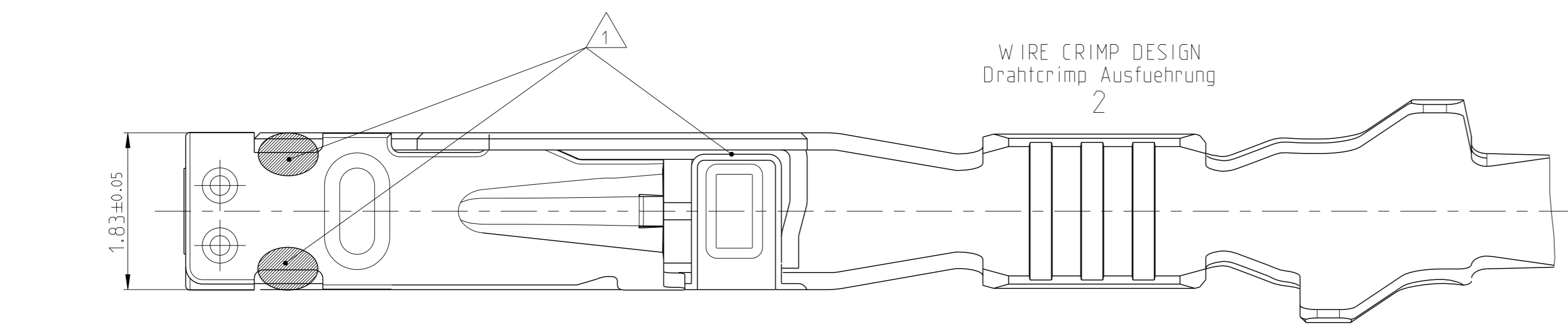
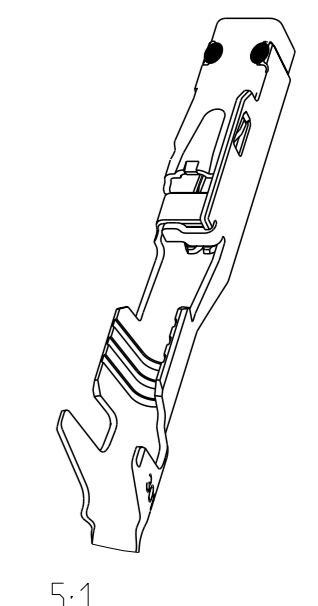
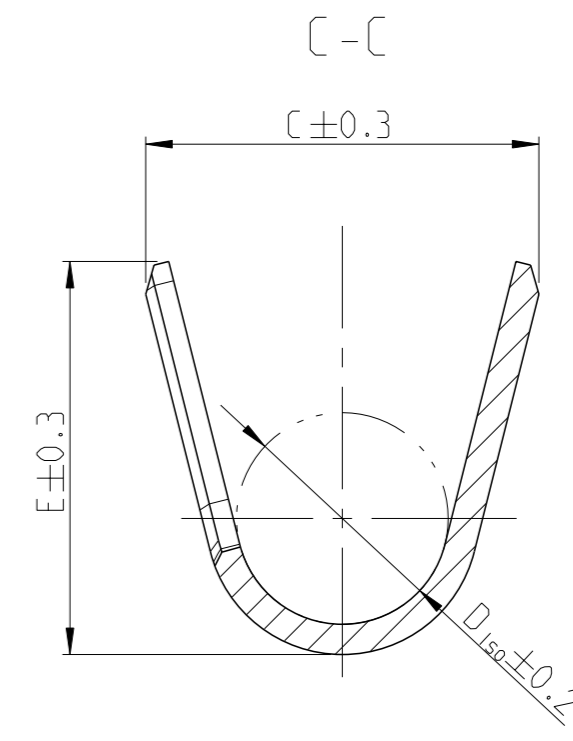
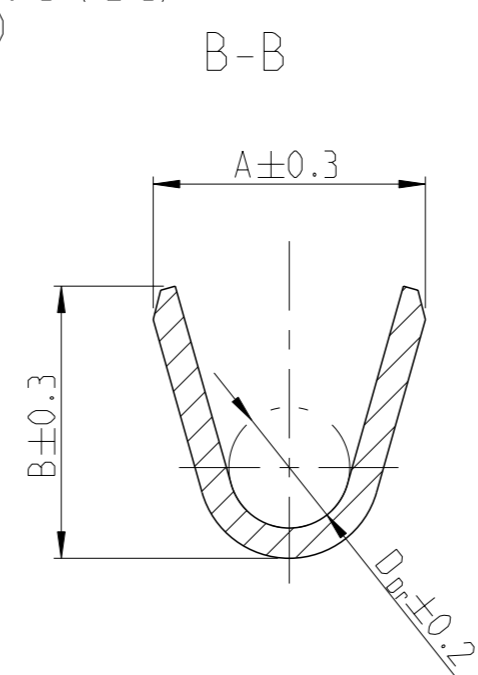
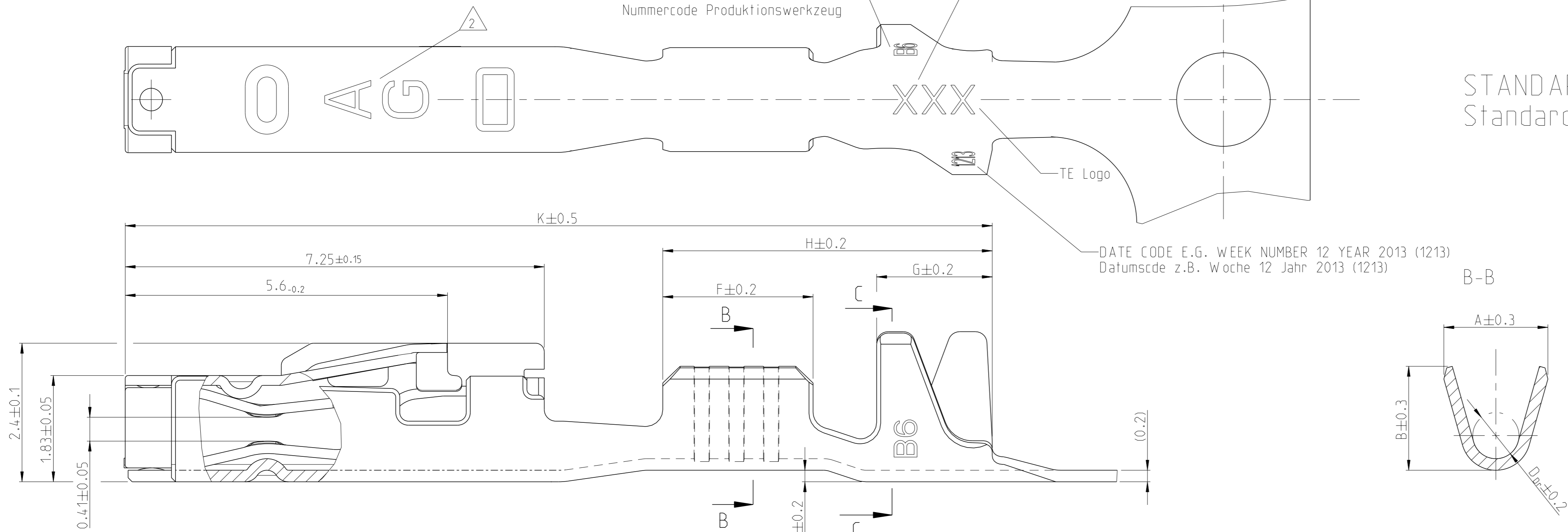


| Project No. PRJ-11-000001417 | Loc A1 | DIST - | REVISIONS | | | |
|---------------------------------|-----------|---|-----------|------|------|--|
| # | CT# | DESCRIPTION | DATE | OWN | APVD | |
| C4 | | PN 2141861 and 2141970 active ECR-14-001724 | 06FEB2014 | Abr | Raab | |
| C5 | | ECR-14-008680 CANCELED | 12JUN2014 | Abr | Raab | |
| C6 | | Name Changed to MCON 1.2 LL ECR-14-012725 | 25AUG2014 | Abr | Raab | |
| C7 | | See PCN E-17-018644 | 21DEC2017 | FRAN | KURF | |

REVISION Aenderungsstand /
NUMBER CODE PRODUCTION TOOL
Nummercode Produktionswerkzeug

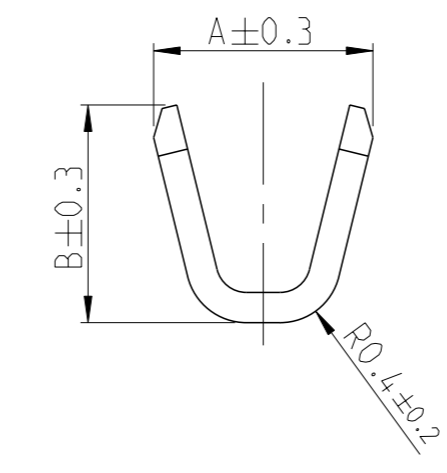
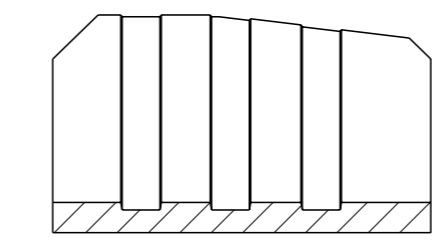
MANUFACTURING LOCATION CODE
Kennzahl Produktionsstandort

STANDARD APPLICATION
Standard Anwendung

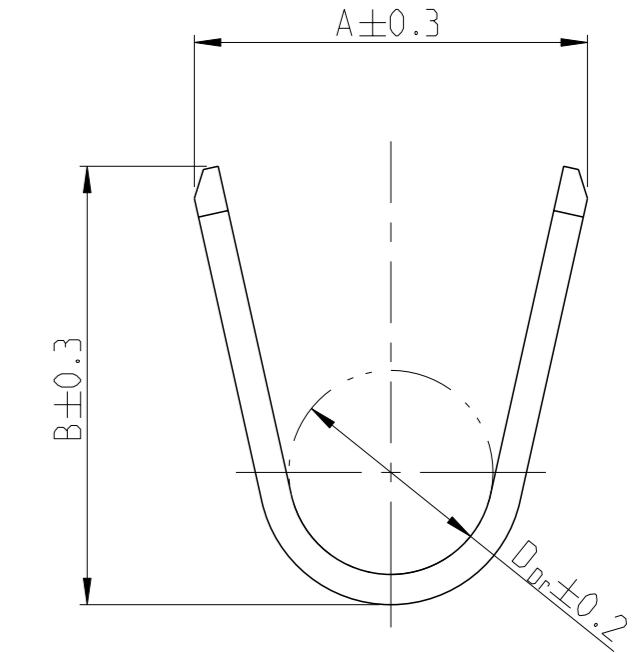
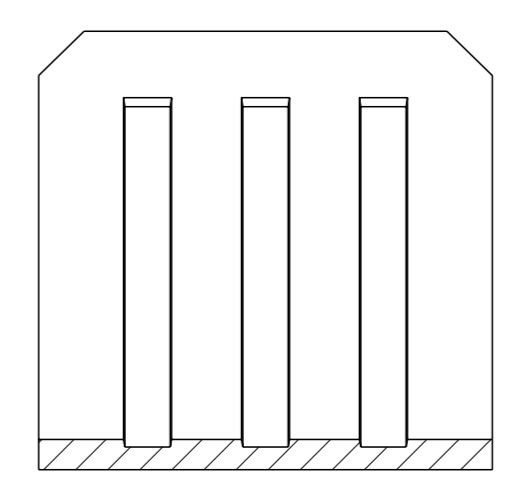


WIRE CRIMP DESIGN
Drahtcrimp Ausfuehrung
2

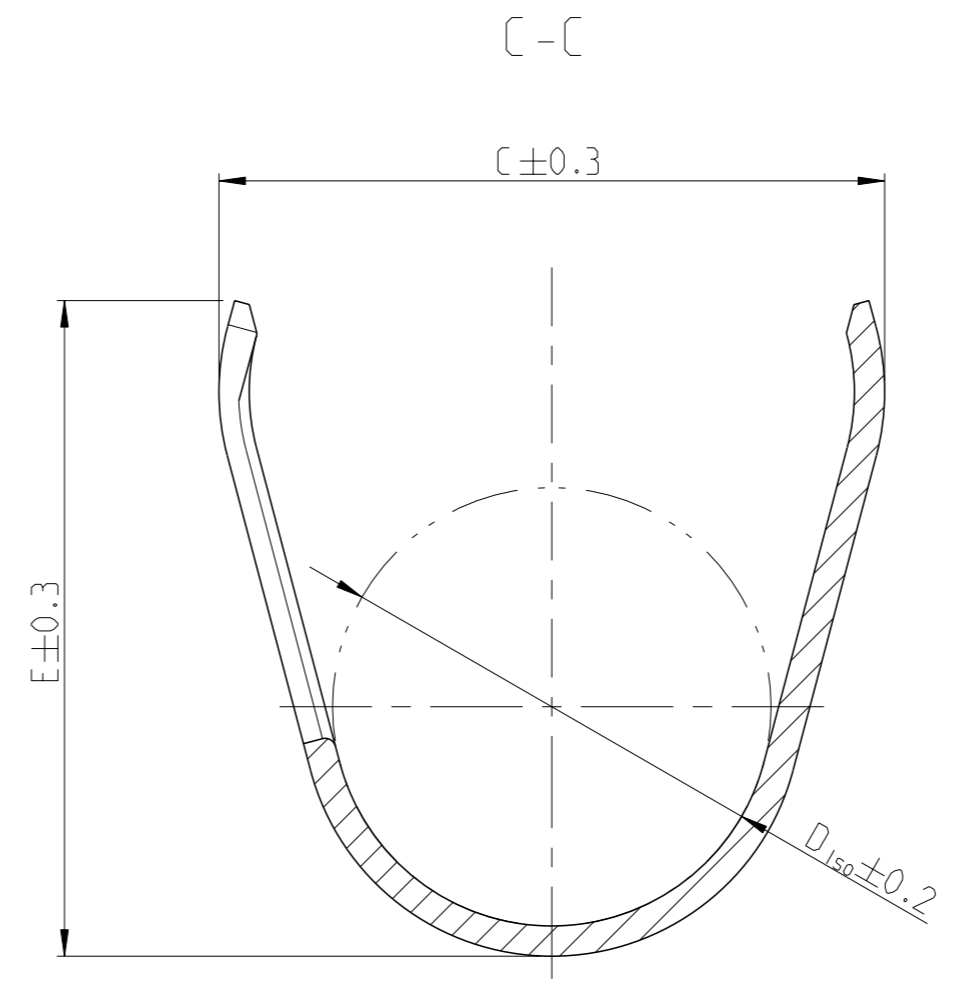
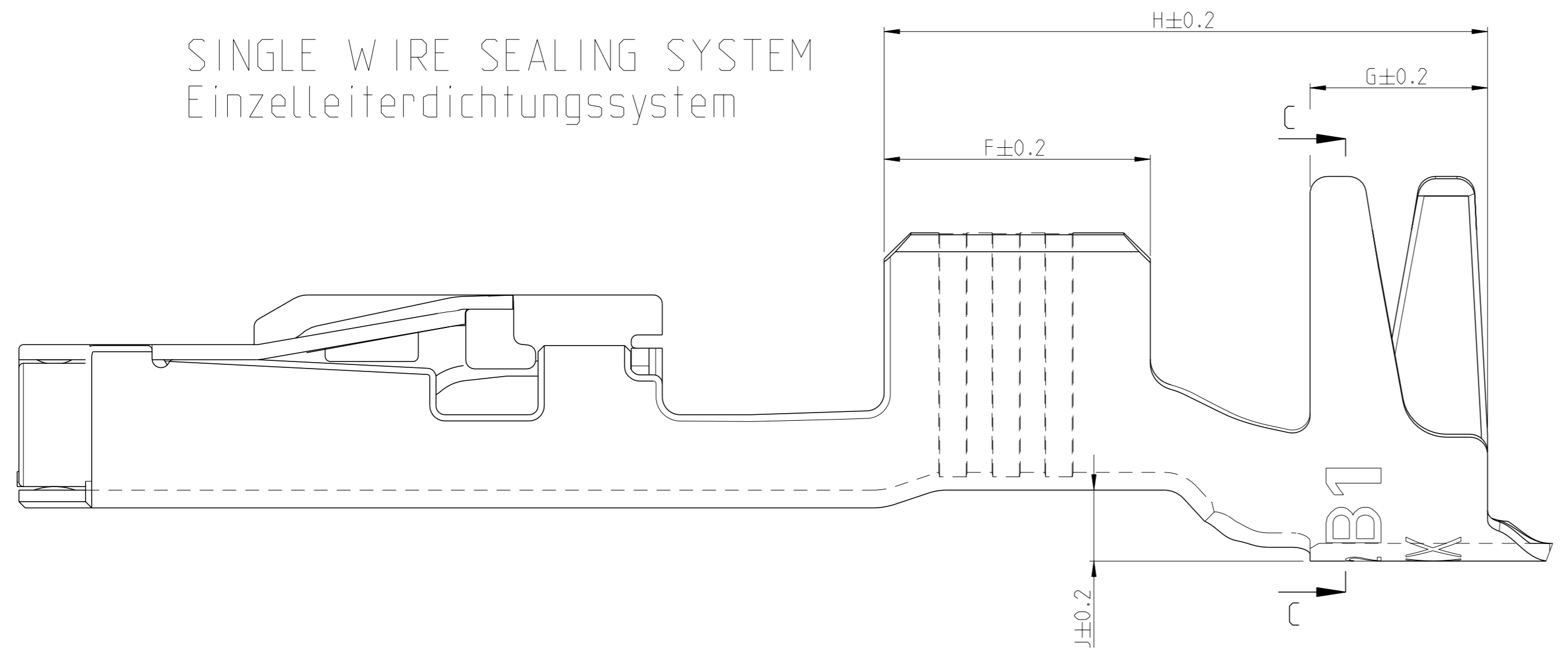
WIRE CRIMP DESIGN
Drahtcrimp Ausfuehrung
1



WIRE CRIMP DESIGN
Drahtcrimp Ausfuehrung
3



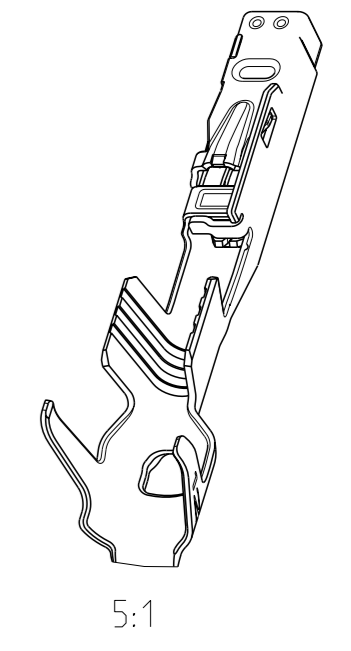
SINGLE WIRE SEALING SYSTEM
Einzelleiterdichtungssystem



NOTES
Bemerkungen

- 1 LASER WELDED
Lasergeschweisst
- 2 STAMPED INDICATOR FOR PLATING:
- AU GOLD PLATING
- AG SILVER PLATING
- TIN PLATING WITHOUT INDICATOR
Markierung fuer galvanische Ausfuehrung:
- AU verguldet
- AG versilbert
- verzinkt: ohne Markierung

- 3 TO BE USED ON TAB
1.2±0.1 x 0.6±0.03 MM
geeignet fuer Flachstecker
1.2±0.1 x 0.6±0.03 mm



| | | | | |
|--|--|---------------------------|-----------|-------------------------------------|
| THIS DRAWING IS A CONTROLLED DOCUMENT. | | OWN E. Horn | 11NOV2011 | STE TE Connectivity |
| DIMENSIONS: mm | | CHK R. Meier | 11NOV2011 | |
| TOLERANCES UNLESS OTHERWISE SPECIFIED: ±0.2 | | APVD V. Seigel | 11NOV2011 | NAME MCON 1.2 LL (LOCKING-LANCE) |
| MATERIAL | | PRODUCT SPEC 108-18782 | | SIZE 114-18464 |
| FINISH | | APPLICATION SPEC | | RESTRICTED TO |
| ANGLES | | WEIGHT 0.18 g | | Customer Drawing |
| SCALE 20:1 | | SHEET 1 of 2 | | REV 7 |

| LOC | DIST | REVISIONS | | | |
|-----|------|-----------|-------------|-----|------|
| A1 | - | REV | DATE | OWN | APVD |
| | | 1 | SEE SHEET 1 | - | - |

| VERSION / Ausführung | REV. | RANGE Bereich | INSULATION-Ø Isolations-Ø (mm) | AWG | mm ² | BODY Kontakt-körper | SPRING Kontakt-feder | BODY Kontakt-körper | SPRING Kontakt-feder | DESIGN WIRE-CRIMP Ausführung Draht-Crimp | SINGLE WIRE SEAL FOR CAVITY DIAMETER | | | | | | | | | | BLINDPLUG ORDER NO. Blindstopfen Bestell-Nr. | APPLICATION TOOLS Verarbeitungswerkzeuge | | |
|--|-------------|---------------|--------------------------------|-------|-----------------|---------------------|----------------------|---------------------|----------------------|--|--------------------------------------|-----|-----------------|------|-----|------------------|-----|-----|-----|-----|--|--|---|--|
| | | | | | | | | | | | A | B | D _{Dr} | C | E | D _{ISO} | F | G | H | J | | | K | |
| STANDARD APPLICATION Standardanwendung | 2141970-3 | A | 0.13- | 0.95- | - | 0.13 | CuSn4 | CuNiSi | 8 | 7 | 1 | 1.5 | 1.4 | - | 4.0 | 3.9 | 2.6 | 2.5 | 1.9 | 6.2 | 0.6 | 16 | SEE APPLICATION SPEC. 114-18464 siehe Verarbeitungsspez. 114-18464 | |
| | 2141970-2 | A | 0.22 | 0.95- | - | 0.17 | | | | 6 | 1 | 1.5 | 1.4 | - | 4.0 | 3.9 | 2.6 | 2.5 | 1.9 | 6.2 | 0.6 | 16 | | |
| | 2141970-1 | A | 9 | 1.2 | - | 0.22 | | | | 5 | 1 | 1.5 | 1.4 | - | 4.0 | 3.9 | 2.6 | 2.5 | 1.9 | 6.2 | 0.6 | 16 | | |
| | 7-1452665-3 | A | 0.25- | 1.1- | - | 0.25 | | | | 7 | 2 | 1.8 | 1.8 | 0.8 | 4.2 | 4.3 | 2.6 | 2.6 | 2.0 | 6.4 | 0.8 | 16 | | |
| | 7-1452665-2 | A | 0.25- | 1.1- | 24 | - | | | | 6 | 2 | 1.8 | 1.8 | 0.8 | 4.2 | 4.3 | 2.6 | 2.6 | 2.0 | 6.4 | 0.8 | 16 | | |
| | 7-1452665-1 | A | 0.35 | 1.75 | 22 | - | | | | 5 | 2 | 1.8 | 1.8 | 0.8 | 4.2 | 4.3 | 2.6 | 2.6 | 2.0 | 6.4 | 0.8 | 16 | | |
| | 7-1452668-3 | A | 0.5- | 1.4- | 20 | 0.5 | | | | 7 | 2 | 2.0 | 2.1 | 1.1 | 4.2 | 4.3 | 2.7 | 2.6 | 2.0 | 6.4 | 0.8 | 16 | | |
| | 7-1452668-2 | A | 0.5- | 1.4- | - | 0.75 | | | | 6 | 2 | 2.0 | 2.1 | 1.1 | 4.2 | 4.3 | 2.7 | 2.6 | 2.0 | 6.4 | 0.8 | 16 | | |
| | 7-1452668-1 | A | 0.75 | 1.9 | - | 0.75 | | | | 5 | 2 | 2.0 | 2.1 | 1.1 | 4.2 | 4.3 | 2.7 | 2.6 | 2.0 | 6.4 | 0.8 | 16 | | |
| | 7-1452671-3 | A | 1- | 1.9- | 18 | - | | | | 7 | 2 | 2.6 | 2.9 | 1.35 | 4.4 | 4.3 | 2.9 | 3.0 | 2.0 | 6.8 | 0.8 | 16.55 | | |
| | 7-1452671-2 | A | 1- | 1.9- | - | 1 | | | | 6 | 2 | 2.6 | 2.9 | 1.35 | 4.4 | 4.3 | 2.9 | 3.0 | 2.0 | 6.8 | 0.8 | 16.55 | | |
| | 7-1452671-1 | A | 1.5 | 2.4 | 16 | - | | | | 5 | 2 | 2.6 | 2.9 | 1.35 | 4.4 | 4.3 | 2.9 | 3.0 | 2.0 | 6.8 | 0.8 | 16.55 | | |

7- VARIANTS FOR NEW APPLICATIONS

- NOTES
Bemerkungen
- 4 ONLY FOR FLR-WIRE SEE DIN 72551, PART 6 AND AWG WIRE ACCORDING DC-SPEC: MS-8288 ; MS-7889 ; MS-9532
Nur fuer FLR-Leitung nach DIN 72551, Teil 6 und AWG Leitung nach DC-SPEC: MS-8288 ; MS-7889 ; MS-9532
 - 5 PRE TIN SnAg 1.0 TO 3.0µm
Vorverzinkt SnAg 1.0 bis 3.0µm
 - 6 SPRING GOLD PLATED MIN. 0.8µm (only contact area)
Kontaktfeder galv. vergoldeft min.0.8µm (nur Kontaktzone)
 - 7 SPRING SILVER PLATED 2.0 TO 5.0µm (only contact area)
Kontaktfeder galv. versilbert 2.0 bis 5.0µm (nur Kontaktzone)
 - 8 BODY PRE TIN Sn 1.0 TO 3.0µm
Kontaktkoerper vorverzinkt Sn 1.0 bis 3.0µm
 - 9 REINFORCED WIRE ACCORDING TO LV 112-4
Zugverstaerkte Leitung nach LV 112-4

| VERSION / Ausführung | REV. | RANGE Bereich | INSULATION-Ø Isolations-Ø (mm) | AWG | mm ² | BODY Kontakt-körper | SPRING Kontakt-feder | BODY Kontakt-körper | SPRING Kontakt-feder | DESIGN WIRE-CRIMP Ausführung Draht-Crimp | SINGLE WIRE SEAL FOR CAVITY DIAMETER | | | | | | | | | | BLINDPLUG ORDER NO. Blindstopfen Bestell-Nr. | APPLICATION TOOLS Verarbeitungswerkzeuge | | |
|--|-------------|---------------|--------------------------------|------|-----------------|---------------------|----------------------|---------------------|----------------------|--|--------------------------------------|-----|-----------------|------|-----|------------------|-----|-----|-----|-----|--|--|---|--|
| | | | | | | | | | | | A | B | D _{Dr} | C | E | D _{ISO} | F | G | H | J | | | K | |
| STANDARD APPLICATION Standardanwendung | 0-1452665-3 | B | 0.25- | 1.1- | - | 0.25 | CuSn0.15/0.2 | CuNiSi | 5 | 7 | 2 | 1.8 | 1.8 | 0.8 | 4.2 | 4.3 | 2.6 | 2.6 | 2.0 | 6.4 | 0.8 | 16 | SEE APPLICATION SPEC. 114-18464 siehe Verarbeitungsspez. 114-18464 | |
| | 0-1452665-2 | B | 0.25- | 1.1- | 24 | - | | | | 6 | 2 | 1.8 | 1.8 | 0.8 | 4.2 | 4.3 | 2.6 | 2.6 | 2.0 | 6.4 | 0.8 | 16 | | |
| | 0-1452665-1 | B | 0.35 | 1.75 | 22 | - | | | | 5 | 2 | 1.8 | 1.8 | 0.8 | 4.2 | 4.3 | 2.6 | 2.6 | 2.0 | 6.4 | 0.8 | 16 | | |
| | 0-1452668-3 | C | 0.5- | 1.4- | 20 | 0.5 | | | | 7 | 2 | 2.0 | 2.1 | 1.1 | 4.2 | 4.3 | 2.7 | 2.6 | 2.0 | 6.4 | 0.8 | 16 | | |
| | 0-1452668-2 | C | 0.5- | 1.4- | - | 0.75 | | | | 6 | 2 | 2.0 | 2.1 | 1.1 | 4.2 | 4.3 | 2.7 | 2.6 | 2.0 | 6.4 | 0.8 | 16 | | |
| | 0-1452668-1 | C | 0.75 | 1.9 | - | 0.75 | | | | 5 | 2 | 2.0 | 2.1 | 1.1 | 4.2 | 4.3 | 2.7 | 2.6 | 2.0 | 6.4 | 0.8 | 16 | | |
| | 0-1452671-3 | B | 1- | 1.9- | 18 | - | | | | 7 | 3 | 2.6 | 2.9 | 1.35 | 4.4 | 4.3 | 2.9 | 3.0 | 2.0 | 6.8 | 0.8 | 16.55 | | |
| | 0-1452671-2 | B | 1- | 1.9- | - | 1 | | | | 6 | 3 | 2.6 | 2.9 | 1.35 | 4.4 | 4.3 | 2.9 | 3.0 | 2.0 | 6.8 | 0.8 | 16.55 | | |
| | 0-1452671-1 | B | 1.5 | 2.4 | 16 | - | | | | 5 | 3 | 2.6 | 2.9 | 1.35 | 4.4 | 4.3 | 2.9 | 3.0 | 2.0 | 6.8 | 0.8 | 16.55 | | |
| | 0-1452653-3 | B | 0.25- | 1.1- | - | 0.25 | | | | 7 | 2 | 1.8 | 1.8 | 0.8 | 4.2 | 4.3 | 2.6 | 2.6 | 2.0 | 5.7 | 0.2 | 15 | | |
| | 0-1452653-2 | B | 0.25- | 1.1- | 24 | - | | | | 6 | 2 | 1.8 | 1.8 | 0.8 | 4.2 | 4.3 | 2.6 | 2.6 | 2.0 | 5.7 | 0.2 | 15 | | |
| | 0-1452653-1 | B | 0.35 | 1.75 | 22 | - | | | | 5 | 2 | 1.8 | 1.8 | 0.8 | 4.2 | 4.3 | 2.6 | 2.6 | 2.0 | 5.7 | 0.2 | 15 | | |
| 0-1452656-3 | C | 0.5- | 1.4- | 20 | 0.5 | 7 | 2 | 2.0 | 2.1 | 1.1 | 2.7 | 2.9 | 1.6 | 3.0 | 2.0 | 6.1 | 0.2 | 16 | | | | | | |
| 0-1452656-2 | C | 0.5- | 1.4- | - | 0.75 | 6 | 2 | 2.0 | 2.1 | 1.1 | 2.7 | 2.9 | 1.6 | 3.0 | 2.0 | 6.1 | 0.2 | 16 | | | | | | |
| 0-1452656-1 | C | 0.75 | 1.9 | - | 0.75 | 5 | 2 | 2.0 | 2.1 | 1.1 | 2.7 | 2.9 | 1.6 | 3.0 | 2.0 | 6.1 | 0.2 | 16 | | | | | | |
| 0-1452659-3 | B | 1- | 1.9- | 18 | - | 7 | 3 | 2.6 | 2.9 | 1.35 | 3.7 | 3.9 | 2.1 | 3.0 | 2.0 | 6.1 | 0.2 | 16 | | | | | | |
| 0-1452659-2 | B | 1- | 1.9- | - | 1 | 6 | 3 | 2.6 | 2.9 | 1.35 | 3.7 | 3.9 | 2.1 | 3.0 | 2.0 | 6.1 | 0.2 | 16 | | | | | | |
| 0-1452659-1 | B | 1.5 | 2.4 | 16 | - | 5 | 3 | 2.6 | 2.9 | 1.35 | 3.7 | 3.9 | 2.1 | 3.0 | 2.0 | 6.1 | 0.2 | 16 | | | | | | |

0- VARIANTS SUPERSEDED BY 7- VARIANTS (SEE TABLE ON TOP)

THIS DRAWING IS A CONTROLLED DOCUMENT.

| | | | |
|------------------|-----------|---------------|-----------------------------|
| OWN: E. Horn | 11NOV2011 | | TE Connectivity |
| CHK: R. Meier | 11NOV2011 | | |
| APVD: V. Seigel | 11NOV2011 | NAME | MCON 1.2 LL (LOCKING-LANCE) |
| PRODUCT SPEC | 108-18782 | SIZE | CAGE CODE DRAWING NO |
| APPLICATION SPEC | 114-18464 | RESTRICTED TO | - |
| WEIGHT | - | SCALE | - |
| Customer Drawing | 00779 | SHEET | 2 OF 2 |

Customer Drawing

X-ON Electronics

Largest Supplier of Electrical and Electronic Components

Click to view similar products for [Automotive Connectors](#) category:

Click to view products by [TE Connectivity](#) manufacturer:

Other Similar products are found below :

[003-018-000](#) [60403001](#) [60993906-B](#) [M902-2131](#) [M902-2161](#) [M902-2344](#) [72.330.1035.1](#) [73.353.4028.0](#) [F119300-B](#) [F166900](#) [F258300-B](#)
[F358300-B](#) [F407400](#) [F444110](#) [F487000](#) [F509500B-B](#) [827153-1](#) [8N1515-32-24P](#) [9-1326729-8](#) [925474-1](#) [928905-1](#) [964562-4](#) [968782-1](#)
[GT17SA-8DS-HU](#) [98891-1012](#) [98947-1016](#) [12004147](#) [12004475-L](#) [12010290](#) [12010309-B](#) [12015454](#) [12020219-B](#) [12041318-B](#) [12052225-](#)
[L](#) [12052466](#) [12064869](#) [12004327-B](#) [12015308](#) [12015384](#) [12015909](#) [1-21030-1](#) [12041254](#) [12041318](#) [12047946-B](#) [12047957](#) [12047957-L](#)
[12059473](#) [12066261](#) [12110546](#) [12110546-B](#)