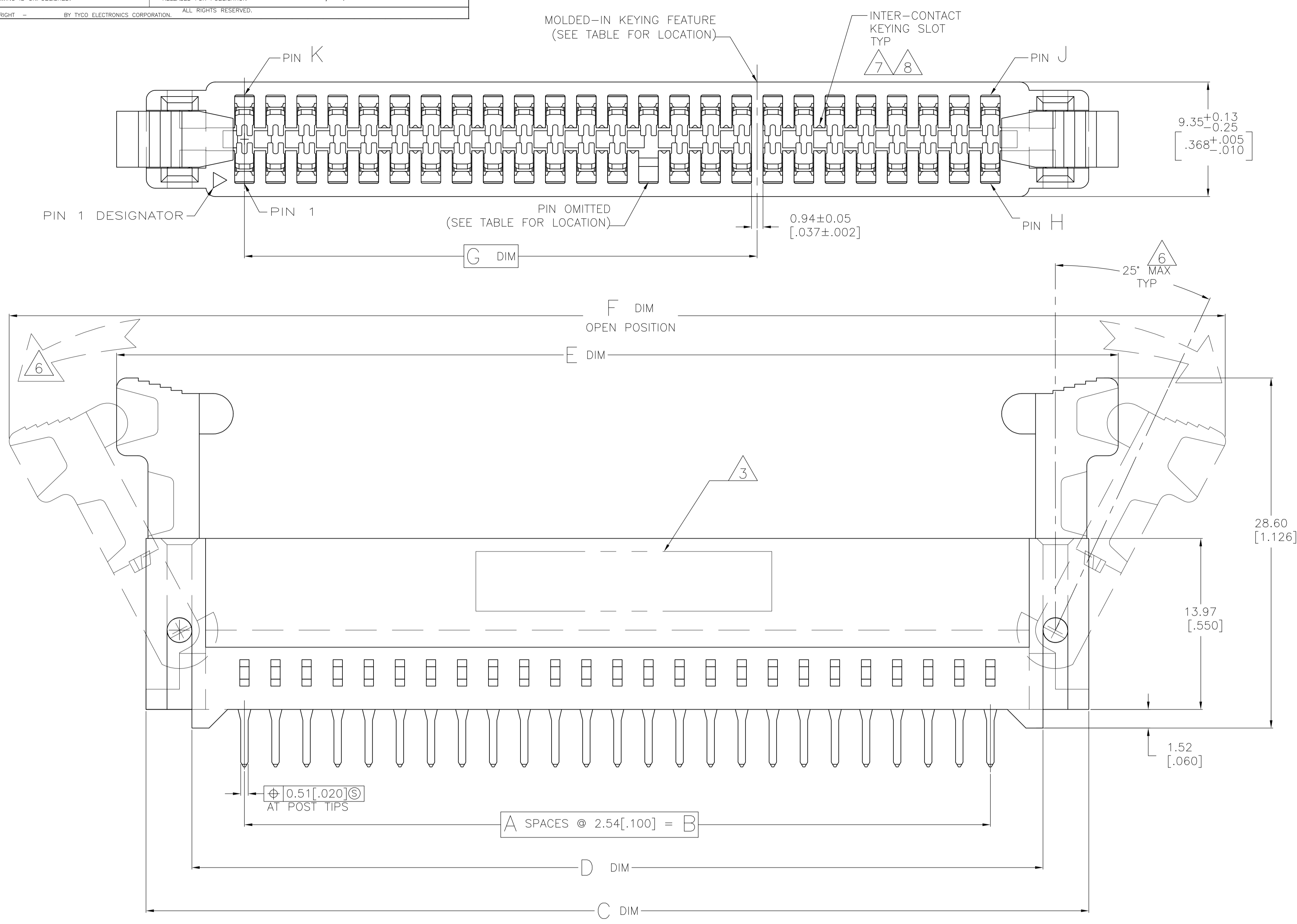
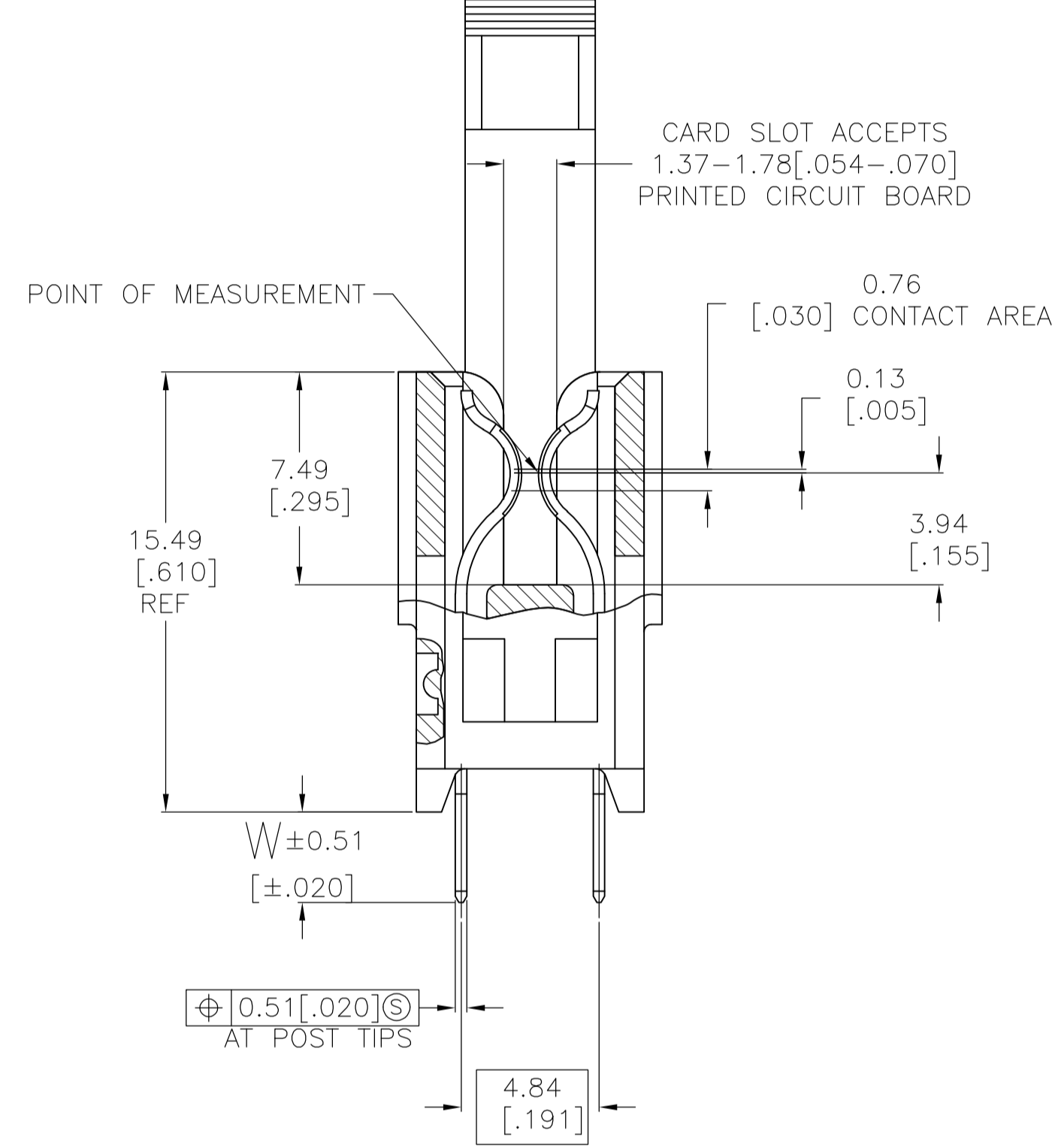


REVISONS		DATE	BY	APP'D
P	ECO-07-026535	07MAR2008	LAM	AWF
P1	REV PER ECO-09-021826	07JAN10	KK	AEG



- MATERIAL:  
HOUSING: GLASS FILLED POLYESTER, COLOR: BLACK.  
CONTACT: PHOS BRONZE  
LATCH: GLASS FILLED POLYESTER, COLOR: BLACK
- FINISH:  
0.00076[.000030] MIN GOLD PLATE IN CONTACT AREA,  
0.00254[.000100] MIN TIN-LEAD ON SOLDER POSTS, ALL  
OVER 0.00127[.000050] MIN NICKEL
- AMP LOGO, TE PART NUMBER, DATE CODE AND CSA LOGO INK STAMPED WHITE (HOT STAMPED OR LAZER PRINTED) IN THE APPROXIMATE AREA SHOWN, EITHER SIDE PERMISSABLE, WHEN HOUSING SIZE PERMITS
- DATUMS AND BASIC DIMENSIONS ESTABLISHED BY CUSTOMER
- CONNECTORS SHOWN ARE USED IN APPLICATIONS WITH VRM MODULES WEIGHING 3 OUNCES OR LESS. ALTERNATE CONNECTOR AND LATCH METHOD IS AVAILABLE FOR VRM MODULES WEIGHING UP TO 6 OUNCES.
- CAUTION: LATCHES ARE INTENDED FOR RETENTION OF PC BOARD TO CONNECTOR, DO NOT ATTEMPT TO FULLY EJECT PC BOARD FROM CONNECTOR WHILE DISENGAGING LATCHES. DAMAGE TO LATCHES AND/OR CONNECTOR MAY OCCUR
- CONNECTORS WITHOUT MOLDED-IN KEYING FEATURE REQUIRE THE USE OF INTERCONTACT KEY PLUG 650025-2. KEY PLACEMENT WITHIN CONNECTOR AT DISCRETION OF END USER
- KEY SLOT REQUIRED WITH USE OF INTERCONTACT KEY PLUG, LOCATION TO CORRESPOND
- OBsolete PARTS: OBsolete CIS STREAMLINING PER D.RENAUD/D.SINISI



SUPERCEDED	3-145459-1
SUPERCEDED	3-145459-0
SUPERCEDED	2-145459-0
SUPERCEDED	1-145459-5
SUPERCEDED	1-145459-4
SUPERCEDED	1-145459-3
OBsolete	145459-7
SUPERCEDED	145459-4

23 & 24	14	3.81 [.150]	31.57 [1.243]	59.51 [2.343]	70	36	35	57.15 [2.250]	123.17 [4.85]	104.9 [4.13]	92.68 [3.649]	100.18 [3.944]	86.36 [3.400]	34	35	2-145459-5
31 & 32	65	3.81 [.150]	11.26 [.443]	79.82 [3.143]	70	36	35	77.46 [3.050]	123.17 [4.85]	104.9 [4.13]	92.68 [3.649]	100.18 [3.944]	86.36 [3.400]	34	35	2-145459-2
27 & 28	67	3.81 [.150]	21.41 [.843]	69.68 [2.743]	70	36	35	67.31 [2.650]	123.17 [4.85]	104.9 [4.13]	92.68 [3.649]	100.18 [3.944]	86.36 [3.400]	34	35	2-145459-1
27 & 28	4	3.18 [.125]	21.41 [.843]	69.68 [2.743]	70	36	35	67.31 [2.650]	123.17 [4.85]	104.9 [4.13]	92.68 [3.649]	100.18 [3.944]	86.36 [3.400]	34	35	1-145459-0
9 & 10	-	3.18 [.125]	41.73 [1.643]	23.95 [.943]	50	26	25	21.59 [.850]	97.76 [3.85]	79.5 [3.13]	67.28 [2.649]	74.78 [2.944]	60.96 [2.400]	24	25	1-145459-9
19 & 20	-	3.18 [.125]	16.33 [.643]	49.35 [1.943]	50	26	25	46.98 [1.850]	97.76 [3.85]	79.5 [3.13]	67.28 [2.649]	74.78 [2.944]	60.96 [2.400]	24	25	145459-6
23 & 24	-	3.18 [.125]	31.57 [1.243]	59.51 [2.343]	70	36	35	57.15 [2.250]	123.17 [4.85]	104.9 [4.13]	92.68 [3.649]	100.18 [3.944]	86.36 [3.400]	34	35	145459-5
7 8	-	3.18 [.125]	7 8	7 8	70	36	35	7 8	123.17 [4.85]	104.9 [4.13]	92.68 [3.649]	100.18 [3.944]	86.36 [3.400]	34	35	145459-2
MOLDED-IN KEYING FEATURE LOCATED BETWEEN PINS	OMITTED PIN AND HOLE	W	P	N	K	J	H	G	F	E	D	C	B	A	NO OF DUAL POSITIONS	PART NUMBER

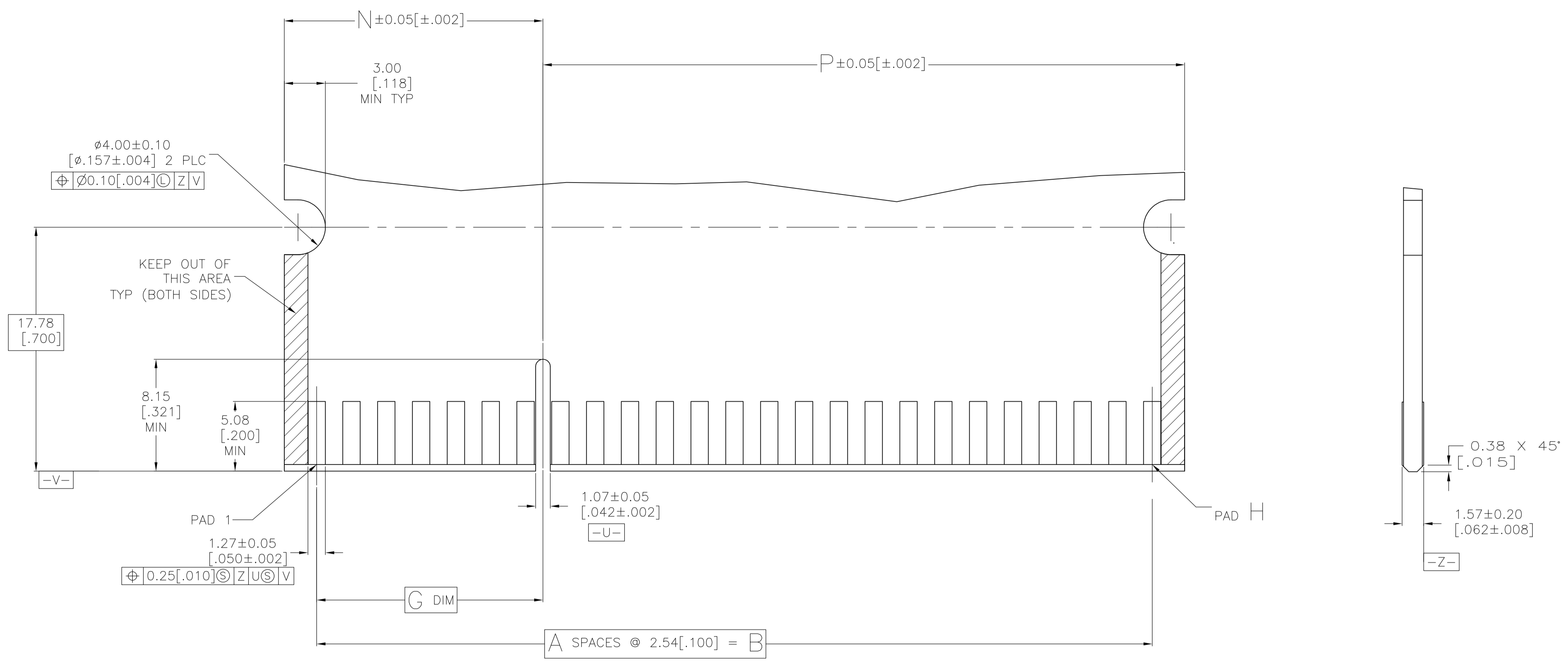
9 OBsolete

THIS DRAWING IS A CONTROLLED DOCUMENT.

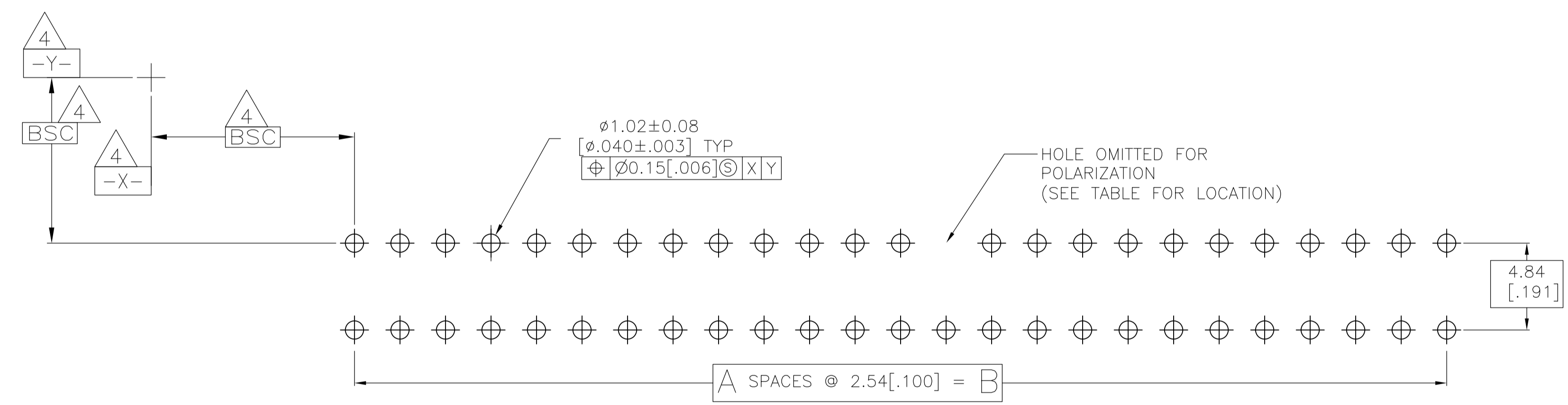
DIMENSIONS: mm [INCHES]	TOLERANCES UNLESS OTHERWISE SPECIFIED:	DRAWING NO	DATE
0 PLC ± .005	1 PLC ± .005	114-13018	07MAR2008
2 PLC ± .010	3 PLC ± .015	108-9039	07MAR2008
4 PLC ± .020	ANGLES ± .5°	114-13018	07MAR2008

AWF  
S. FLICKINGER  
CONNECTOR ASSEMBLY, STANDARD EDGE II, 2.54[.100] CENTERLINE

SCALE 5:1 SHEET 1 OF 2 REV P1



RECOMMENDED MATING BOARD EDGE CONFIGURATION



RECOMMENDED PC BOARD HOLE LAYOUT

THIS DRAWING IS A CONTROLLED DOCUMENT.		DIN MM/LA.MAYER 07MAR2008		Tyco Electronics Corporation Harrisburg, PA 17105-3608	
DIMENSIONS: mm [INCHES]		TOLERANCES UNLESS OTHERWISE SPECIFIED:		APVD S.FLICKINGER 07MAR2008	
0 PLC ± -		1 PLC ± -		NAME	
2 PLC ± 0.13 [.005]		3 PLC ± -		CONNECTION ASSEMBLY, STANDARD EDGE II, 2.54 [.100] CENTERLINE	
4 PLC ± -		ANGLES ± °		SIZE	
MATERIAL SEE NOTE 1		FINISH SEE NOTE 2		114-13018	
				WEIGHT	
				A1 00779 C=145459	
				CUSTOMER DRAWING	
				SCALE 5:1 SHEET 2 OF 2 REV P1	

## X-ON Electronics

Largest Supplier of Electrical and Electronic Components

*Click to view similar products for [Standard Card Edge Connectors](#) category:*

*Click to view products by [TE Connectivity](#) manufacturer:*

Other Similar products are found below :

[6565204-6](#) [PKC-156](#) [1437274-4](#) [147889-1](#) [1489165-4](#) [1-582587-1](#) [1-582589-1](#) [2-6437275-9](#) [284-0102-12100](#) [306022901000000](#) [307-012-502-202](#) [307-024-526-201](#) [307-056-520-300](#) [307-080-526-208](#) [245-062-520-350](#) [287-0032-12101](#) [306-028-525-102](#) [306-240-318](#) [307-036-502-202](#) [307-036-521-301](#) [307-072-526-202](#) [345-060-559-303](#) [368-004-520-201](#) [392-008-559-201](#) [534671-1](#) [5-530501-5](#) [341-240-317](#) [345-029-520-300](#) [345-030-500-301](#) [345-044-500-300](#) [345-220-058](#) [346-240-318](#) [357-030-526-201](#) [387-012-523-300](#) [395-044-520-300](#) [395-100-524-300](#) [50-12B-10](#) [50-6SN-5](#) [09-07-2032](#) [10035388-106LF](#) [10035388-802LF](#) [10122859-009LF](#) [530555-1](#) [EBT156-15A2X](#) [2007209-1](#) [5-678046-1](#) [1766200-1](#) [650231-6](#) [650289-1](#) [73726-0005](#)