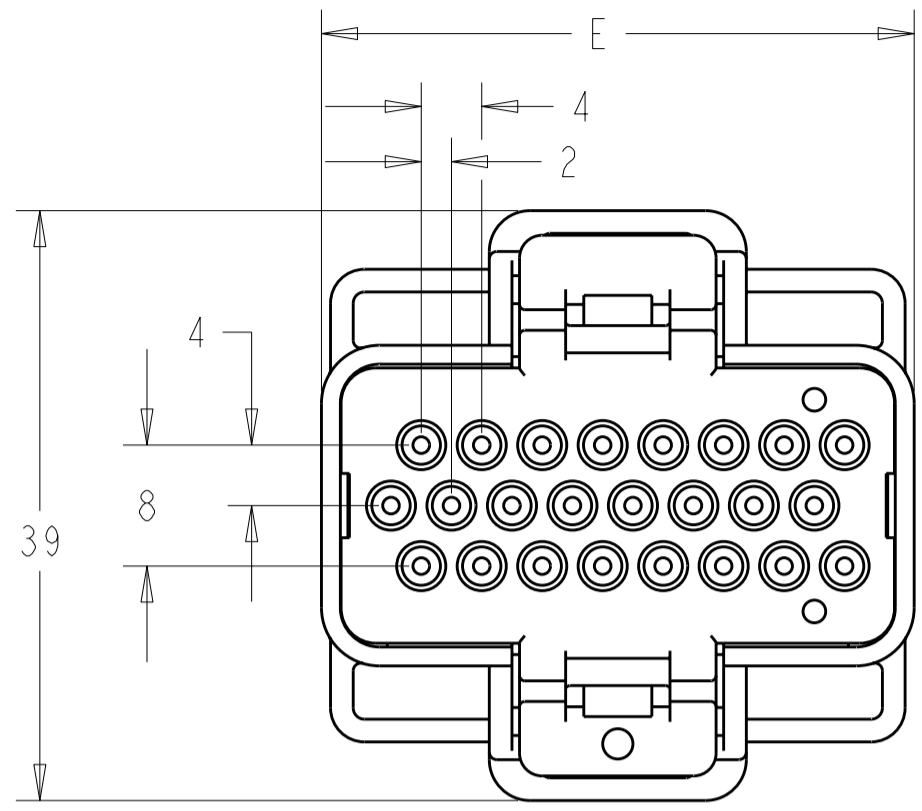
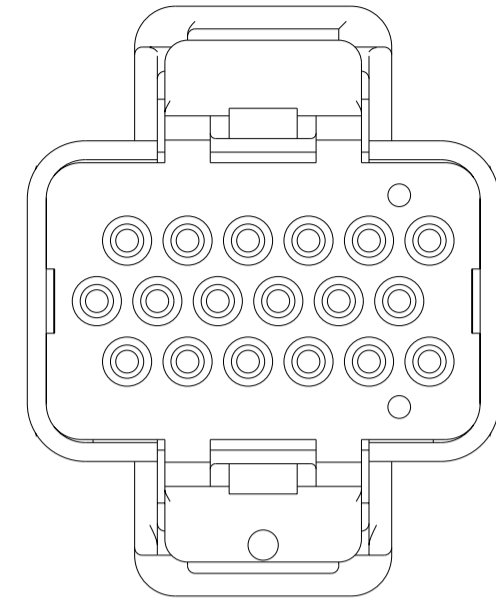


THIS DRAWING IS UNPUBLISHED. RELEASED FOR PUBLICATION 20  
 © COPYRIGHT 20 ALL RIGHTS RESERVED.

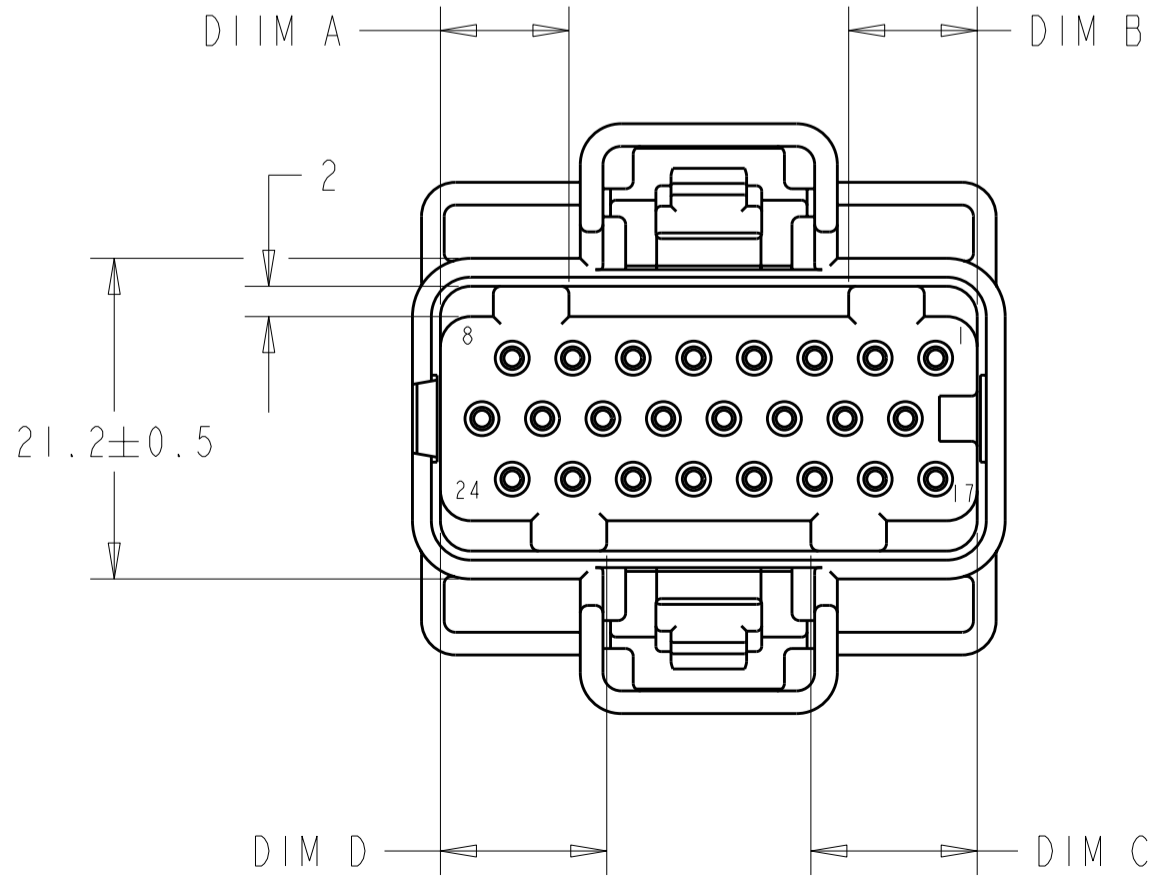
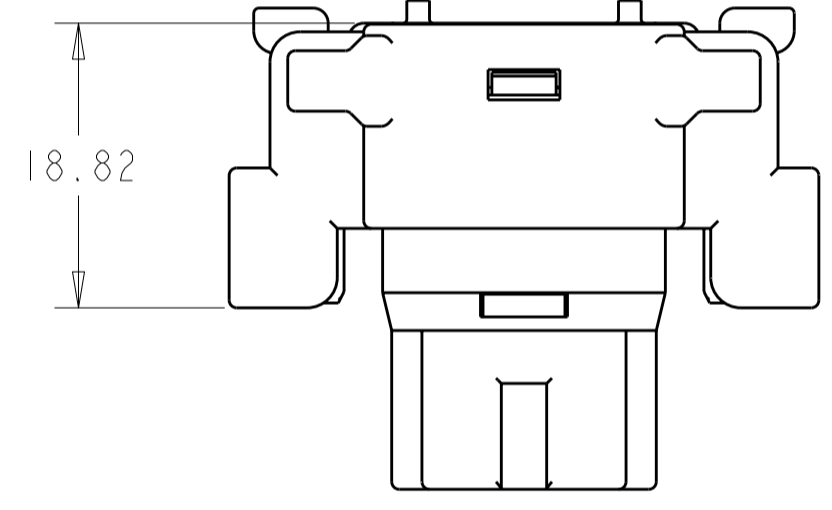
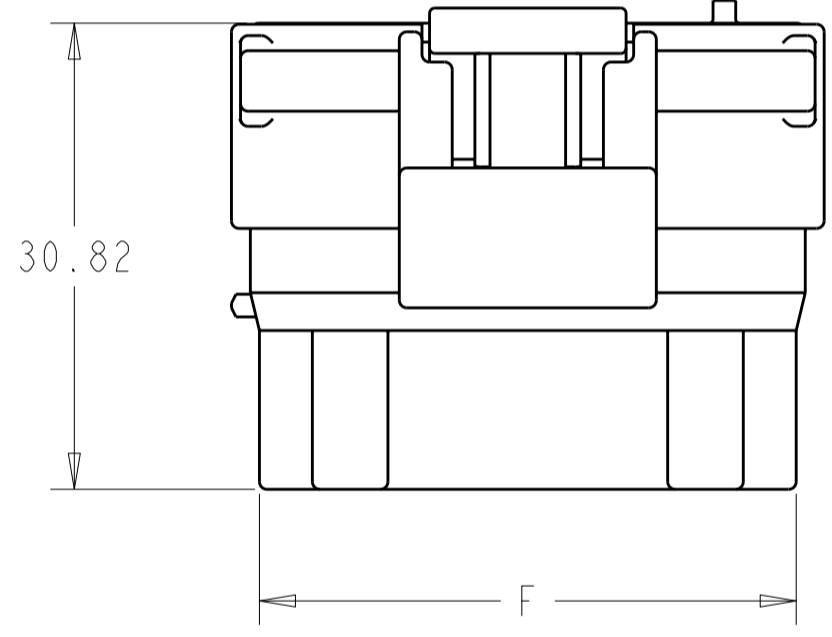
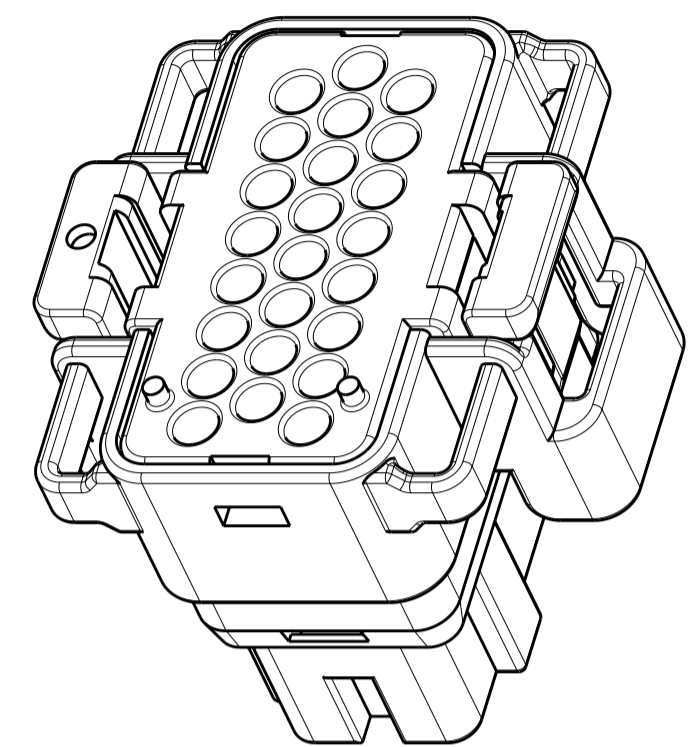
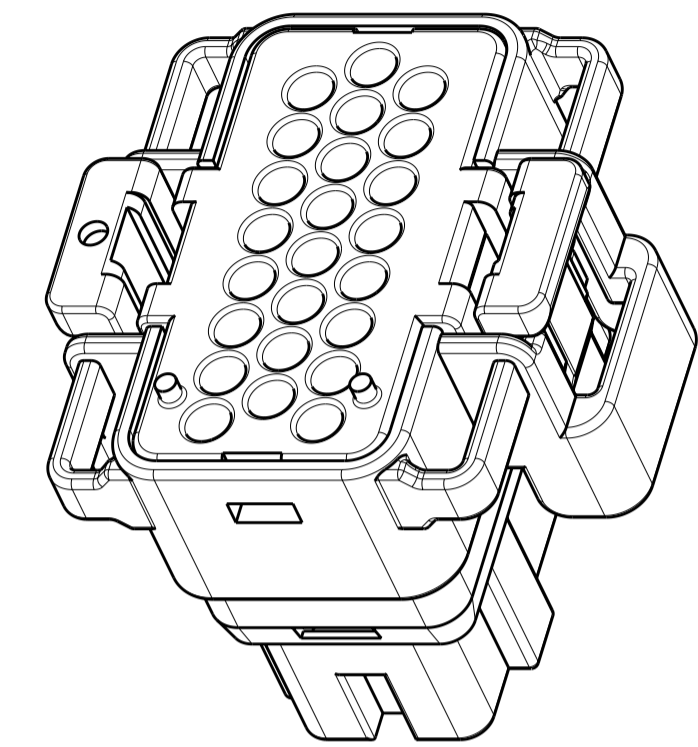
LOC		DIST		REVISIONS			
P	LTR	DESCRIPTION	DATE	DWN	APVD		
HK	00	BI	REVISED PER ECO-11-005030	30APR2011	RK	HMR	



STYLE A  
(WITH STIRRUPS)



STYLE B  
(WITHOUT STIRRUPS)



TE PART NO.	T&B PART NO.	NO. OF POSITIONS	DIM A	DIM B	DIM C	DIM D	DIM E	DIM F	STIRRUP STYLE	COLOR
4-1437287-7	130025603205	32	12.00	12.00	12.00	9.00	49.2	45.5	A	BLACK
4-1437287-5	130025602401	24	7.50	12.00	9.00	9.00	39.2	35.5	A	BLACK
4-1437287-6	130025602402	24	7.50	11.00	11.00	9.00	39.2	35.5	A	BLACK
1456016-1	130025602403	24	7.50	11.00	11.00	12.00	39.2	35.5	A	GREY
1456016-2	130025602404	24	9.00	11.00	11.00	9.00	39.2	35.5	A	GREY
1456016-3	130025602405	24	12.00	12.00	12.00	9.00	39.2	35.5	A	NATURAL
1456016-4	130025602406	24	11.00	12.00	9.00	9.00	39.2	35.5	A	NATURAL
N/A	1300256018XX	18	N/A	N/A	N/A	N/A	31.2	27.5	B	BLACK
N/A	1300256020XX	20	N/A	N/A	N/A	N/A	33.2	29.5	B	BLACK
N/A	1300256014XX	14	N/A	N/A	N/A	N/A	25.2	21.5	B	BLACK

THIS DRAWING IS A CONTROLLED DOCUMENT.

DIMENSIONS: mm

TOLERANCES UNLESS OTHERWISE SPECIFIED:

0 PLC	±1
1 PLC	±0.3
2 PLC	±0.15
3 PLC	±0.070
4 PLC	±0.0500
ANGLES	±2
FINISH	

MATERIAL: -

WEIGHT: - 1

CUSTOMER DRAWING

DWN: R. HARDISON 02OCT2000  
 CHK: R. HARDISON 02OCT2000  
 APVD: R. HARDISON 02OCT2000

PRODUCT SPEC: -  
 APPLICATION SPEC: -

NAME: SOCKET ASSEMBLY, SEALED IMM I/O CONNECTOR SYSTEM

SIZE: A2 CAGE CODE: 00779 DRAWING NO: 1456016 RESTRICTED TO: -

SCALE: 2:1 SHEET 1 OF 1 REV: BI

TE Connectivity

## X-ON Electronics

Largest Supplier of Electrical and Electronic Components

*Click to view similar products for [Headers & Wire Housings](#) category:*

*Click to view products by [TE Connectivity](#) manufacturer:*

Other Similar products are found below :

[892-18-020-10-001101](#) [58102-G61-06LF](#) [582553-1](#) [0009485154](#) [009176003701906](#) [0050291907](#) [LY20-4P-DT1-P1E-BR](#) [02.125.8002.8](#)  
[609-3404](#) [61062-3](#) [61082-181009](#) [622-3653LF](#) [63453-116](#) [636-1030](#) [636-1427](#) [636-3427](#) [636-4007](#) [641938-9](#) [641991-4](#) [644827-2](#) [65817-010LF](#) [65817-015LF](#) [65863-015LF](#) [66207-023LF](#) [67095-007LF](#) [67601157](#) [68645-018](#) [68648-049](#) [70.362.1628.0](#) [70-4210](#) [70-4226B](#) [70-4853B](#) [707-5020](#) [707-5028](#) [71.350.2428.0](#) [71918-208LF](#) [71961-016LF](#) [733-134](#) [733-162](#) [754199-000](#) [760-3052](#) [787-8014-00](#) [79531-3000](#)  
[FCN-360C032-B](#) [FCN-367T-T012/H](#) [FCN-723D010/2](#) [80.063.4001.1](#) [800-90-001-10-001000](#) [800-90-010-10-002000](#) [801-43-002-10-013000](#)