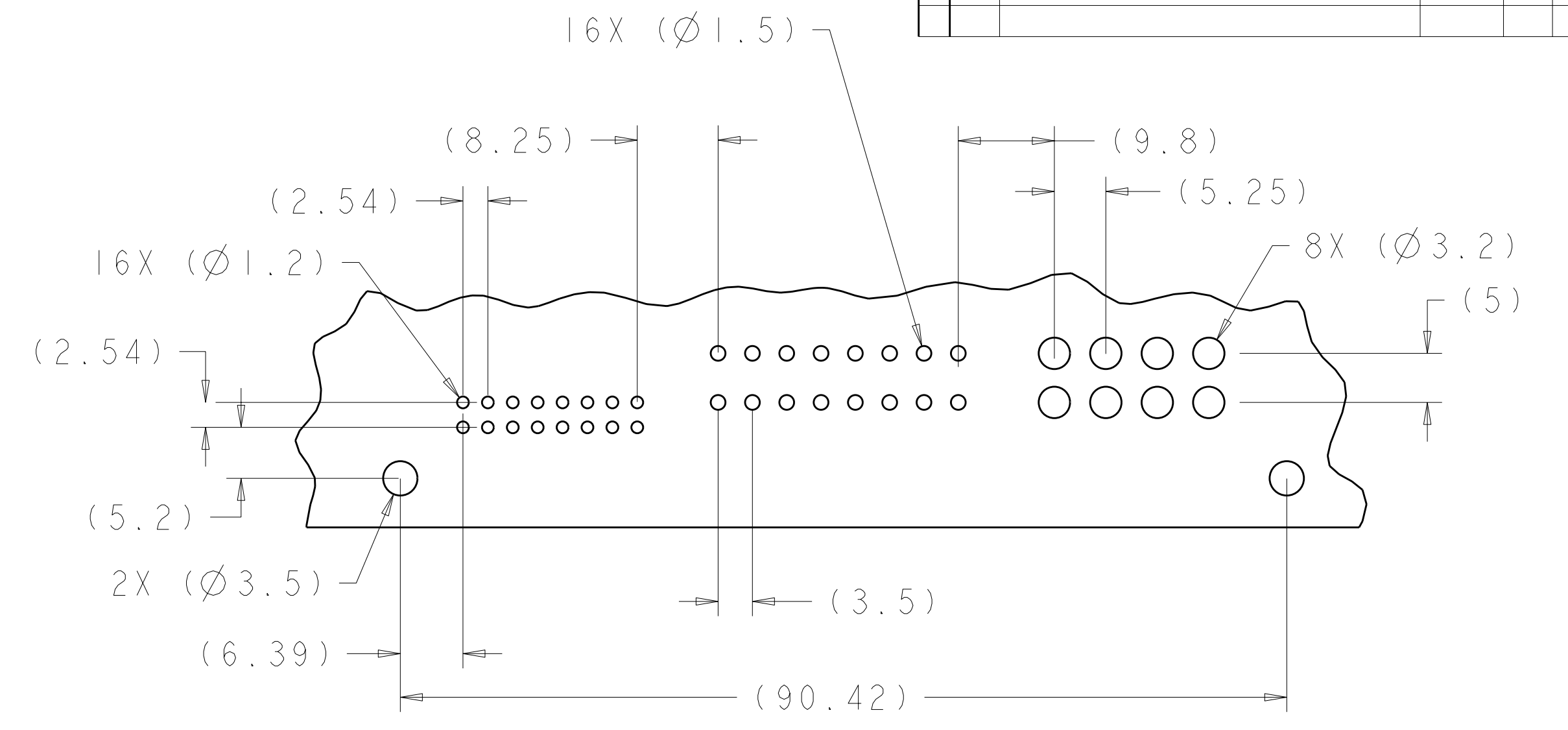
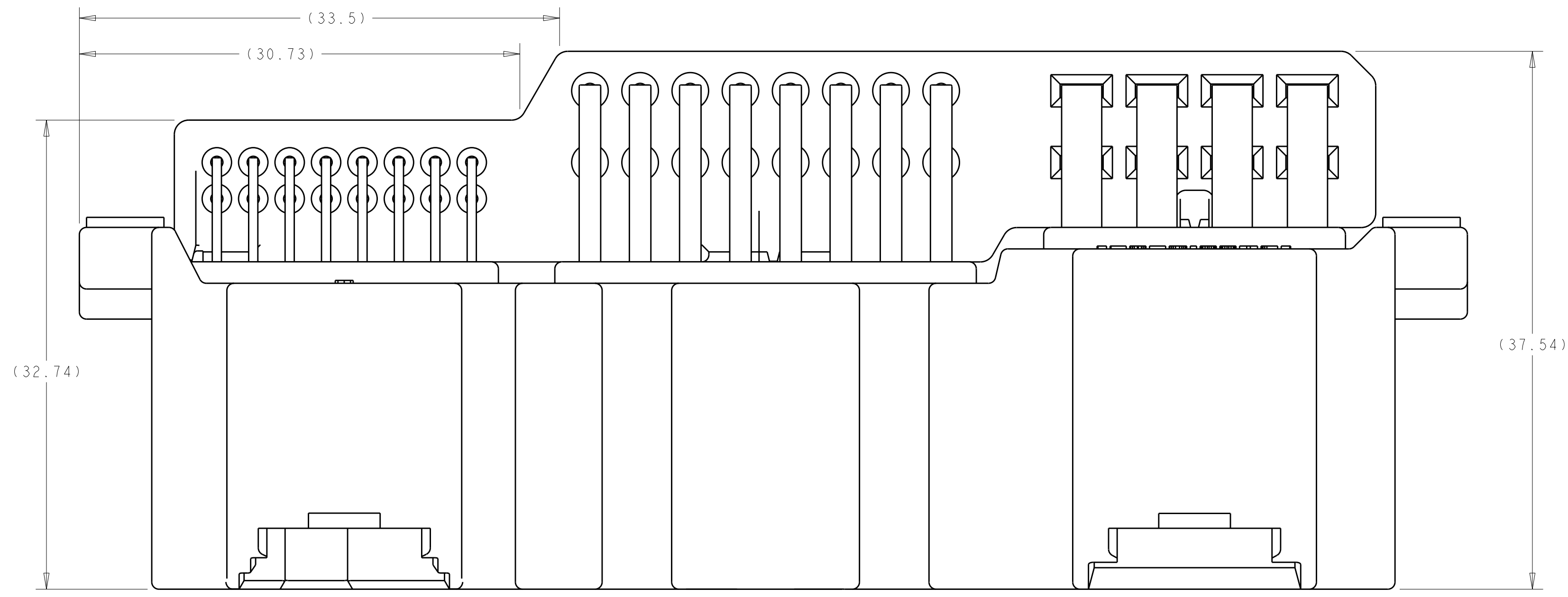
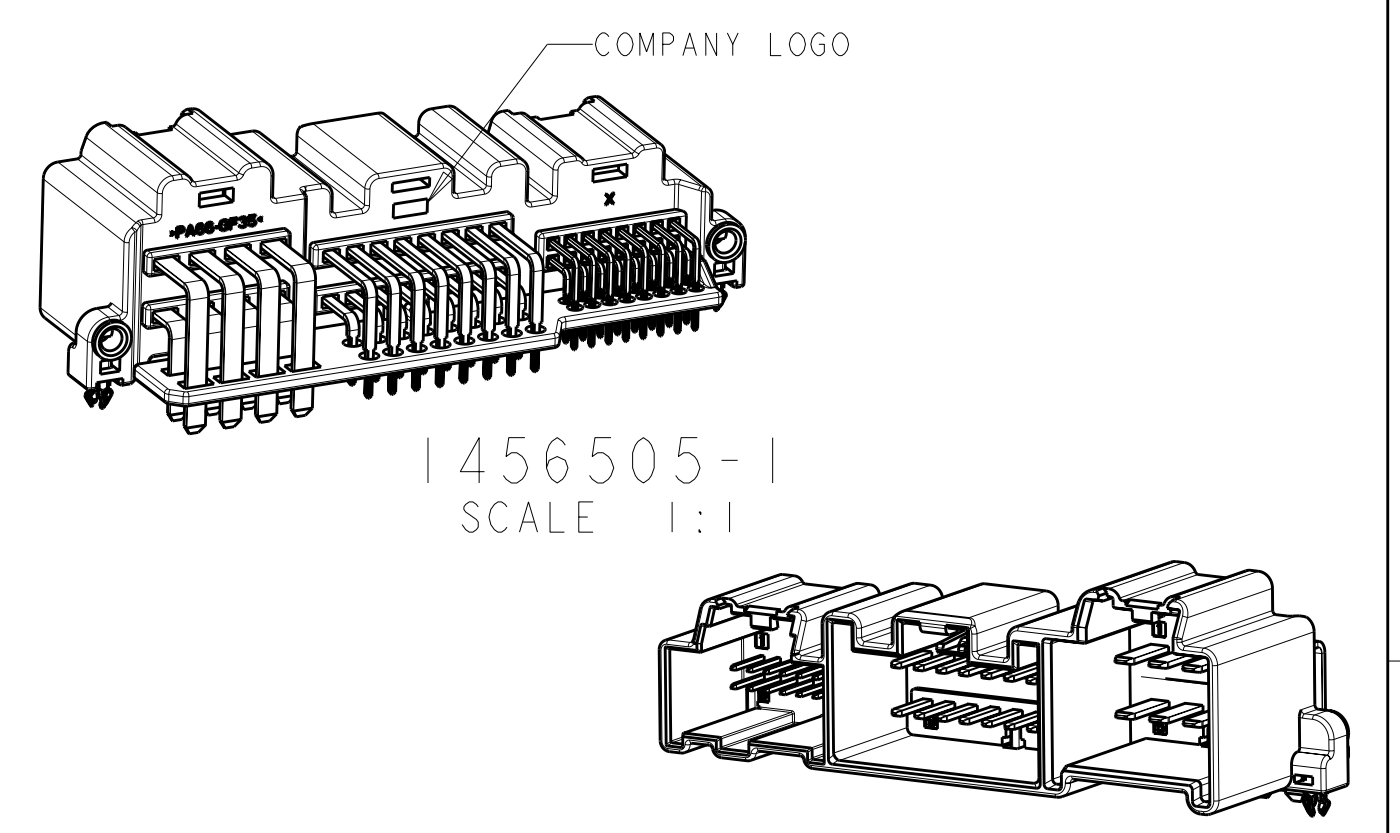
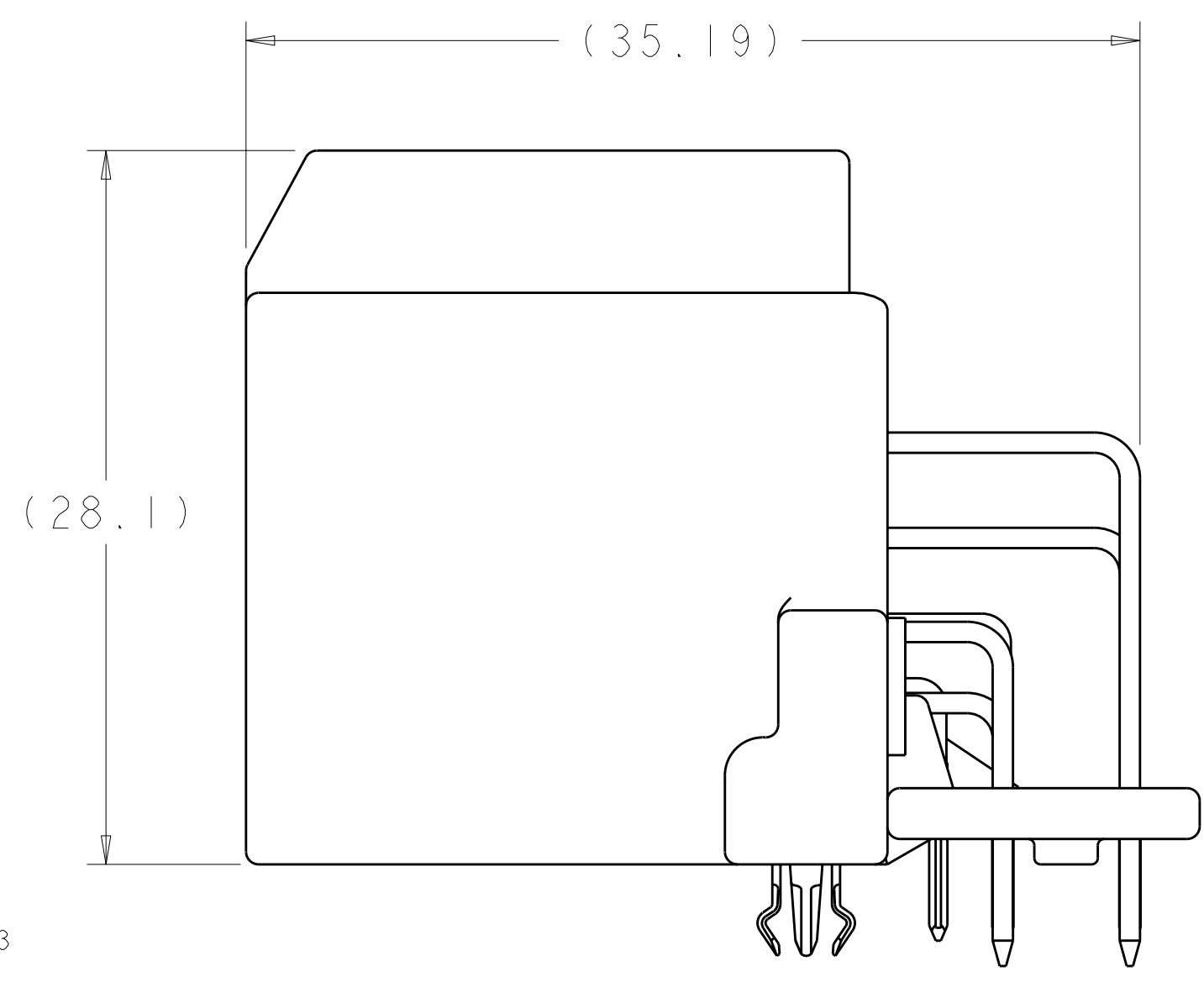
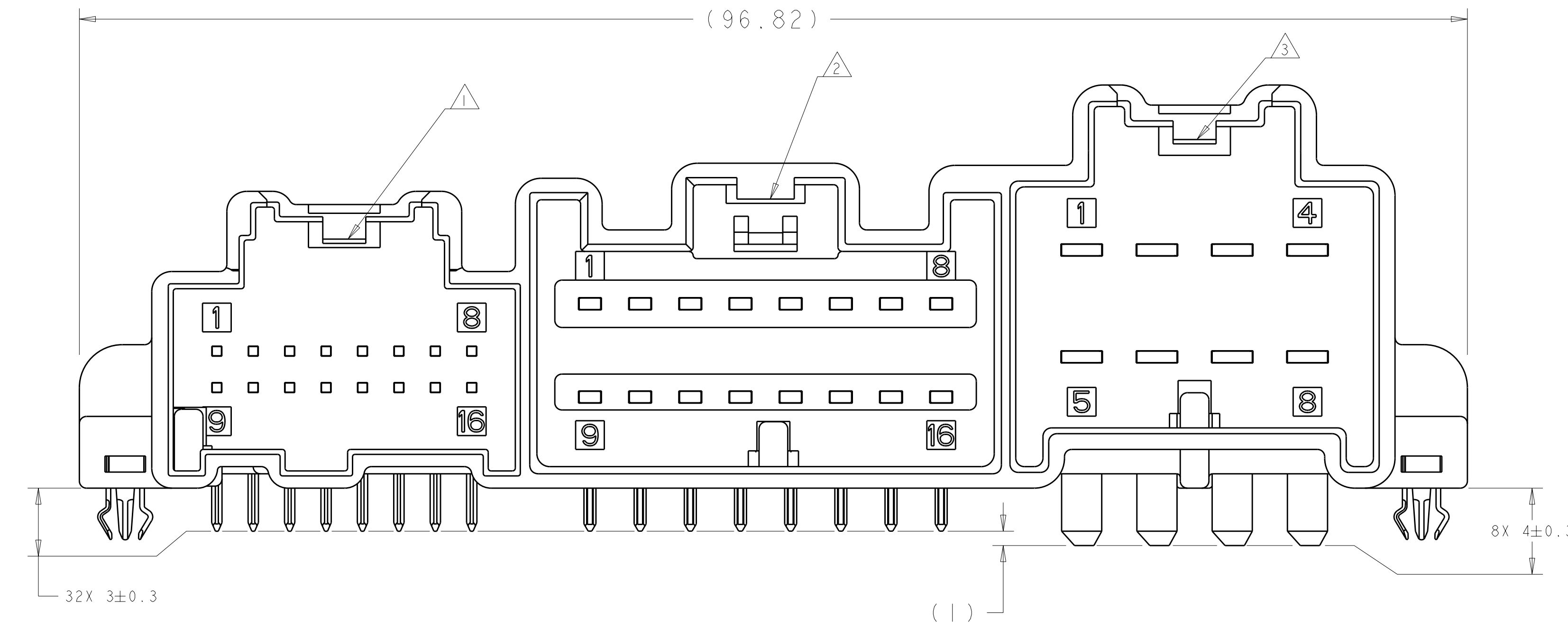


LOC	DIST	REV	DATE	BY	APPD
FX	00				

REVISIONS		DATE	BY	APPD
A4	REVISED PER ECR 07-025294	23OCT2007	DLD	MHB
A5	REV PER ECR-10-012887	17JUN2010	VSS	MB

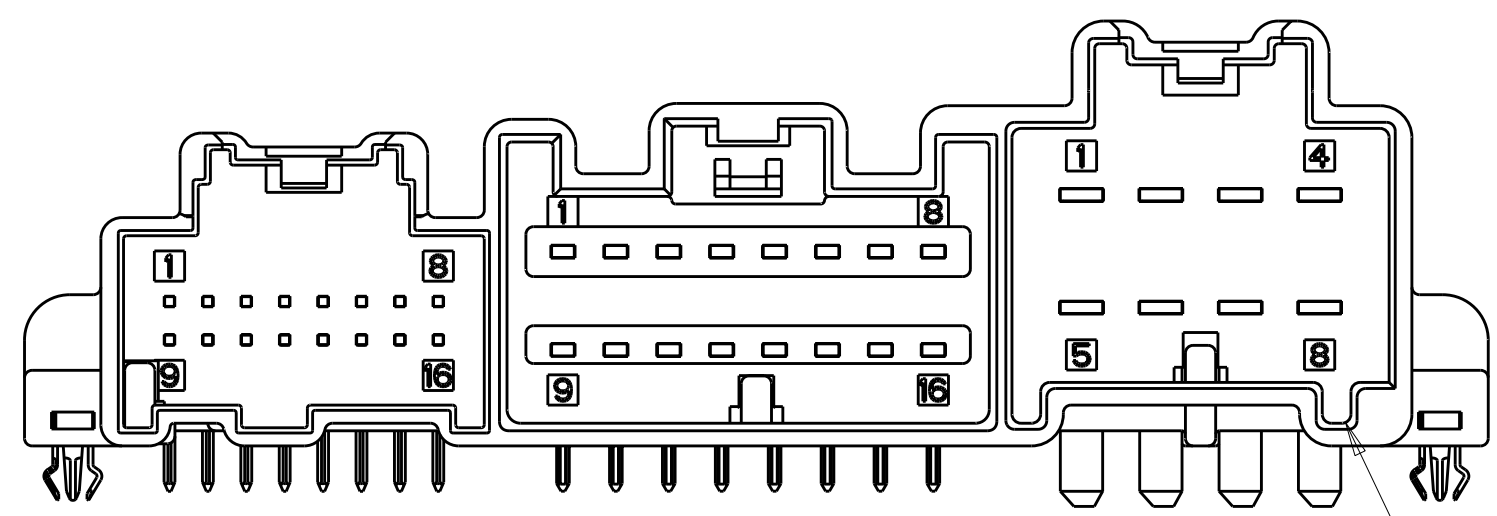
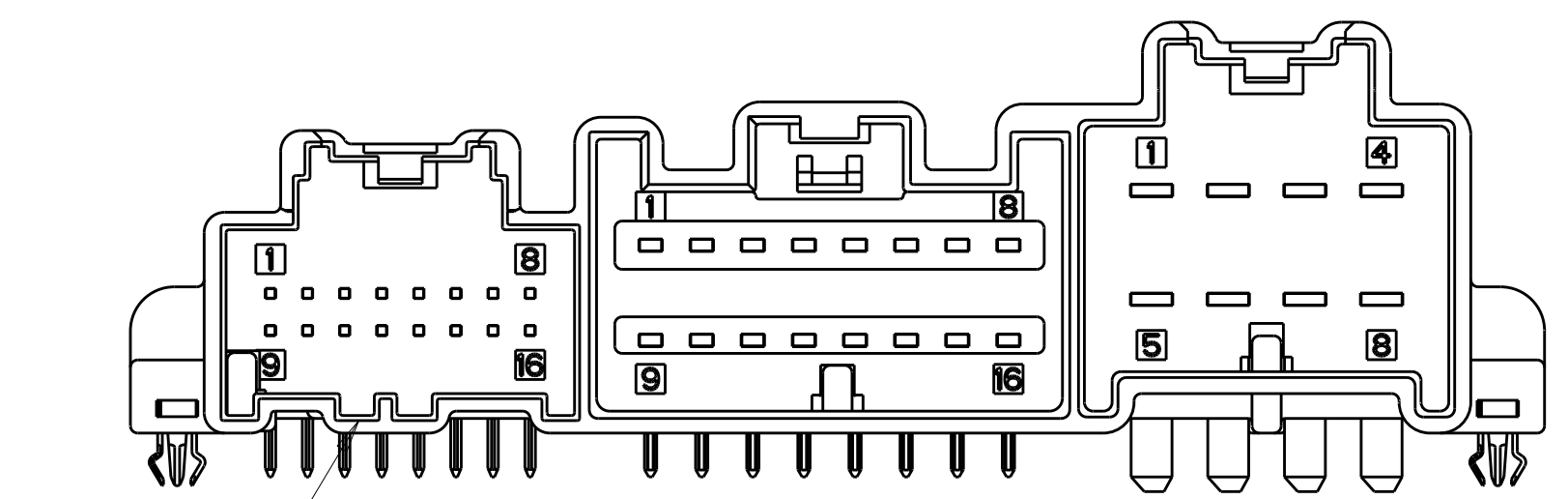


RECOMMENDED PCB LAYOUT
 SCALE: 2:1



CONNECTOR DESCRIPTION	SUPPLIER	SUPPLIER PART #	KEY
8-WAY CONNECTOR 2.8mm SERIES	SUMITOMO	6098-4713	A
16-WAY CONNECTOR 1.5mm SERIES	SUMITOMO	6098-4611	A
16-WAY CONNECTOR 0.64mm SERIES	YAZAKI	7283-9076-30	A
		7283-9078-80	C
TERMINAL DESCRIPTION	WIRE GAGE	SUPPLIER	SUPPLIER PART #
0.64mm	20-22	YAZAKI	7116-4618-02
			8240-0128
1.5mm	20-22	SUMITOMO	8240-0127
			8100-4445
2.8mm	16-18	SUMITOMO	8100-4444
			8100-4443

- △ REF. USCAR DRAWING 064-U-016-2-Z02.
- △ REF. USCAR DRAWING 150-U-016-2-Z01.
- △ REF. USCAR DRAWING 280-U-008-2-Z01.
- 4. TERMINAL BLADE GEOMETRY DEFINED BY USCAR DRAWING EWCAP-001.
- 5. MATERIALS:
 HEADER HOUSING: ULTRAMID A3EG7
 PIN GUIDE: 30% GLASS FILLED PBT
 2.8mm TERMINAL: BRASS; 1.5mm AND 0.64mm TERMINALS: COPPER
- 6. KEYING OPTIONS SHOWN ARE ONLY KEYING OPTIONS AVAILABLE.
- 7. PLATING 0.0025-0.0040mm THICK MATTE TIN ON MATING END AND SOLDER TAIL AREA ALL OVER 0.00125-0.00225mm THICK NICKEL.



1456505-1 SHOWN															
BLACK	X	X				X			X		1456505-3				
BLACK	X		X			X			X		1456505-2				
BLACK	X	X				X			X		1456505-1				
COLOR	PIN GUIDE		0.64 POCKET KEYING OPTION				1.5 POCKET KEYING OPTION				2.8 POCKET KEYING OPTION				ASSEMBLY PART #

DIMENSIONS: mm		TOLERANCES UNLESS OTHERWISE SPECIFIED:		DWN R. VESTAL 16MAR2006		CHK D. REVAK 16MAR2006		APVD D. REVAK 16MAR2006		NAME		Tyco Electronics Harrisburg, PA 17105-3608	
9 PLC ±		0.3		PRODUCT SPEC		APPLICATION SPEC		SIZE		CAGE CODE		DRAWING NO	
1 PLC ±		0.10		WEIGHT		REVISIONS		A1		00779		C=1456505	
3 PLC ±		0.10		CUSTOMER DRAWING		SCALE		1:1		SHEET		1 OF 1	
5 PLC ±		0.10											
4 PLC ±		0.10											
ANGLES													
FINISH													
SEE NOTES													

X-ON Electronics

Largest Supplier of Electrical and Electronic Components

Click to view similar products for [Automotive Connectors](#) category:

Click to view products by [TE Connectivity](#) manufacturer:

Other Similar products are found below :

[003-018-000](#) [60403001](#) [60993906-B](#) [M902-2131](#) [M902-2161](#) [M902-2344](#) [72.330.1035.1](#) [73.353.4028.0](#) [F119300-B](#) [F166900](#) [F258300-B](#)
[F358300-B](#) [F407400](#) [F444110](#) [F487000](#) [F509500B-B](#) [827153-1](#) [8N1515-32-24P](#) [9-1326729-8](#) [925474-1](#) [928905-1](#) [964562-4](#) [968782-1](#)
[GT17SA-8DS-HU](#) [98891-1012](#) [98947-1016](#) [12004147](#) [12004475-L](#) [12010290](#) [12010309-B](#) [12015454](#) [12020219-B](#) [12041318-B](#) [12052225-](#)
[L](#) [12052466](#) [12064869](#) [12004327-B](#) [12015308](#) [12015384](#) [12015909](#) [1-21030-1](#) [12041254](#) [12041318](#) [12047946-B](#) [12047957](#) [12047957-L](#)
[12059473](#) [12066261](#) [12110546](#) [12110546-B](#)