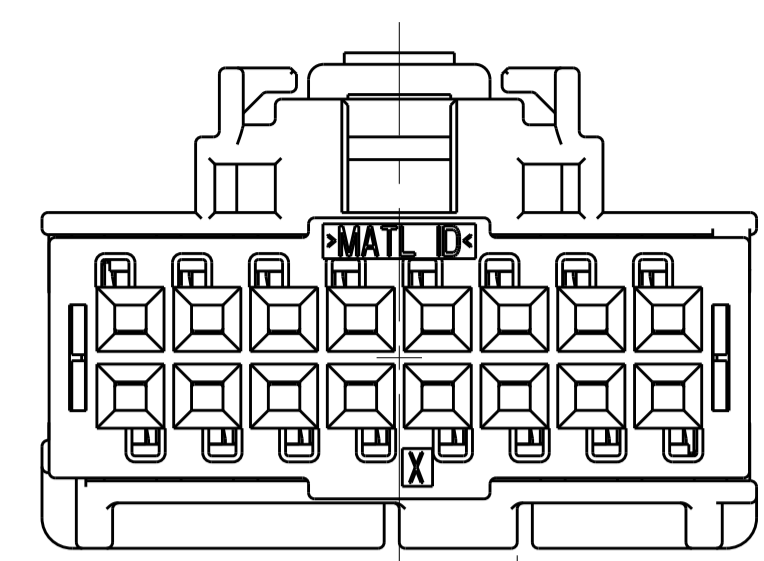
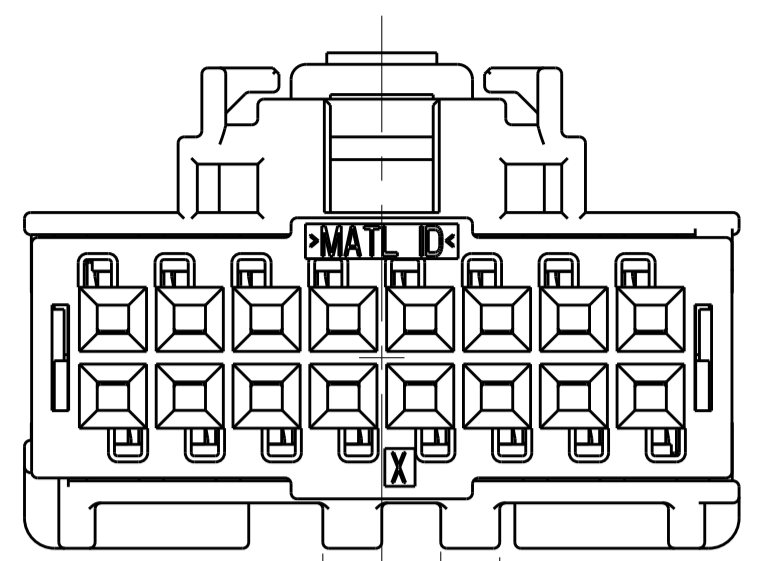


REVISIONS				
P.	LTN	DESCRIPTION	DATE	APVD
A		REVISED PER ECR-07-004005	20FEB2007	HM DF
A1		REVISED ECO 07-023917	19OCT2007	DLD DJZ
A2		REVISED PER ECO-19-016644	11NOV2019	JMS CM



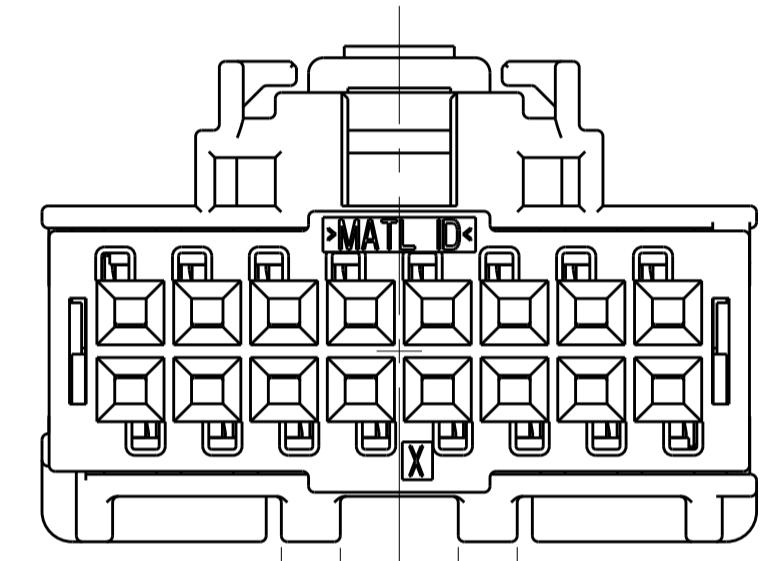
(3.90)

KEYING CODE "C"  
SCALE 4:1



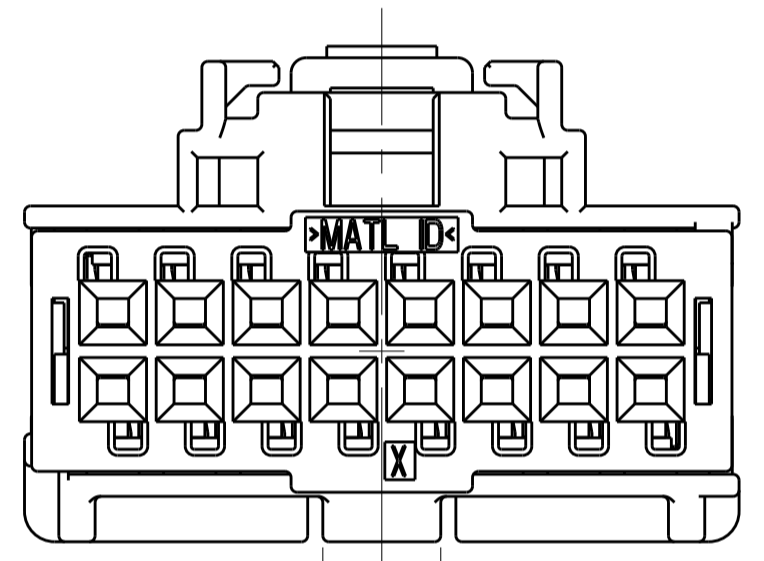
(1.95) (1.95) (3.90)

KEYING CODE "D"  
SCALE 4:1



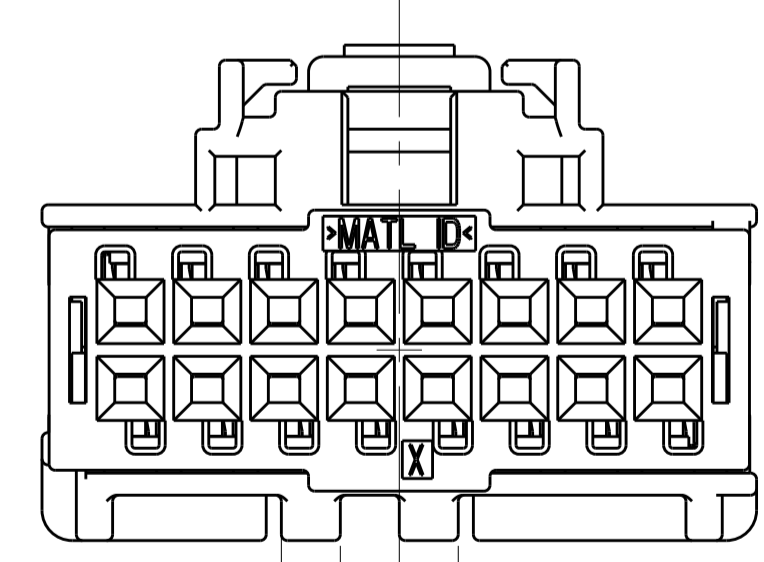
(1.95) (1.95) (3.90) (3.90)

KEYING CODE "E"  
SCALE 4:1



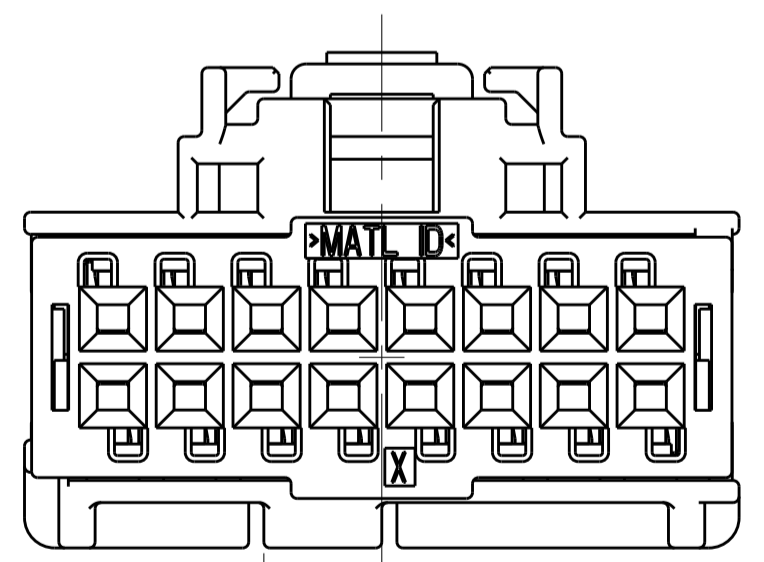
(1.95) (1.95)

KEYING CODE "F"  
SCALE 4:1



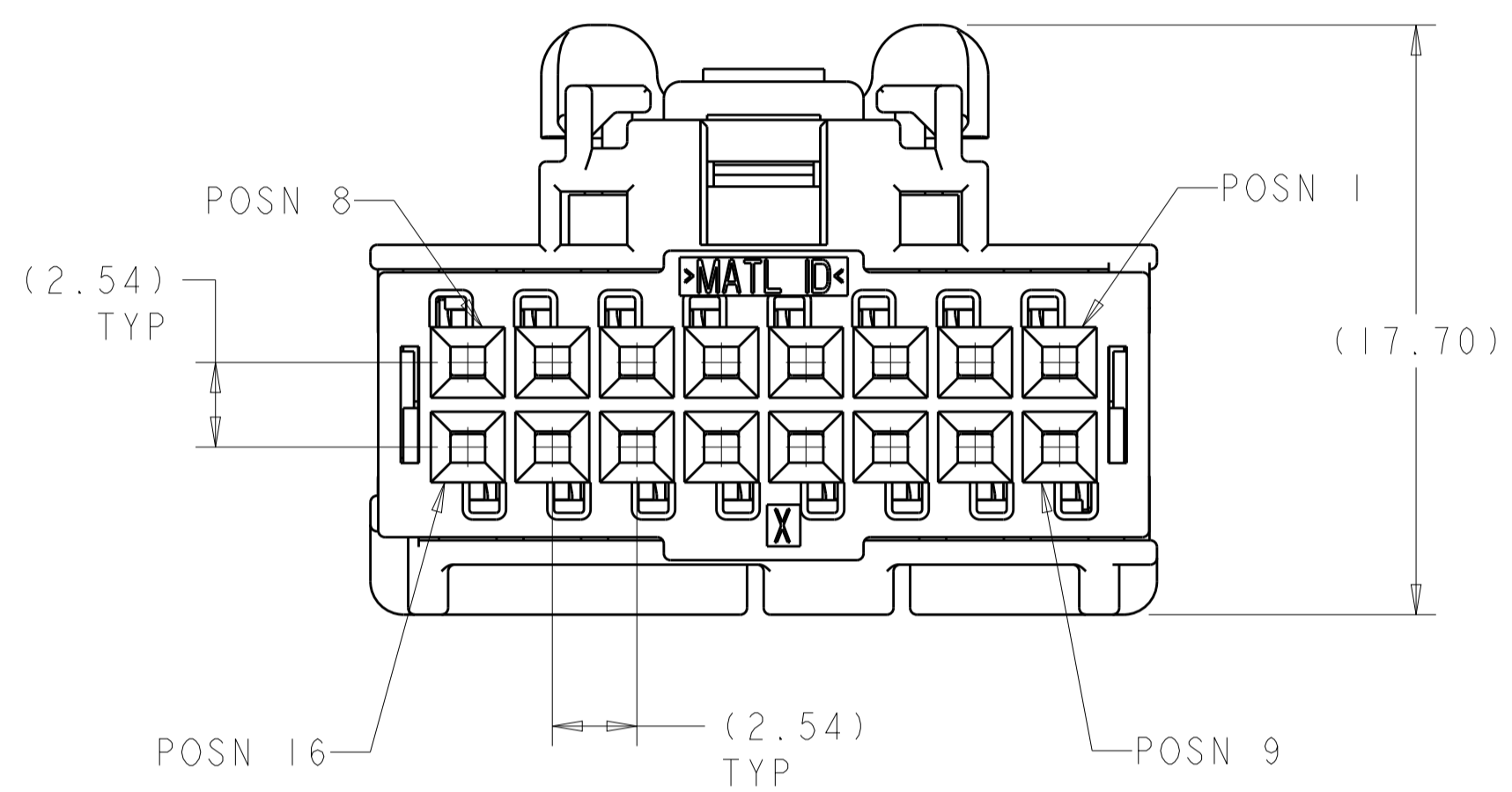
(1.95) (1.95) (3.90)

KEYING CODE "G"  
SCALE 4:1



(3.90)

KEYING CODE "H"  
SCALE 4:1

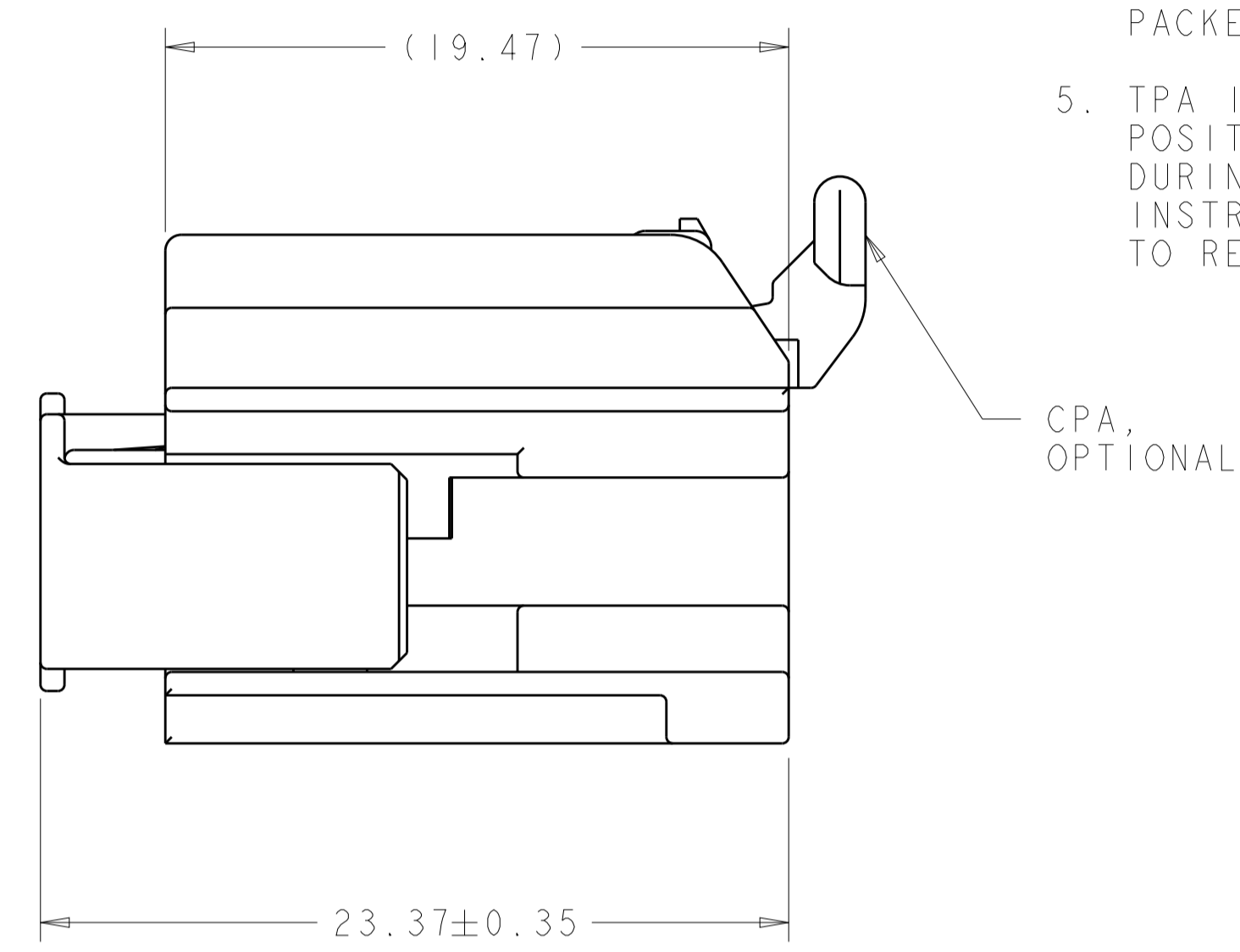


(17.70)

(2.54) TYP

(2.54) TYP

REF VIEW  
SCALE 4:1

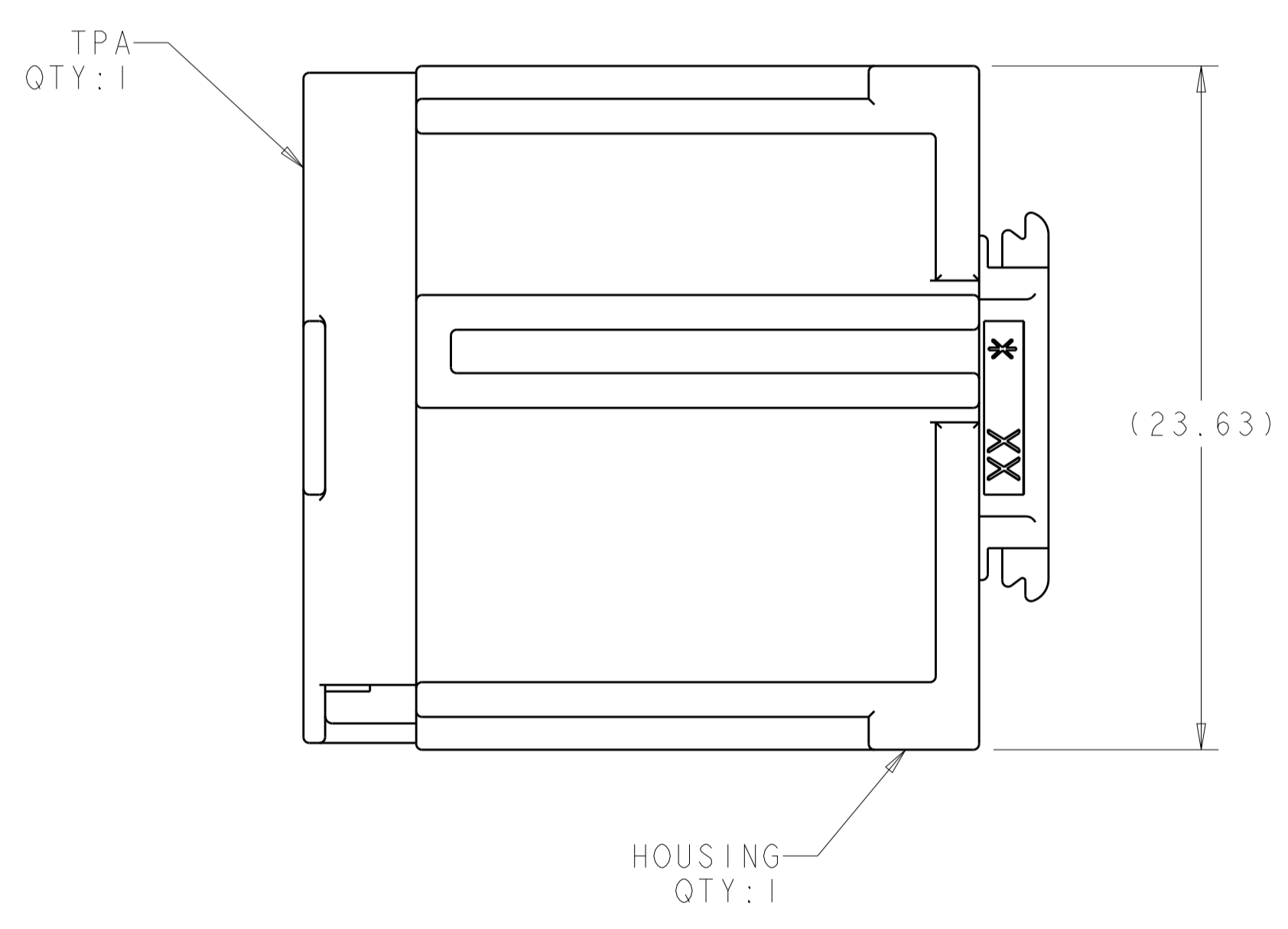


(19.47)

23.37±0.35

△ MATERIAL:  
PLUG HOUSING: NYLON, COLOR - BLACK  
TPA: NYLON, COLOR - NATURAL  
CPA: PBT, COLOR - RED

2. TERMINAL SOLD SEPERATELY
3. TPA SHOWN IN PRE-SEATED POSITION
4. CONNECTOR ASSEMBLIES ARE BULK PACKED IN CARDBOARD BOXES
5. TPA IS SHIPPED IN PRE-SEATED POSITION AND MAY BECOME SEATED DURING SHIPPING. REFER TO TE INSTRUCTION SHEET 408-10121 TO REPOSITION TPA



(23.63)

KEYING CODE	PART NUMBER
KEYING CODE "H"	1456867-8
KEYING CODE "G"	1456867-7
KEYING CODE "F"	1456867-6
KEYING CODE "E"	1456867-5
KEYING CODE "D"	1456867-4
KEYING CODE "C"	1456867-3

THIS DRAWING IS A CONTROLLED DOCUMENT.		OWN H. MOLL 13JUL2006	
DIMENSIONS: mm		CHK D. FRY 14JUL2006	
TOLERANCES UNLESS OTHERWISE SPECIFIED:		APVD D. FRY 14JUL2006	
0 PLC ± 1 PLC ± 2 PLC ± 3 PLC ± 4 PLC ± ANGLES ± FINISH ±		NAME PLUG ASSEMBLY, 2x8, UNSEALED, 0.64 GenY PRODUCT SPEC APPLICATION SPEC SIZE CAGE CODE DRAWING NO WEIGHT RESTRICTED TO	
MATERIAL SEE CALL OUT		CUSTOMER DRAWING	A   00779   C=1456867 SCALE 5:1 SHEET 1 OF 1 REV A2

## X-ON Electronics

Largest Supplier of Electrical and Electronic Components

*Click to view similar products for [Automotive Connectors](#) category:*

*Click to view products by [TE Connectivity](#) manufacturer:*

Other Similar products are found below :

[003-018-000](#) [60403001](#) [60993906-B](#) [M902-2131](#) [M902-2161](#) [72.330.1035.1](#) [73.353.4028.0](#) [F119300-B](#) [F166900](#) [F258300-B](#) [F358300-B](#)  
[F407400](#) [F444110](#) [F487000](#) [F509500B-B](#) [827153-1](#) [8N1515-32-24P](#) [9-1326729-8](#) [925474-1](#) [928905-1](#) [964562-4](#) [968782-1](#) [GT17SA-8DS-](#)  
[HU](#) [98891-1012](#) [98947-1016](#) [12004147](#) [12004475-L](#) [12010290](#) [12010309-B](#) [12015454](#) [12020219-B](#) [12020308](#) [12041318-B](#) [12052225-L](#)  
[12052466](#) [12059125](#) [12064869](#) [12004327-B](#) [12010503-B](#) [12015308](#) [12015384](#) [12015909](#) [1-21030-1](#) [12041254](#) [12041318](#) [12047946-B](#)  
[12047957](#) [12047957-L](#) [12059473](#) [12066261](#)