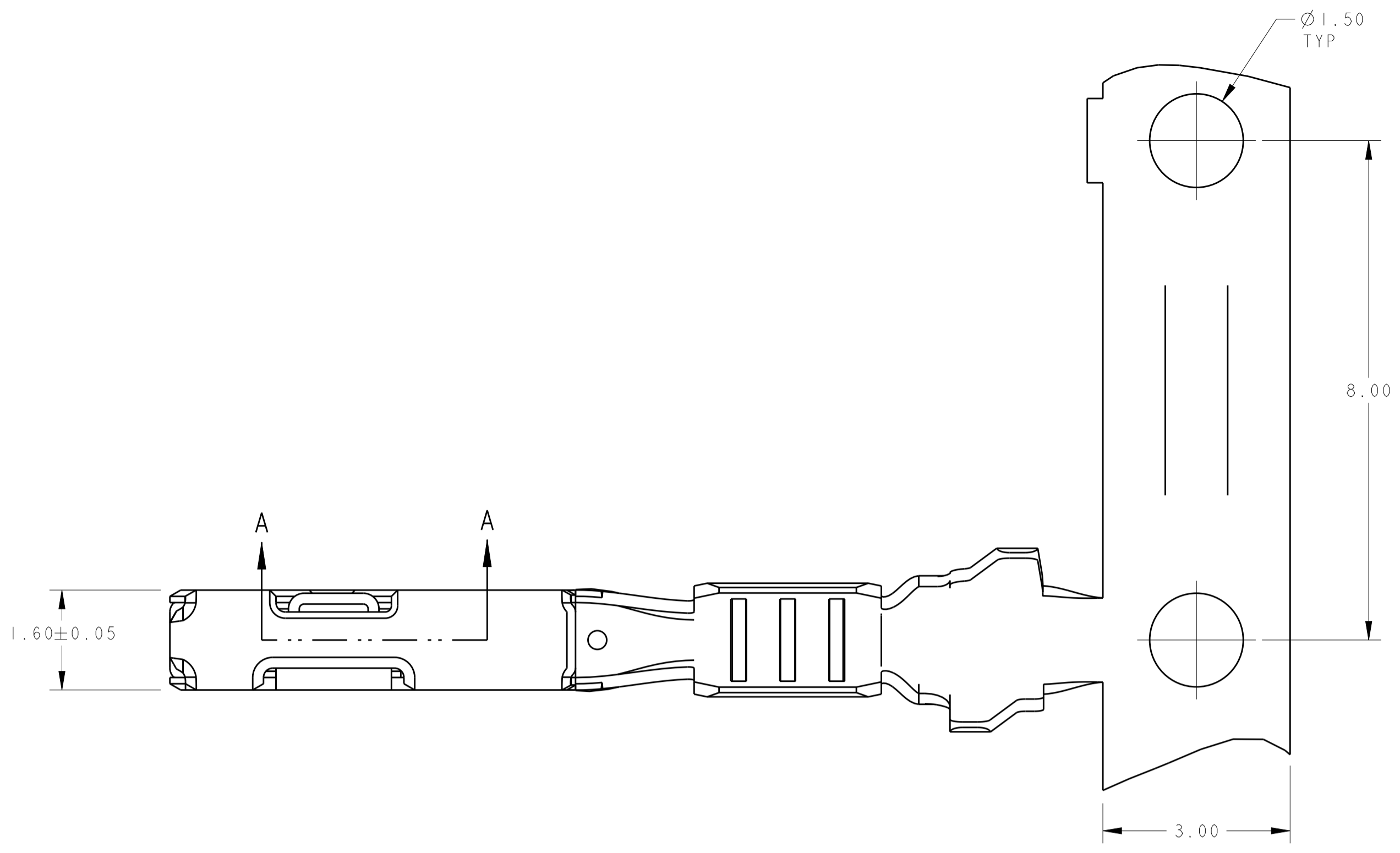
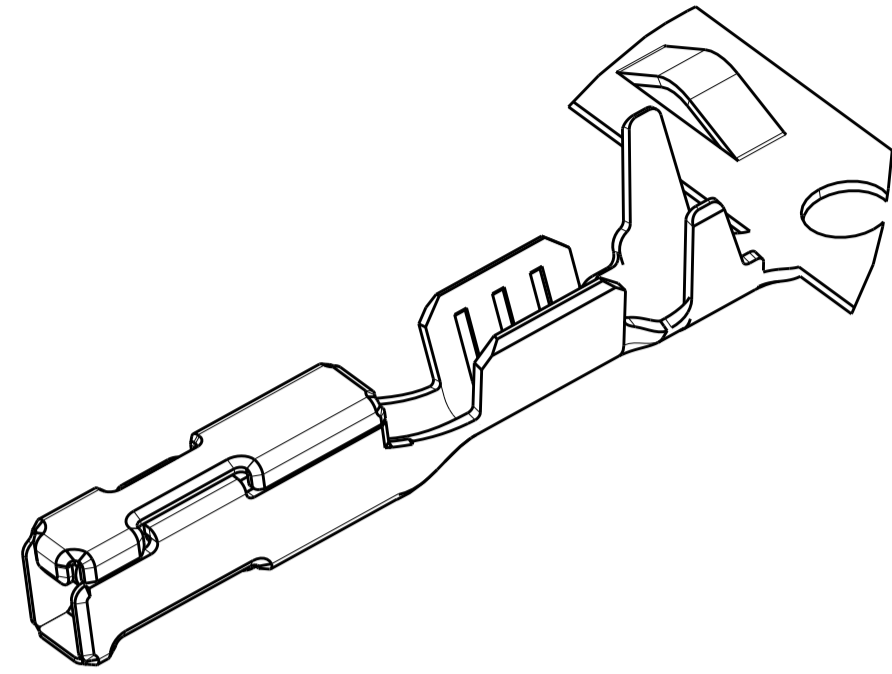
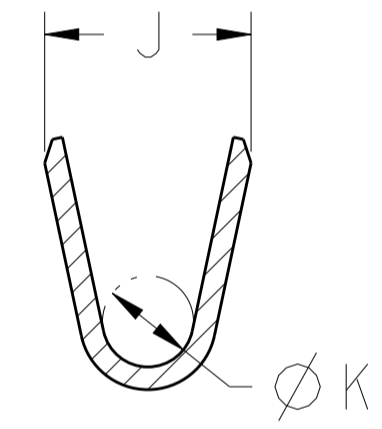
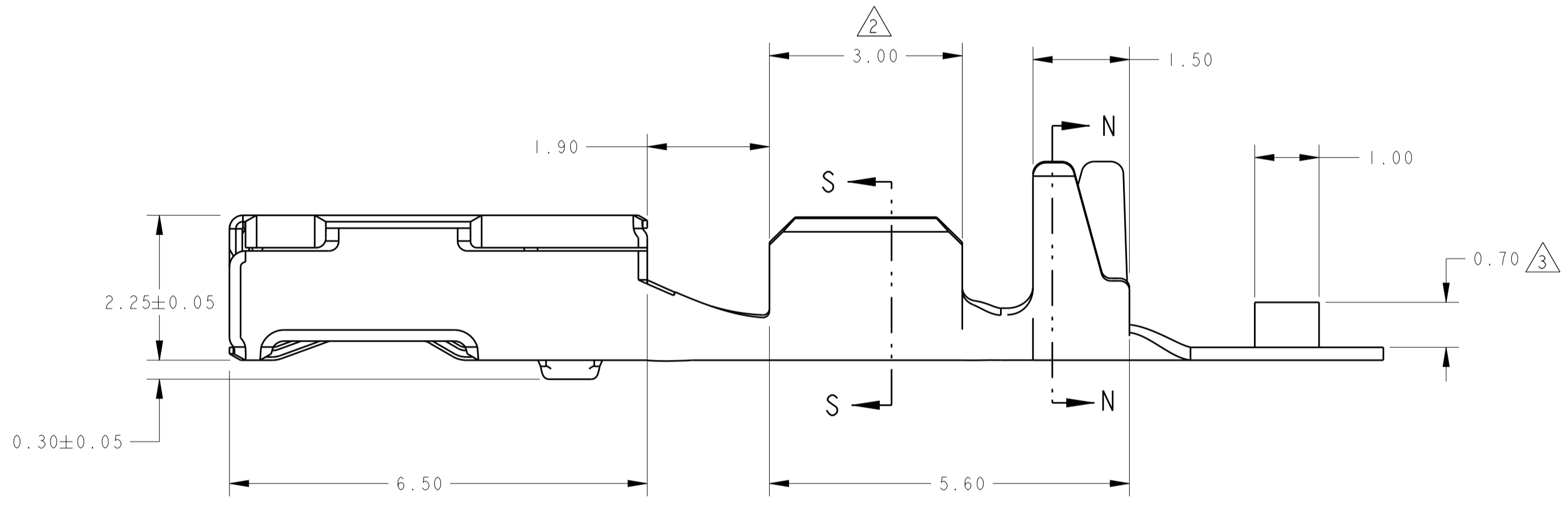
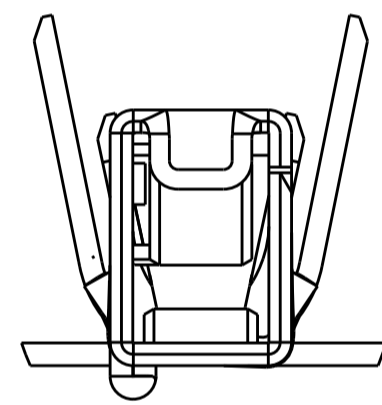


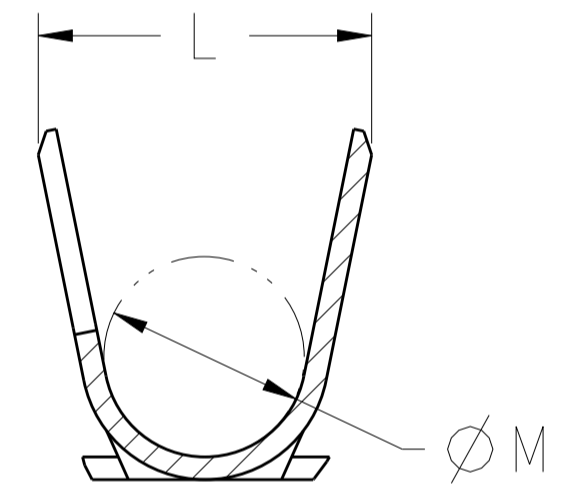
REVISIONS				
P.	LTN	DESCRIPTION	DATE	APVD
D		REVISED PER ECO-16-006930	17MAY2016	DLD CJS
E		REVISED PER ECO-16-016441	17NOV2016	DLD CJS
E1		REVISED PER ECO-17-000350	18JAN2017	DLD CJS
E2		REVISED PER ECO-19-013076	09SEP2019	JMS CS



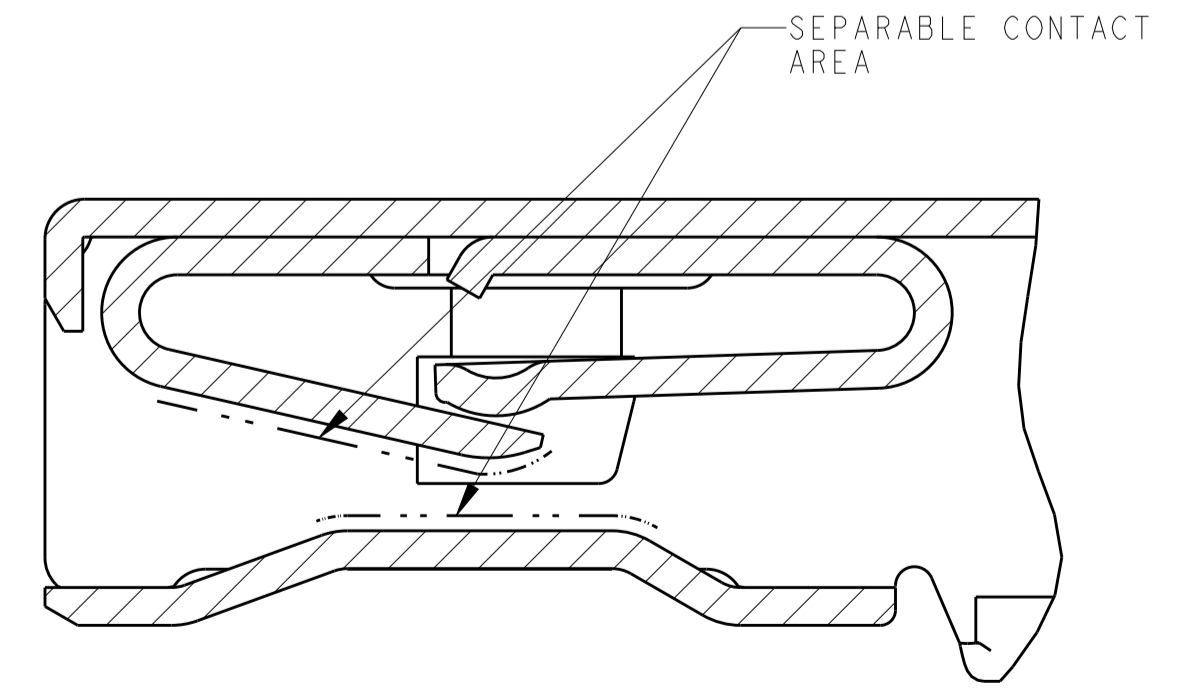
- △ MATERIAL: COPPER ALLOY
- △ FINISH: PRE-PLATED WITH SELECT SILVER AND TIN ALL OVER NICKEL. SEPARABLE CONTACT INTERFACE AREA: 1.00-3.00µm SILVER. CRIMP AREA: 1.00µm MIN TIN.
- △ MATERIAL ID FEATURE IN "UP" POSITION.
- 4. NORMAL FORCE 240 GRAMS REFERENCE.
- 5. AVERAGE ENGAGEMENT FORCE TARGET 3.0N REF.
- △ TERMINAL HAS NYE LUBRICANTS NYETACT 568J-50-UV PERFORMANCE LUBE/GREASE APPLIED. THIS IS A WHITISH COLORED LUBE. AMOUNT AND VISIBILITY MAY VARY.
- 7. FOR SILVER PLATING: ELECTRICAL PERFORMANCE IS NOT AFFECTED BY GRAY OR BLACK TARNISH ON THE SILVER PLATING SURFACE. ACCEPTABLE SILVER SURFACE CAN INCLUDE GRAY OR BLACK TARNISH.
- △ NOT INTENDED FOR SEALED APPLICATIONS.
- △ SEALING CAPABILITY MUST BE EVALUATED ON AN APPLICATION BASIS.



SECTION S-S

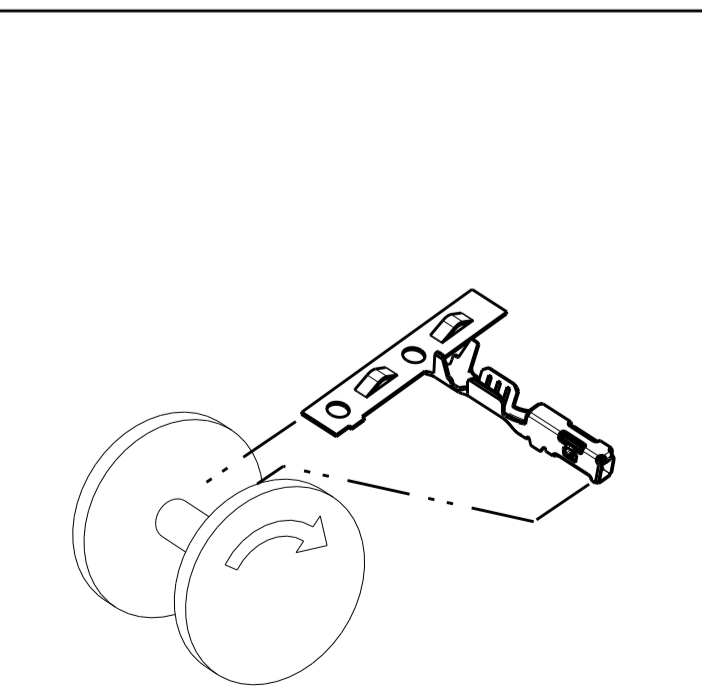


SECTION N-N

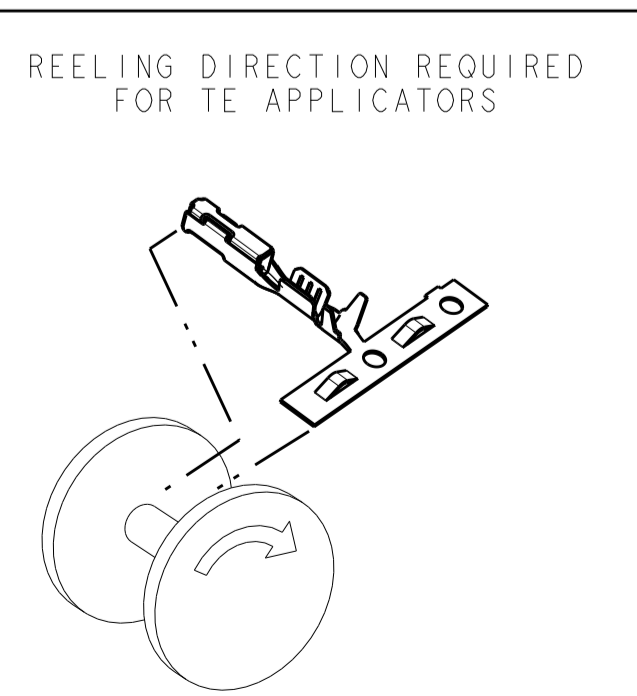


SECTION A-A
SCALE 25:1

△	△	DETAIL B	1.40	2.40	0.80	1.85	1.10-1.40	0.35	22	1456968-8	△
△	△	DETAIL B	0.85	1.82	0.65	1.50	0.85-1.05	0.13	26	1456968-7	△
△	△	DETAIL A	1.40	2.40	0.80	1.85	1.10-1.40	0.35	22	1456968-6	△
△	△	DETAIL A	0.85	1.82	0.65	1.50	0.85-1.05	0.13	26	1456968-5	△
△	△	DETAIL B	1.78	2.94	1.00	1.96	1.60-2.06	0.75	18	1456968-4	△
△	△	DETAIL B	1.78	2.94	0.80	1.82	1.50-1.85	0.35-0.50	20-22	1456968-3	△
△	△	DETAIL A	1.78	2.94	1.00	1.96	1.60-2.06	0.75	18	1456968-2	△
△	△	DETAIL A	1.78	2.94	0.80	1.82	1.50-1.85	0.35-0.50	20-22	1456968-1	△
FINISH	REELING		M	L	K	J	INSULATION DIA	mm ²	AWG	PART NUMBER	
								WIRE SIZE			



DETAIL A
SCALE 2:1



DETAIL B
SCALE 2:1

THIS DRAWING IS A CONTROLLED DOCUMENT.

DIMENSIONS:	TOLERANCES UNLESS OTHERWISE SPECIFIED:	DWN F. KINSEY 16APR2007	CHK C. SCHMID 16APR2007	APVD C. SCHMID 16APR2007	NAME
mm	0 PLC ± 1 PLC ±0.15 3 PLC ± 4 PLC ± ANGLES ±	PRODUCT SPEC	APPLICATION SPEC	SIZE	CAGE CODE
MATERIAL	FINISH	WEIGHT	0.23g	A100779	C=1456968
CUSTOMER DRAWING		SCALE	15:1	SHEET	1 OF 1

STE TE Connectivity
 CONTACT, FEMALE, 0.64, SILVER PLATE GENERATION Y

RESTRICTED TO REV E2

X-ON Electronics

Largest Supplier of Electrical and Electronic Components

Click to view similar products for [Headers & Wire Housings](#) category:

Click to view products by [TE Connectivity](#) manufacturer:

Other Similar products are found below :

[892-18-020-10-001101](#) [58102-G61-06LF](#) [582553-1](#) [0009485154](#) [009176003701906](#) [0050291907](#) [LY20-4P-DT1-P1E-BR](#) [02.125.8002.8](#)
[609-3404](#) [61062-3](#) [61082-181009](#) [622-3653LF](#) [63453-116](#) [636-1030](#) [636-1427](#) [636-3427](#) [636-4007](#) [641938-9](#) [641991-4](#) [644827-2](#) [65817-](#)
[010LF](#) [65817-015LF](#) [65863-015LF](#) [66207-023LF](#) [67095-007LF](#) [67601157](#) [68645-018](#) [68648-049](#) [70.362.1628.0](#) [70-4210](#) [70-4226B](#) [70-](#)
[4853B](#) [707-5020](#) [707-5028](#) [71.350.2428.0](#) [71918-208LF](#) [71961-016LF](#) [733-134](#) [733-162](#) [754199-000](#) [760-3052](#) [787-8014-00](#) [79531-3000](#)
[FCN-360C032-B](#) [FCN-367T-T012/H](#) [FCN-723D010/2](#) [80.063.4001.1](#) [800-90-001-10-001000](#) [800-90-010-10-002000](#) [801-43-002-10-013000](#)