

REVISIONS				
REV	DATE	DESCRIPTION	BY	APP'D
E1	15MAY2012	REVISED PER ECO-12-009124	DD	RL
E2	23OCT2014	REVISED PER ECO-14-016022	DD	RL

KEYING OPTIONS (SHOWN WITH CPA)

KEYING OPTION: A

SCALE 2:1

KEYING OPTION: B

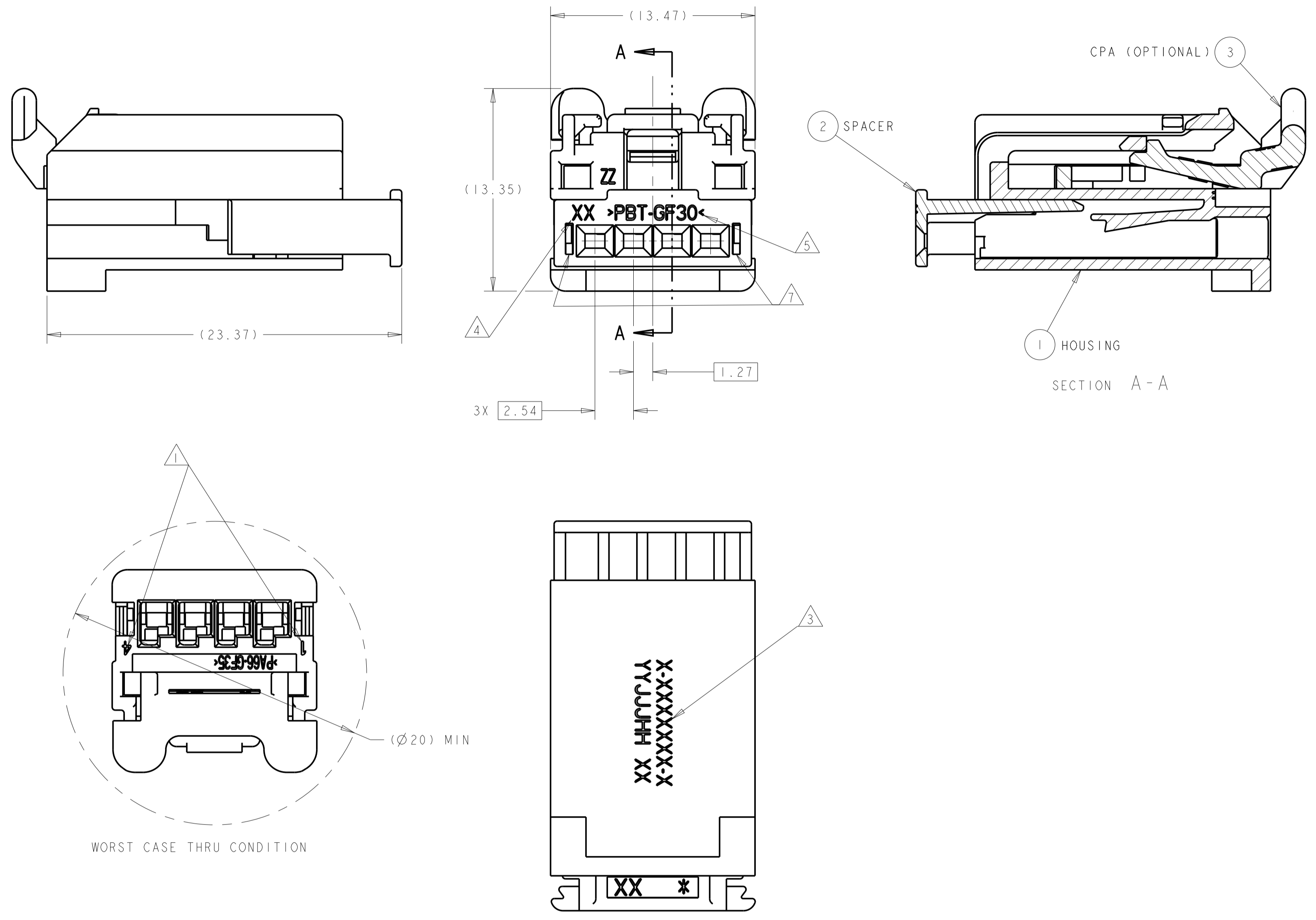
SCALE 2:1

KEYING OPTION: C

SCALE 2:1

KEYING OPTION: D

SCALE 2:1



- 1. CIRCUIT IDENTIFICATION NUMBERS, LOCATED AS SHOWN.
- 2. SPACER AND CPA ARE SHIPPED IN PRE-ASSEMBLED POSITION.
- 3. PART NUMBER, DATE CODE AND WORK CENTER LOCATION.
- 4. CAVITY ID.
- 5. MATERIAL IDENTIFICATION.
- 6. PACKING: CONNECTOR ASSEMBLIES BULK PACKAGED IN CARDBOARD BOX.
- 7. OPTIONAL SLOTS FOR MOLD CONSTRUCTION.
- 8. 45° LEAD IN ANGLE OPTIONAL TYPICAL FOR ALL KEYS.
- 9. SPACER IS SHIPPED IN PRE-LOADED POSITION. SOME SPACERS MAY BECOME FULLY SEATED DURING SHIPPING. USE TE INSTRUCTION SHEET 408-10104 TO REPOSITION SPACER BACK TO IT'S PRE-LOADED POSITION.
- 10. REFER TO TE INSTRUCTION SHEET 408-8599 FOR PROPER CONTACT ASSEMBLY/DISASSEMBLY AND CONNECTOR MATING/UN-MATING PROCEDURE.

QTY REQ'D PER ASSY	DESCRIPTION	MATERIAL	COLOR	ITEM NO
1	CPA	>PBT-GF20<	RED	3
1	SPACER	>PBT-GF30<	RED	2
1	HOUSING; KEY D	>PA66-GF35<	BLACK	1
1	HOUSING; KEY C	>PA66-GF35<	BLACK	
1	HOUSING; KEY B	>PA66-GF35<	BLACK	
1	HOUSING; KEY A	>PA66-GF35<	BLACK	

PARTS LIST

THIS DRAWING IS A CONTROLLED DOCUMENT. OWN: R. VESTAL 13DEC2006. CHK: D. STRAUSSER 13DEC2006. APVD: D. STRAUSSER 13DEC2006.

TE TE Connectivity

NAME: 1X4 POSITION, GET FEMALE CONNECTOR, UNSEALED ASSEMBLY

SIZE: A100779 CAGE CODE: 1456983

SCALE: 5:1 SHEET: 1 OF 1 REV: E2

X-ON Electronics

Largest Supplier of Electrical and Electronic Components

Click to view similar products for [Automotive Connectors](#) category:

Click to view products by [TE Connectivity](#) manufacturer:

Other Similar products are found below :

[003-018-000](#) [60403001](#) [60993906-B](#) [M902-2131](#) [M902-2161](#) [M902-2344](#) [72.330.1035.1](#) [73.353.4028.0](#) [F119300-B](#) [F166900](#) [F258300-B](#)
[F358300-B](#) [F407400](#) [F444110](#) [F487000](#) [F509500B-B](#) [827153-1](#) [8N1515-32-24P](#) [9-1326729-8](#) [925474-1](#) [928905-1](#) [964562-4](#) [968782-1](#)
[GT17SA-8DS-HU](#) [98891-1012](#) [98947-1016](#) [12004147](#) [12004475-L](#) [12010290](#) [12010309-B](#) [12015454](#) [12020219-B](#) [12041318-B](#) [12052225-](#)
[L](#) [12052466](#) [12064869](#) [12004327-B](#) [12015308](#) [12015384](#) [12015909](#) [1-21030-1](#) [12041254](#) [12041318](#) [12047946-B](#) [12047957](#) [12047957-L](#)
[12059473](#) [12066261](#) [12110546](#) [12110546-B](#)