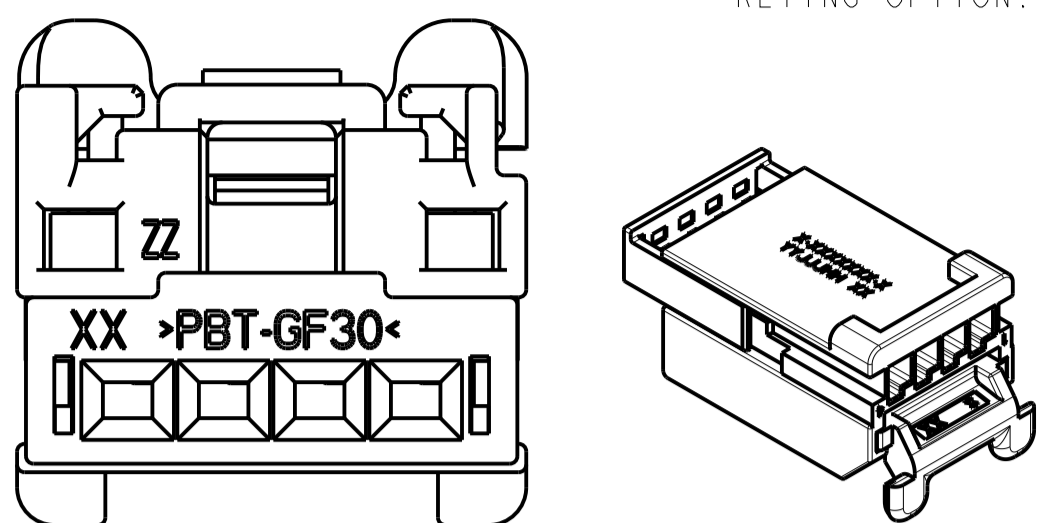


REVISIONS					
P.	LTN.	DESCRIPTION	DATE	DWN.	APVD.
E1		REVISED PER ECO-12-009124	15MAY2012	DD	RL
E2		REVISED PER ECO-14-016022	23OCT2014	DD	RL

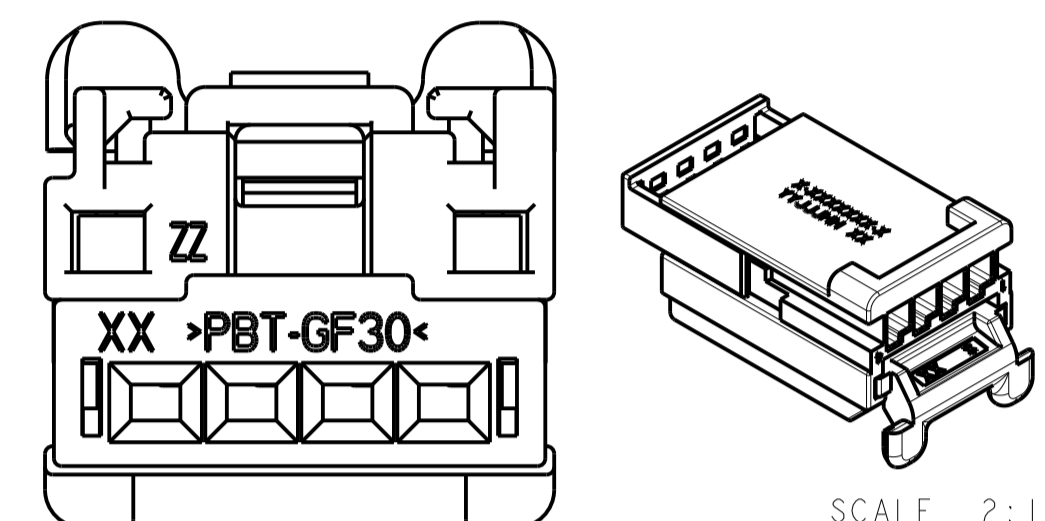
KEYING OPTIONS (SHOWN WITH CPA)

KEYING OPTION: A



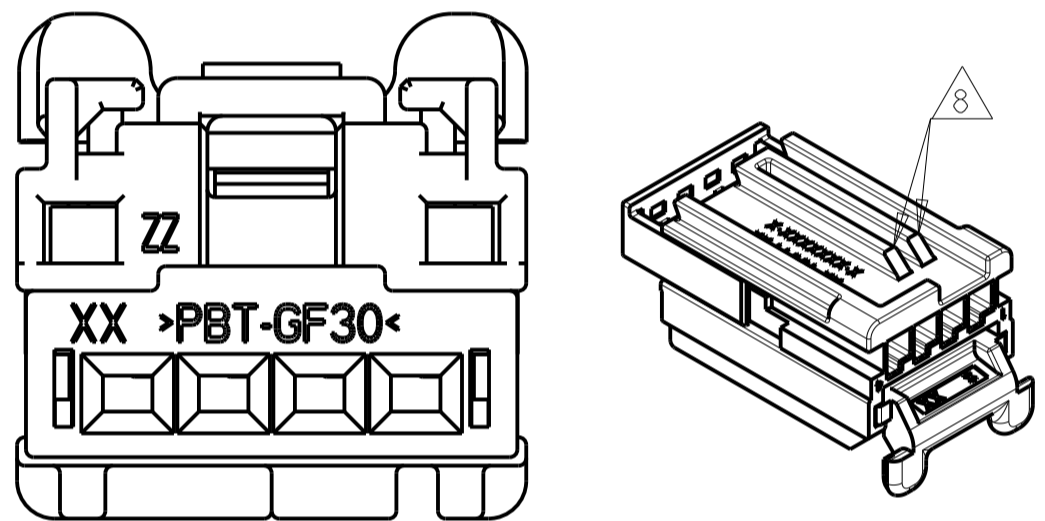
SCALE 2:1

KEYING OPTION: B



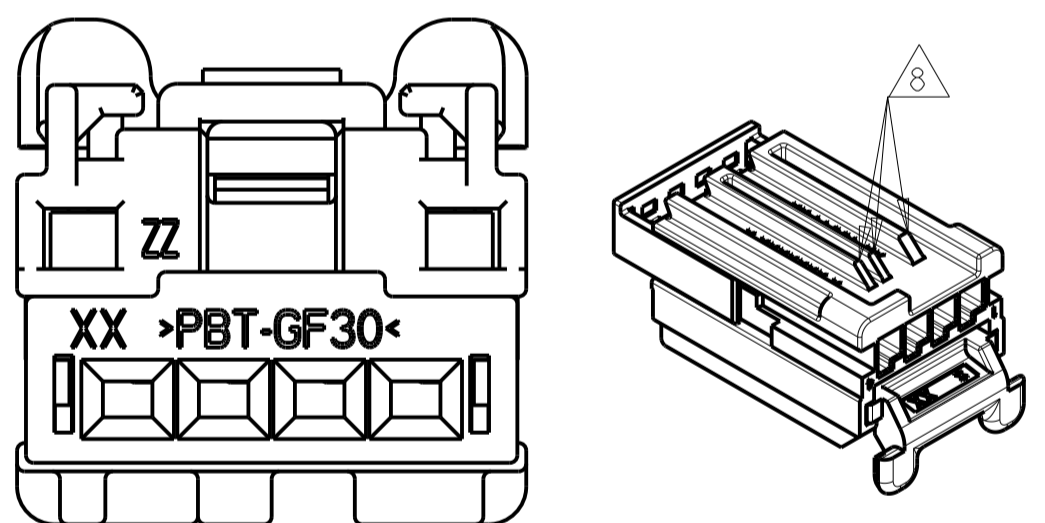
SCALE 2:1

KEYING OPTION: C

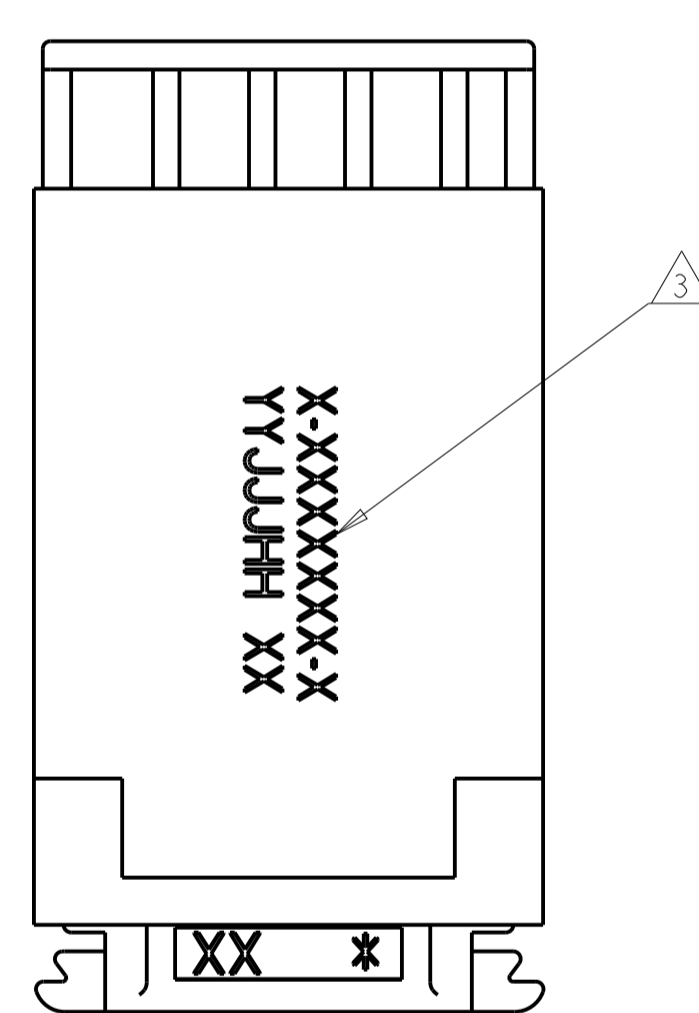
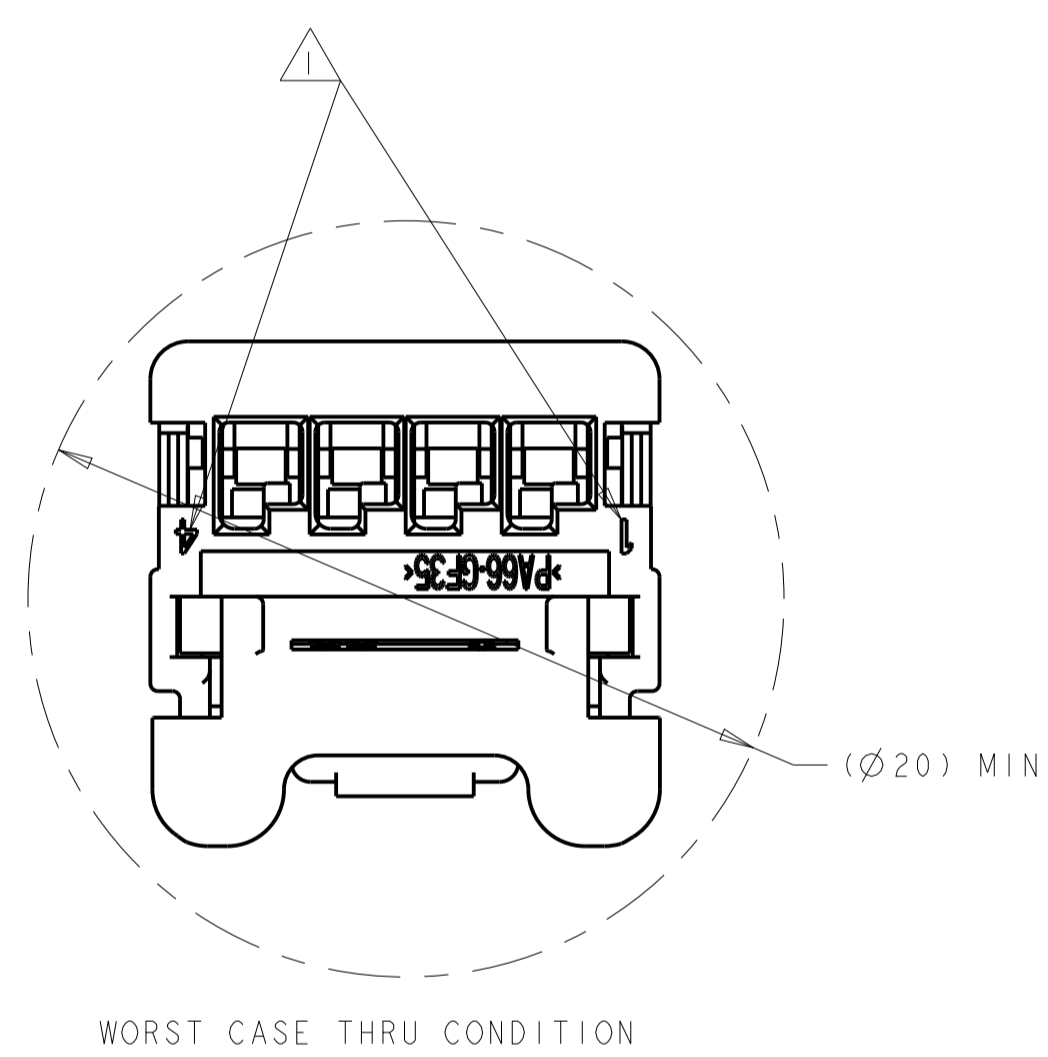
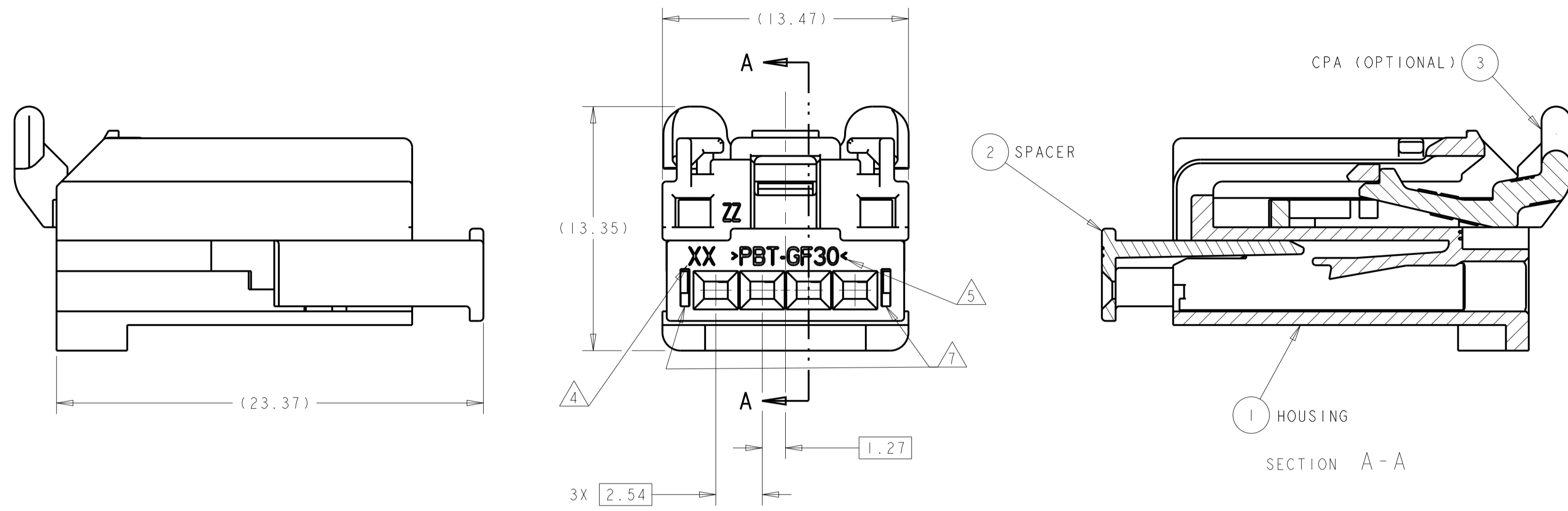


SCALE 2:1

KEYING OPTION: D



SCALE 2:1



- △ CIRCUIT IDENTIFICATION NUMBERS, LOCATED AS SHOWN.
- 2. SPACER AND CPA ARE SHIPPED IN PRE-ASSEMBLED POSITION.
- △ PART NUMBER, DATE CODE AND WORK CENTER LOCATION.
- △ CAVITY ID.
- △ MATERIAL IDENTIFICATION.
- 6. PACKING: CONNECTOR ASSEMBLIES BULK PACKAGED IN CARDBOARD BOX.
- △ OPTIONAL SLOTS FOR MOLD CONSTRUCTION.
- △ 45° LEAD IN ANGLE OPTIONAL TYPICAL FOR ALL KEYS.
- 9. SPACER IS SHIPPED IN PRE-LOADED POSITION. SOME SPACERS MAY BECOME FULLY SEATED DURING SHIPPING. USE TE INSTRUCTION SHEET 408-10104 TO REPOSITION SPACER BACK TO IT'S PRE-LOADED POSITION.
- 10. REFER TO TE INSTRUCTION SHEET 408-8599 FOR PROPER CONTACT ASSEMBLY/DISASSEMBLY AND CONNECTOR MATING/UN-MATING PROCEDURE.

QTY REQ'D PER ASSY	DESCRIPTION	MATERIAL	COLOR	ITEM NO
	<----- ASSEMBLY PN			
1	CPA >PBT-GF20<		RED	3
1	SPACER >PBT-GF30<		RED	2
1	HOUSING; KEY D >PA66-GF35<		BLACK	1
-	HOUSING; KEY C >PA66-GF35<		BLACK	
-	HOUSING; KEY B >PA66-GF35<		BLACK	
-	HOUSING; KEY A >PA66-GF35<		BLACK	

THIS DRAWING IS A CONTROLLED DOCUMENT.				DWN: R. VESTAL 13DEC2006 CHK: D. STRAUSSER 13DEC2006 APVD: D. STRAUSSER 13DEC2006		TE Connectivity NAME 1X4 POSITION, GET FEMALE CONNECTOR, UNSEALED ASSEMBLY	
DIMENSIONS: mm		TOLERANCES UNLESS OTHERWISE SPECIFIED:		PRODUCT SPEC APPLICATION SPEC			
MATERIAL: SEE TABLE		FINISH:		WEIGHT:		CUSTOMER DRAWING	

X-ON Electronics

Largest Supplier of Electrical and Electronic Components

Click to view similar products for [Automotive Connectors](#) category:

Click to view products by [TE Connectivity](#) manufacturer:

Other Similar products are found below :

[003-018-000](#) [60403001](#) [60993906-B](#) [M902-2131](#) [M902-2161](#) [72.330.1035.1](#) [73.353.4028.0](#) [F119300-B](#) [F166900](#) [F258300-B](#) [F358300-B](#)
[F407400](#) [F444110](#) [F487000](#) [F509500B-B](#) [827153-1](#) [8N1515-32-24P](#) [9-1326729-8](#) [925474-1](#) [928905-1](#) [964562-4](#) [968782-1](#) [GT17SA-8DS-](#)
[HU](#) [98891-1012](#) [98947-1016](#) [12004147](#) [12004475-L](#) [12010290](#) [12010309-B](#) [12015454](#) [12020219-B](#) [12020308](#) [12041318-B](#) [12052225-L](#)
[12052466](#) [12059125](#) [12064869](#) [12004327-B](#) [12010503-B](#) [12015308](#) [12015384](#) [12015909](#) [1-21030-1](#) [12041254](#) [12041318](#) [12047946-B](#)
[12047957](#) [12047957-L](#) [12059473](#) [12066261](#)