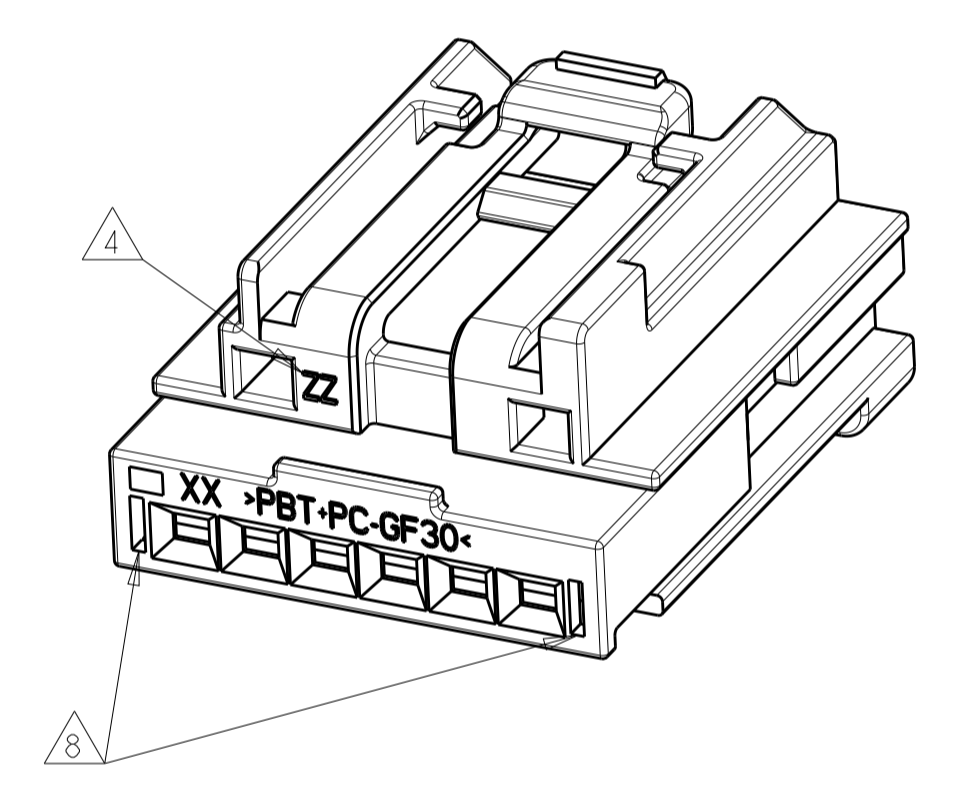


- △ 1 CIRCUIT IDENTIFICATION NUMBERS LOCATED AS SHOWN.
 △ 2 SPACER AND CPA (OPTIONAL) ARE SHIPPED IN PRE-ASSEMBLED POSITION.
 △ 3 PART NUMBER, DATE CODE AND WORK CENTER LOCATION .
 △ 4 CAVITY ID.
 △ 5 MATERIAL IDENTIFICATION.
 △ 6 KEYING OPTION B NOT PREFERRED FOR NEW APPLICATIONS.
 7. PACKAGING: CONNECTOR ASSEMBLIES BULK PACKED IN CARDBOARD BOXES.
 △ 8 OPTIONAL CORE SLOTS FOR MOLD CONSTRUCTION.
 9. SPACER IS SHIPPED IN PRE-LOADED POSITION. SOME SPACERS MAY BECOME FULLY SEATED DURING SHIPPING. USE TE INSTRUCTION SHEET 408-10104 TO REPOSITION SPACER BACK TO IT'S PRE-LOADED POSITION.
 10. REFER TO TE INSTRUCTION SHEET 408-8599 FOR PROPER CONTACT ASSEMBLY/DISASSEMBLY AND CONNECTOR MATING/ UN-MATING PROCEDURE.



										<----- ASSEMBLY PN					
1-1456985-2	1-1456985-1	1-1456985-0	1456985-9	1456985-8	1456985-7	1456985-6	1456985-5	1456985-4	1456985-3	1456985-2	1456985-1	DESCRIPTION	MATERIAL	COLOR	ITEM NO
	-		-		-		-		-		-	CPA	>PBT-GF20<	RED	3
												SPACER	>PBT-GF30<	RED	2
		-	-	-	-	-	-	-	-	-	-	HOUSING; KEY C	>PA66-GF35<	YELLOW	1
-	-			-	-	-	-	-	-	-	-	HOUSING; KEY F	>PA66-GF35<	BLACK	1
-	-	-	-			-	-	-	-	-	-	HOUSING; KEY E	>PA66-GF35<	BLACK	1
-	-	-	-	-	-			-	-	-	-	HOUSING; KEY D	>PA66-GF35<	BLACK	1
-	-	-	-	-	-	-	-			-	-	HOUSING; KEY C	>PA66-GF35<	BLACK	1
-	-	-	-	-	-	-	-	-	-			HOUSING; KEY B	>PA66-GF35<	BLACK	1
QTY REQ'D PER ASSY												REVISION OF EACH ASSY NO (WHEN BLANK, USE DWG REVISION)			
WEIGHT OF EACH ASSY NO (g)															

PARTS LIST

THIS DRAWING IS A CONTROLLED DOCUMENT. DWN: R. VESTAL 14DEC2006
 CHK: D. STRAUSSER 14DEC2006
 APVD: D. STRAUSSER 14DEC2006

DIMENSIONS: mm
 TOLERANCES UNLESS OTHERWISE SPECIFIED:
 0 PLC ±
 1 PLC ±
 2 PLC ±
 3 PLC ±
 4 PLC ±
 ANGLES ±
 FINISH

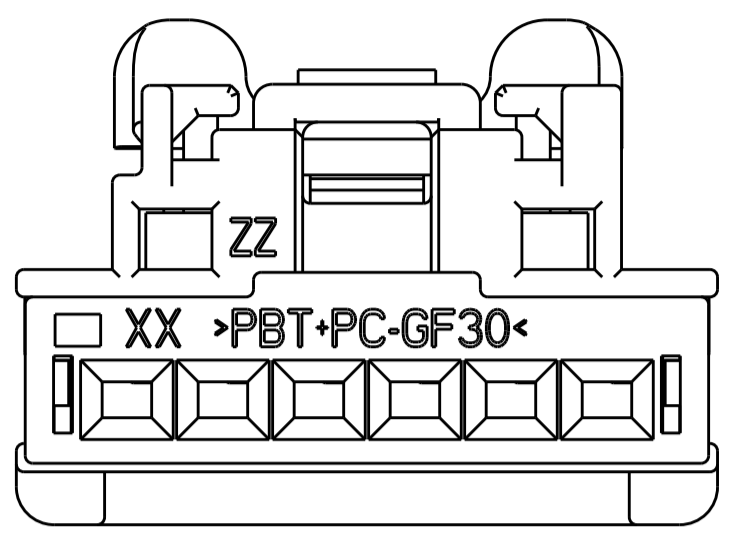
MATERIAL: SEE TABLE

NAME: ASSEMBLY, 1X6 POSITION, GET, FEMALE, UNSEALED
 SIZE: A100779
 CAGE CODE: 1456985
 DRAWING NO: 1456985-1
 RESTRICTED TO: D4

SCALE: 5:1 SHEET 1 OF 2 REV D4

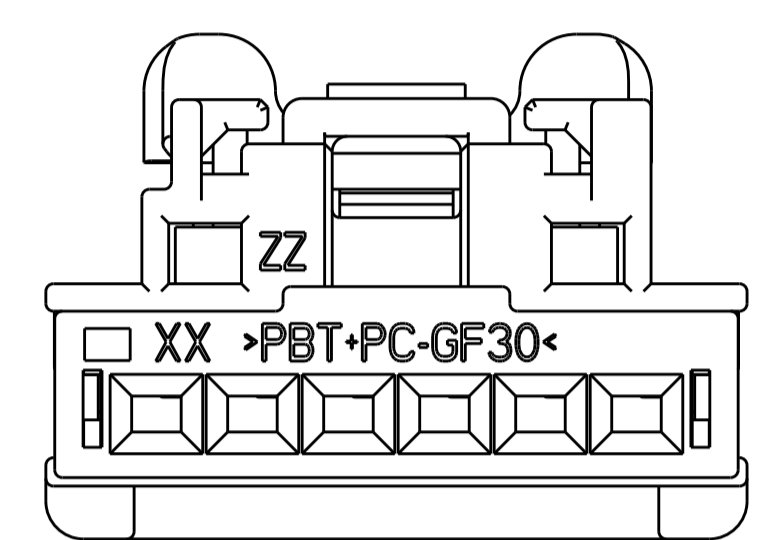
REVISIONS				
P.	LTN.	DESCRIPTION	DATE	APVD.
-	-	SEE SHEET 1	-	-

KEYING OPTION B



(SHOWN WITH CPA)

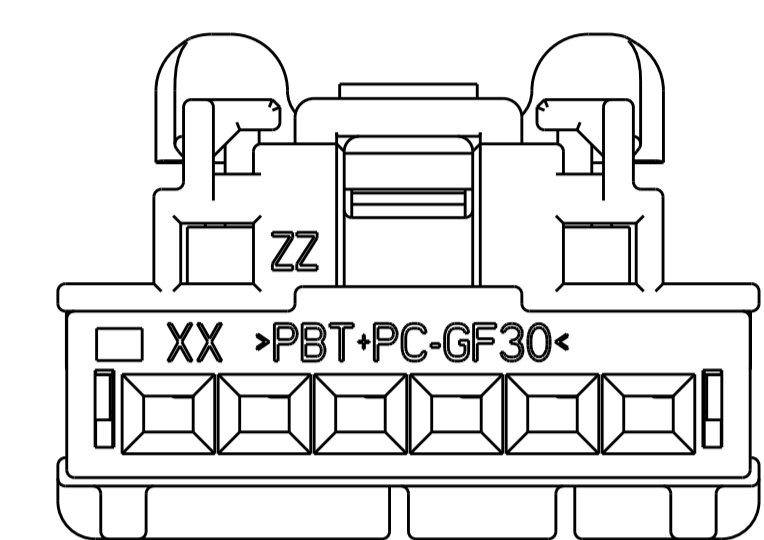
KEYING OPTION B



(SHOWN WITH CPA)

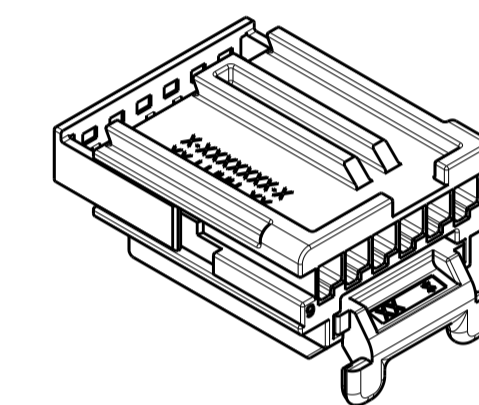
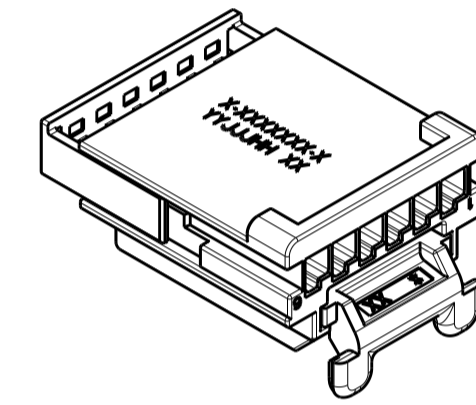
SCALE 2:1

KEYING OPTION C

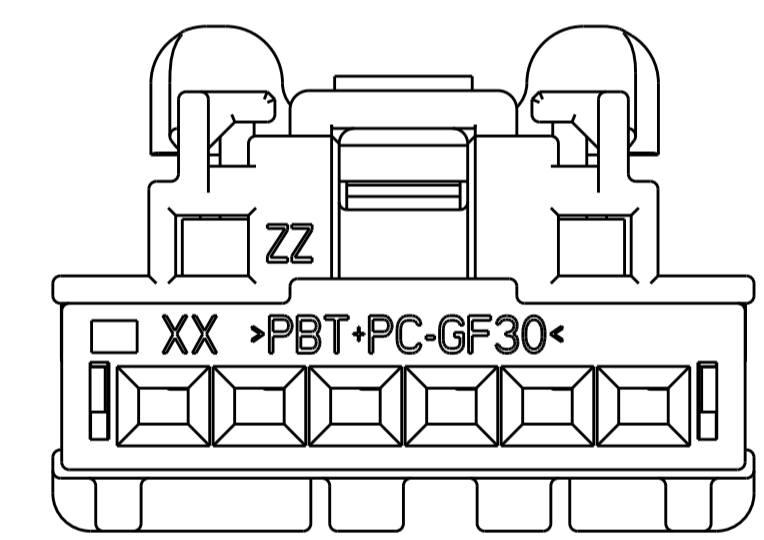


(SHOWN WITH CPA)

SCALE 2:1



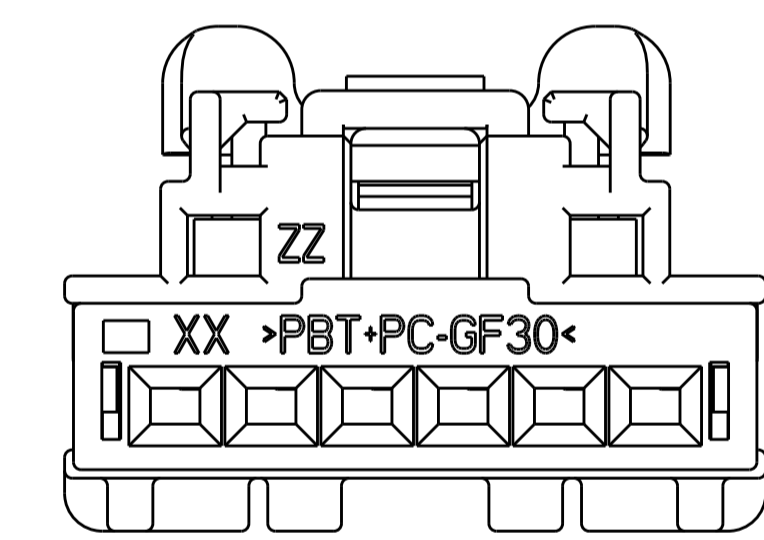
KEYING OPTION D



(SHOWN WITH CPA)

SCALE 2:1

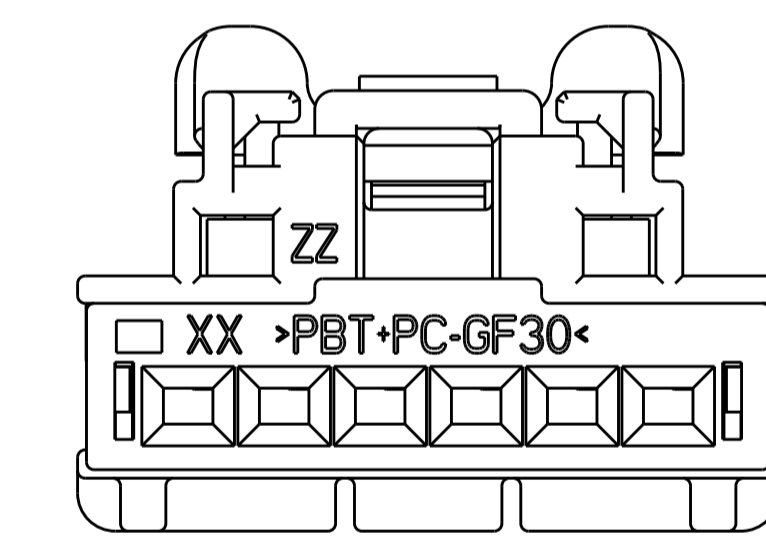
KEYING OPTION E



(SHOWN WITH CPA)

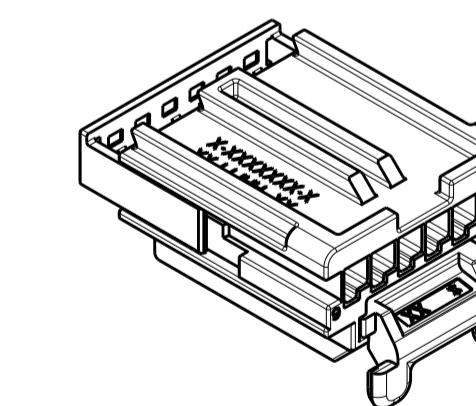
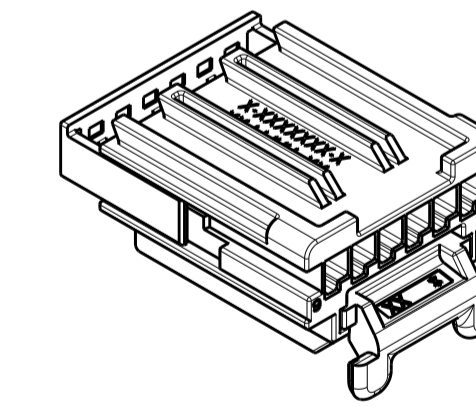
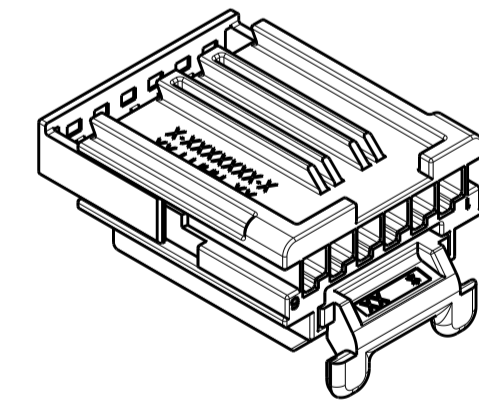
SCALE 2:1

KEYING OPTION F



(SHOWN WITH CPA)

SCALE 2:1



THIS DRAWING IS A CONTROLLED DOCUMENT.		DWN: R. VESTAL 14DEC2006 CHK: D. STRAUSSER 14DEC2006 APVD: D. STRAUSSER 14DEC2006	TE Connectivity
DIMENSIONS: mm	TOLERANCES UNLESS OTHERWISE SPECIFIED: 0 PLC ± 1 PLC ± 2 PLC ± 3 PLC ± 4 PLC ± ANGLES ±	NAME: ASSEMBLY, 1X6 POSITION, GET, FEMALE, UNSEALED PRODUCT SPEC: APPLICATION SPEC: WEIGHT: CUSTOMER DRAWING	
MATERIAL: SEE TABLE	FINISH: -	SIZE: A100779 CAGE CODE: C=1456985 SCALE: 5:1 SHEET: 2 OF 2 REV: D4	RESTRICTED TO:

X-ON Electronics

Largest Supplier of Electrical and Electronic Components

Click to view similar products for [Automotive Connectors](#) category:

Click to view products by [TE Connectivity](#) manufacturer:

Other Similar products are found below :

[003-018-000](#) [60993906-B](#) [72.330.1035.1](#) [776880-1](#) [827153-1](#) [9-1326729-8](#) [9-221607-5](#) [925474-1](#) [928905-1](#) [964562-4](#) [968782-1](#) [98891-1012](#) [12004468](#) [12004475-L](#) [12004483](#) [12052466](#) [12066163](#) [12015909](#) [12077753](#) [1-21030-1](#) [12047957](#) [12047958](#) [12084688](#) [12185550](#) [12336-12](#) [1-326211-1](#) [13681974](#) [13688972](#) [13755420](#) [13779834](#) [13783086](#) [13843152](#) [13522378](#) [13581967](#) [13669624](#) [13675513](#) [13753471](#) [13946876](#) [13953457](#) [13955963](#) [13964573](#) [13971791](#) [13790534-L](#) [13797473](#) [13805590](#) [13888202](#) [1428188-1](#) [1437287-3](#) [1428188-2](#) [DS07-19S-5020](#)