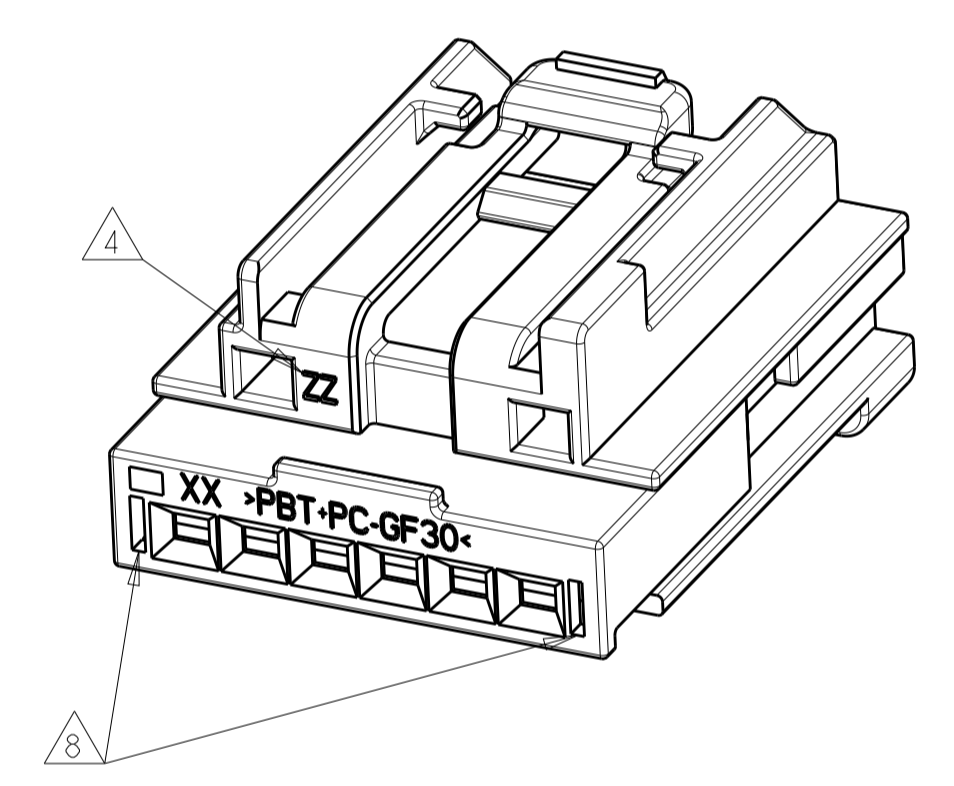
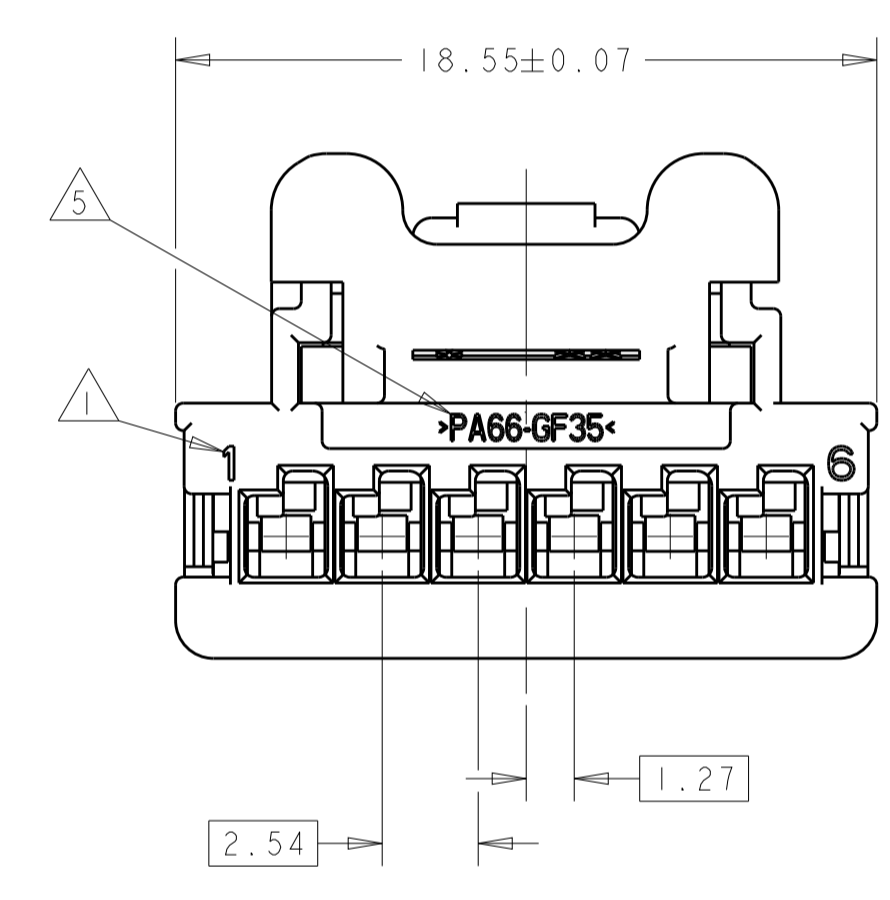
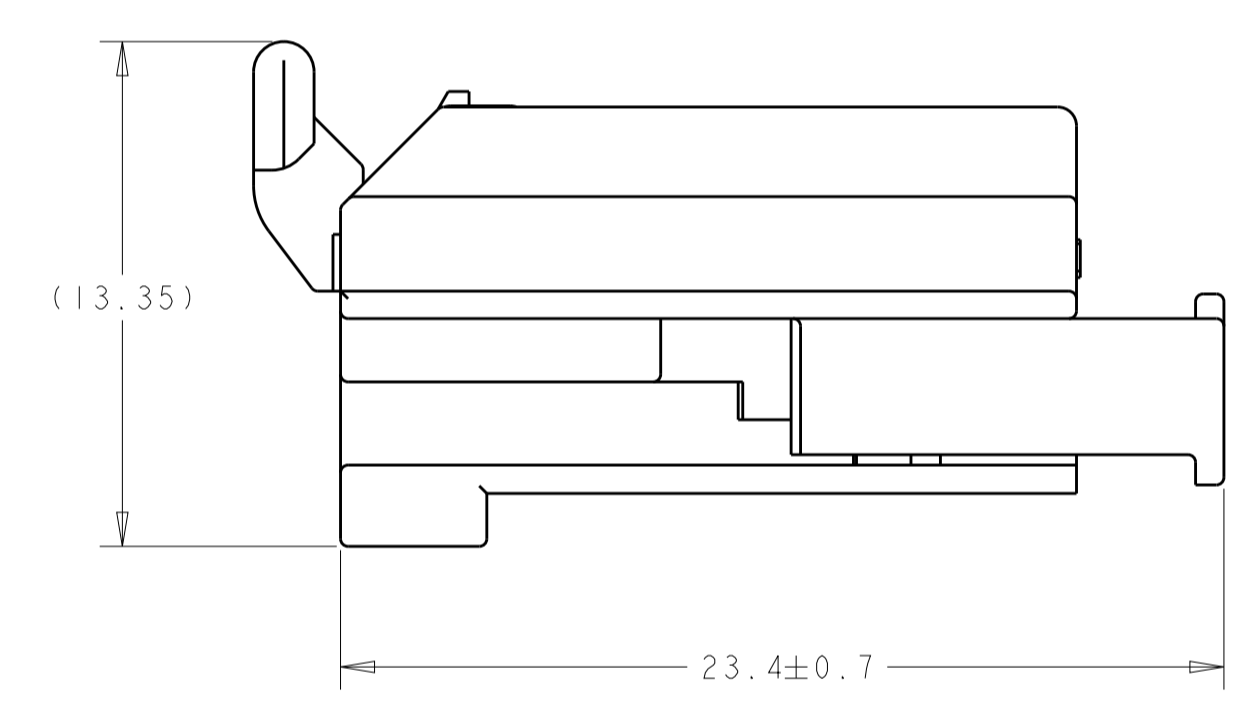


- 1. CIRCUIT IDENTIFICATION NUMBERS LOCATED AS SHOWN.
- 2. SPACER AND CPA (OPTIONAL) ARE SHIPPED IN PRE-ASSEMBLED POSITION.
- 3. PART NUMBER, DATE CODE AND WORK CENTER LOCATION .
- 4. CAVITY ID.
- 5. MATERIAL IDENTIFICATION.
- 6. KEYING OPTION B NOT PREFERRED FOR NEW APPLICATIONS.
- 7. PACKAGING: CONNECTOR ASSEMBLIES BULK PACKED IN CARDBOARD BOXES.
- 8. OPTIONAL CORE SLOTS FOR MOLD CONSTRUCTION.
- 9. SPACER IS SHIPPED IN PRE-LOADED POSITION. SOME SPACERS MAY BECOME FULLY SEATED DURING SHIPPING. USE TE INSTRUCTION SHEET 408-10104 TO REPOSITION SPACER BACK TO IT'S PRE-LOADED POSITION.
- 10. REFER TO TE INSTRUCTION SHEET 408-8599 FOR PROPER CONTACT ASSEMBLY/DISASSEMBLY AND CONNECTOR MATING/ UN-MATING PROCEDURE.

REVISIONS				
P.	LTM	DESCRIPTION	DATE	OWN APVD
D2		REVISED PER ECO-12-009124	15MAY2012	DD RL
D3		REVISED PER ECO-14-016022	23OCT2014	DD RL
D4		REVISED PER ECO-19-000623	28JAN2019	JMS CM



SCALE 4:1

										<----- ASSEMBLY PN					
1-1456985-2	1-1456985-1	1-1456985-0	1456985-9	1456985-8	1456985-7	1456985-6	1456985-5	1456985-4	1456985-3	1456985-2	1456985-1	DESCRIPTION	MATERIAL	COLOR	ITEM NO
	-		-		-		-		-		-	CPA	>PBT-GF20<	RED	3
												SPACER	>PBT-GF30<	RED	2
		-	-	-	-	-	-	-	-	-	-	HOUSING; KEY C	>PA66-GF35<	YELLOW	1
-	-			-	-	-	-	-	-	-	-	HOUSING; KEY F	>PA66-GF35<	BLACK	1
-	-	-	-			-	-	-	-	-	-	HOUSING; KEY E	>PA66-GF35<	BLACK	1
-	-	-	-	-	-			-	-	-	-	HOUSING; KEY D	>PA66-GF35<	BLACK	1
-	-	-	-	-	-	-	-			-	-	HOUSING; KEY C	>PA66-GF35<	BLACK	1
-	-	-	-	-	-	-	-	-	-			HOUSING; KEY B	>PA66-GF35<	BLACK	1
QTY REQ'D PER ASSY												REVISION OF EACH ASSY NO (WHEN BLANK, USE DWG REVISION)			
WEIGHT OF EACH ASSY NO (g)															

PARTS LIST

THIS DRAWING IS A CONTROLLED DOCUMENT. DWN: R. VESTAL 14DEC2006
CHK: D. STRAUSSER 14DEC2006
APVD: D. STRAUSSER 14DEC2006

DIMENSIONS: mm
TOLERANCES UNLESS OTHERWISE SPECIFIED:
0 PLC ±
1 PLC ±
2 PLC ±
3 PLC ±
4 PLC ±
ANGLES ±
FINISH

MATERIAL: SEE TABLE

THIS DRAWING IS A CONTROLLED DOCUMENT. DWN: R. VESTAL 14DEC2006
CHK: D. STRAUSSER 14DEC2006
APVD: D. STRAUSSER 14DEC2006

PRODUCT SPEC
APPLICATION SPEC

NAME: ASSEMBLY, 1X6 POSITION, GET, FEMALE, UNSEALED

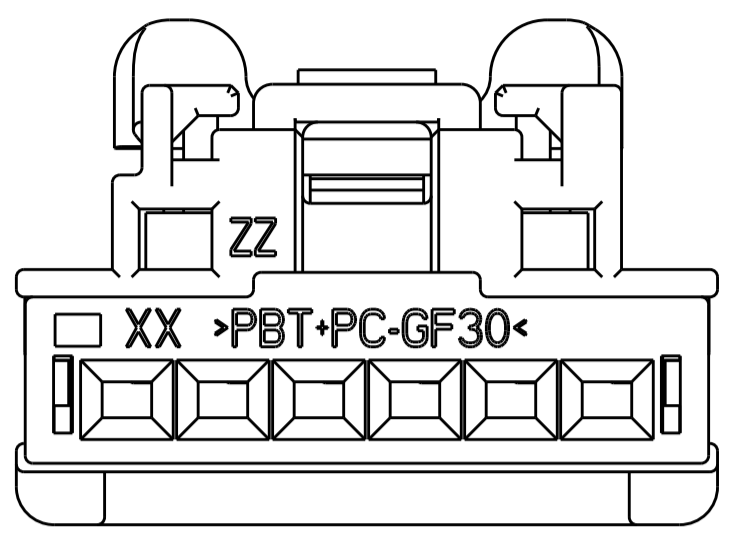
SIZE: A100779
CAGE CODE: 1456985
DRAWING NO: 1456985

RESTRICTED TO: REV D4

CUSTOMER DRAWING SCALE: 5:1 SHEET 1 OF 2

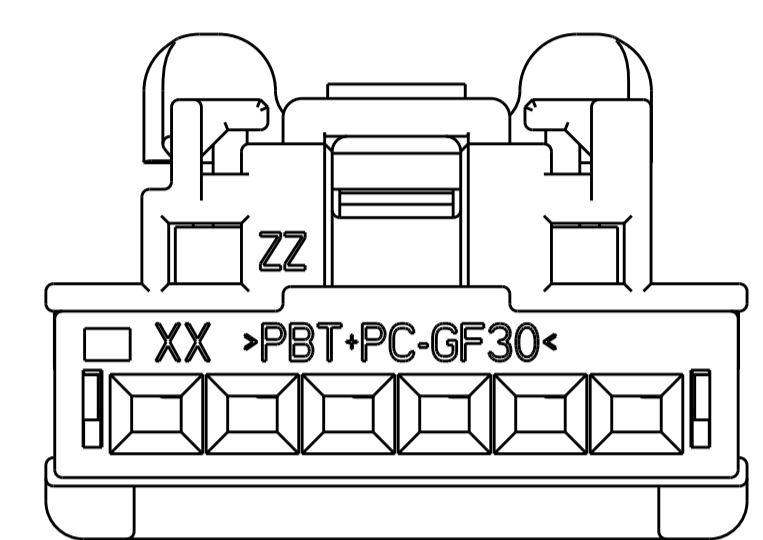
REVISIONS				
P.	LTH	DESCRIPTION	DATE	APVD
-	-	SEE SHEET 1	-	-

KEYING OPTION B



(SHOWN WITH CPA)

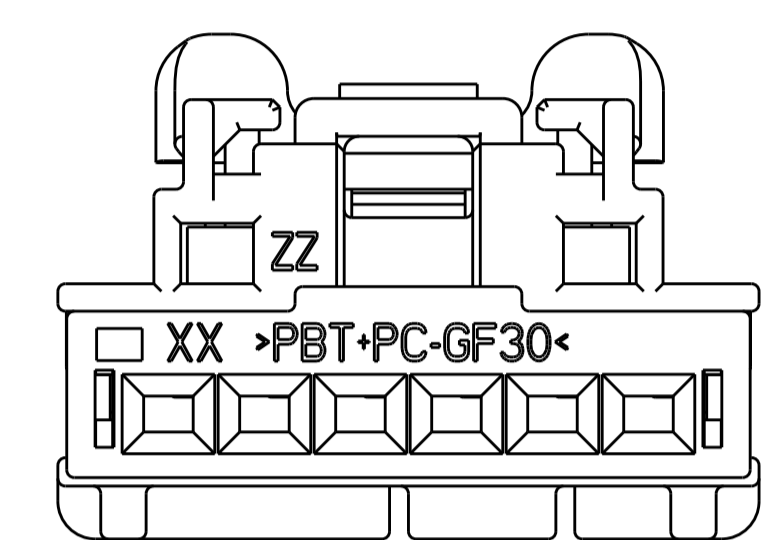
KEYING OPTION B



(SHOWN WITH CPA)

SCALE 2:1

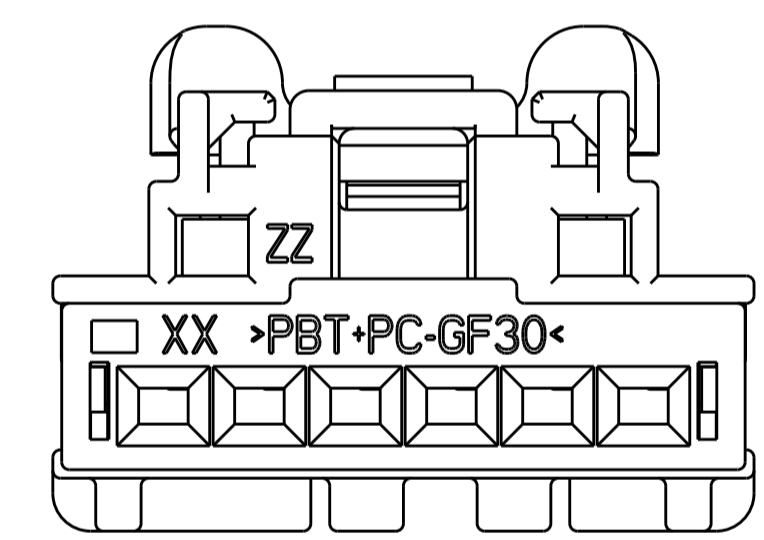
KEYING OPTION C



(SHOWN WITH CPA)

SCALE 2:1

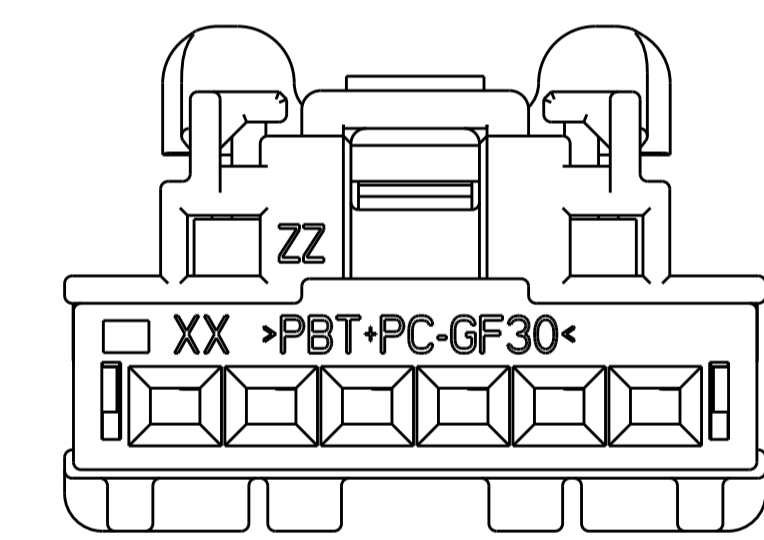
KEYING OPTION D



(SHOWN WITH CPA)

SCALE 2:1

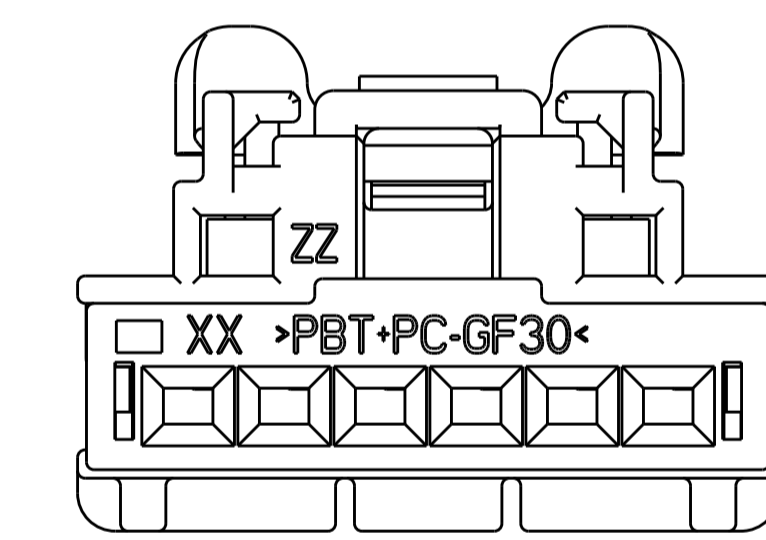
KEYING OPTION E



(SHOWN WITH CPA)

SCALE 2:1

KEYING OPTION F



(SHOWN WITH CPA)

SCALE 2:1

THIS DRAWING IS A CONTROLLED DOCUMENT.		DWN: R. VESTAL 14DEC2006 CHK: D. STRAUSSER 14DEC2006 APVD: D. STRAUSSER 14DEC2006	TE Connectivity
DIMENSIONS: mm 	TOLERANCES UNLESS OTHERWISE SPECIFIED: 0 PLC ± 1 PLC ± 2 PLC ± 3 PLC ± 4 PLC ± ANGLES ±	NAME: ASSEMBLY, 1X6 POSITION, GET, FEMALE, UNSEALED SIZE: A100779 C=1456985 CUSTOMER DRAWING	
MATERIAL: SEE TABLE	FINISH: -	WEIGHT: -	RESTRICTED TO: - SCALE: 5:1 SHEET 2 OF 2 REV: D4

X-ON Electronics

Largest Supplier of Electrical and Electronic Components

Click to view similar products for [Automotive Connectors](#) category:

Click to view products by [TE Connectivity](#) manufacturer:

Other Similar products are found below :

[003-018-000](#) [60403001](#) [60993906-B](#) [M902-2131](#) [M902-2161](#) [72.330.1035.1](#) [73.353.4028.0](#) [F119300-B](#) [F166900](#) [F258300-B](#) [F358300-B](#)
[F407400](#) [F444110](#) [F487000](#) [F509500B-B](#) [827153-1](#) [8N1515-32-24P](#) [9-1326729-8](#) [925474-1](#) [928905-1](#) [964562-4](#) [968782-1](#) [GT17SA-8DS-](#)
[HU](#) [98891-1012](#) [98947-1016](#) [12004147](#) [12004475-L](#) [12010290](#) [12010309-B](#) [12015454](#) [12020219-B](#) [12020308](#) [12041318-B](#) [12052225-L](#)
[12052466](#) [12059125](#) [12064869](#) [12004327-B](#) [12010503-B](#) [12015308](#) [12015384](#) [12015909](#) [1-21030-1](#) [12041254](#) [12041318](#) [12047946-B](#)
[12047957](#) [12047957-L](#) [12059473](#) [12066261](#)