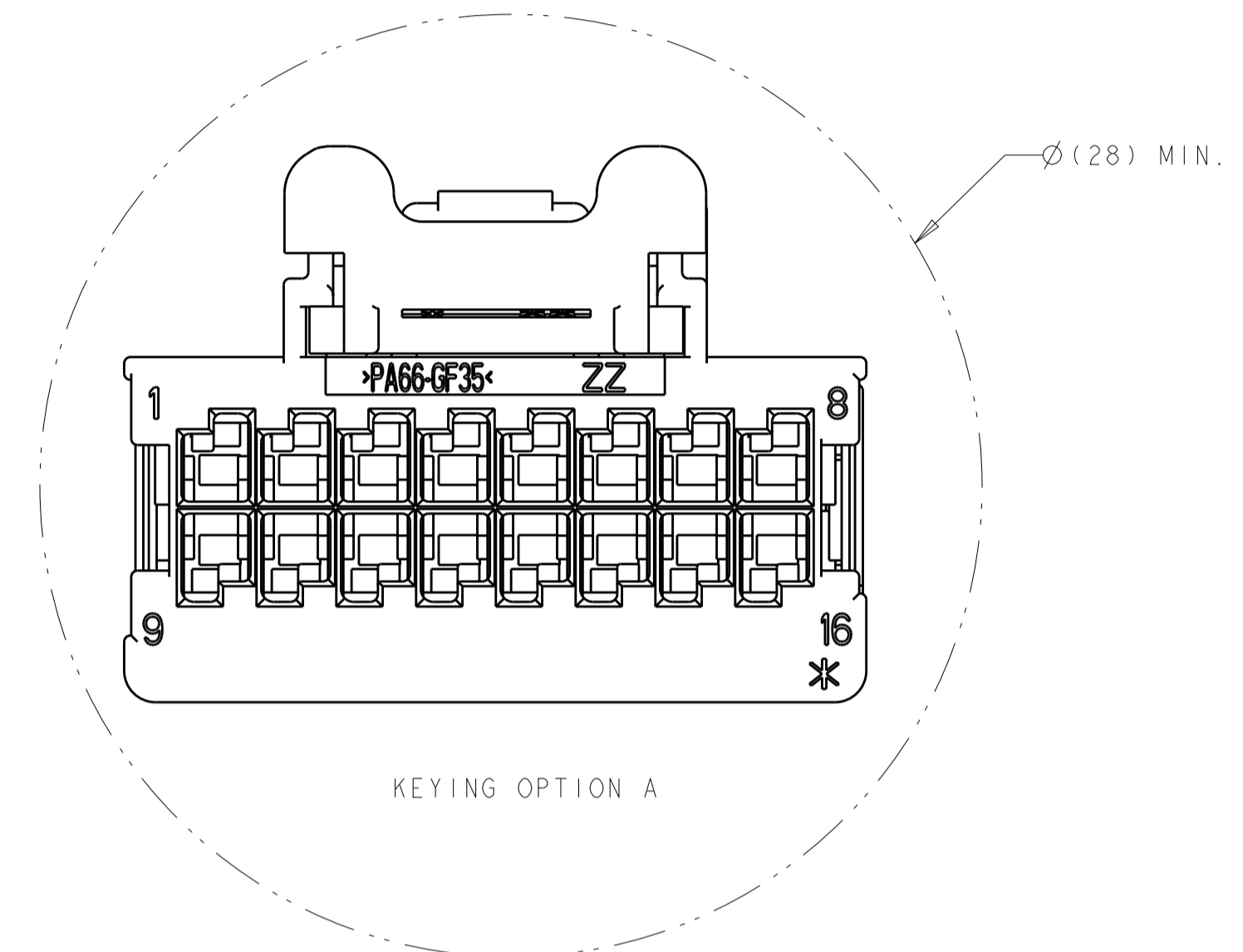
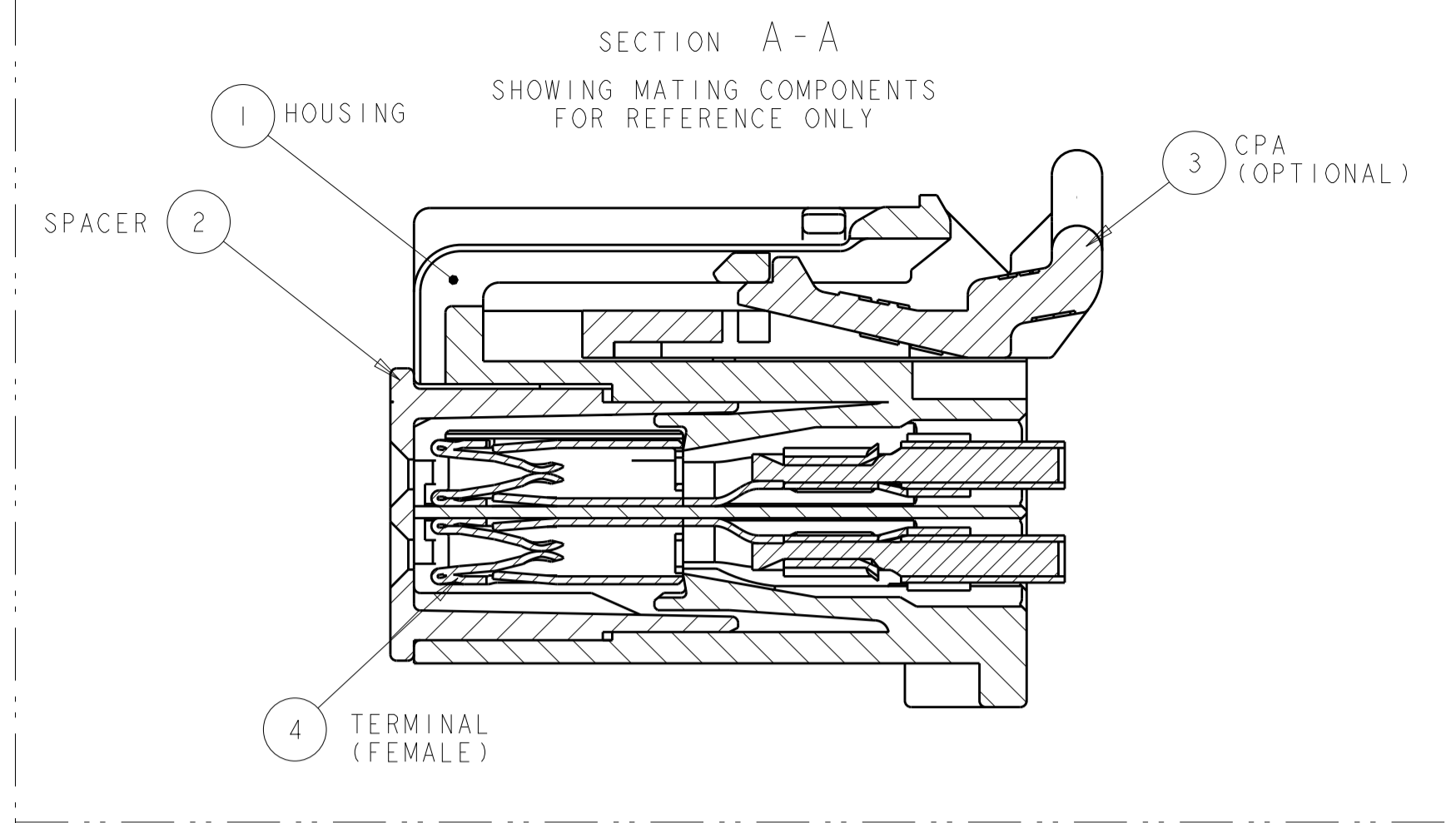
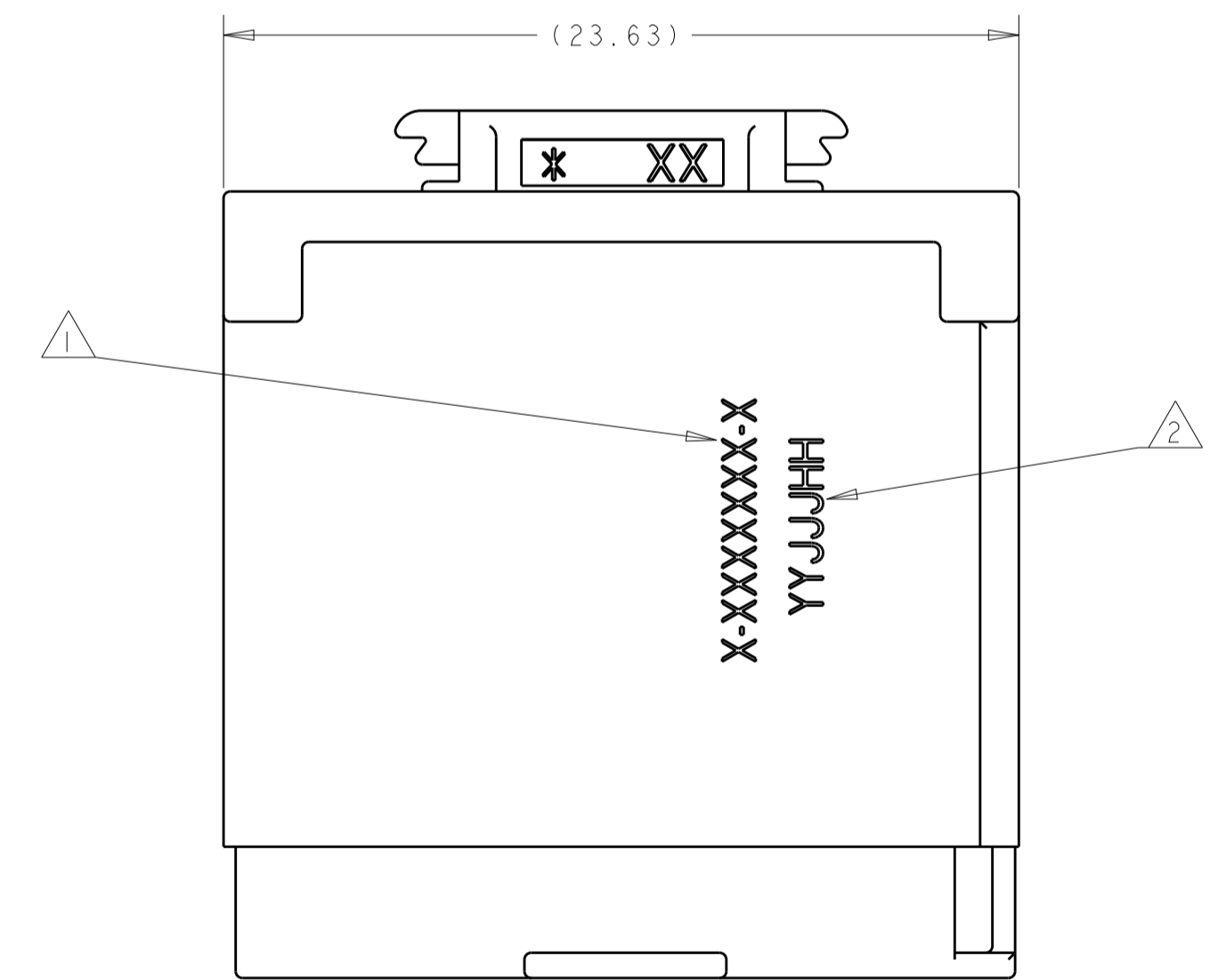
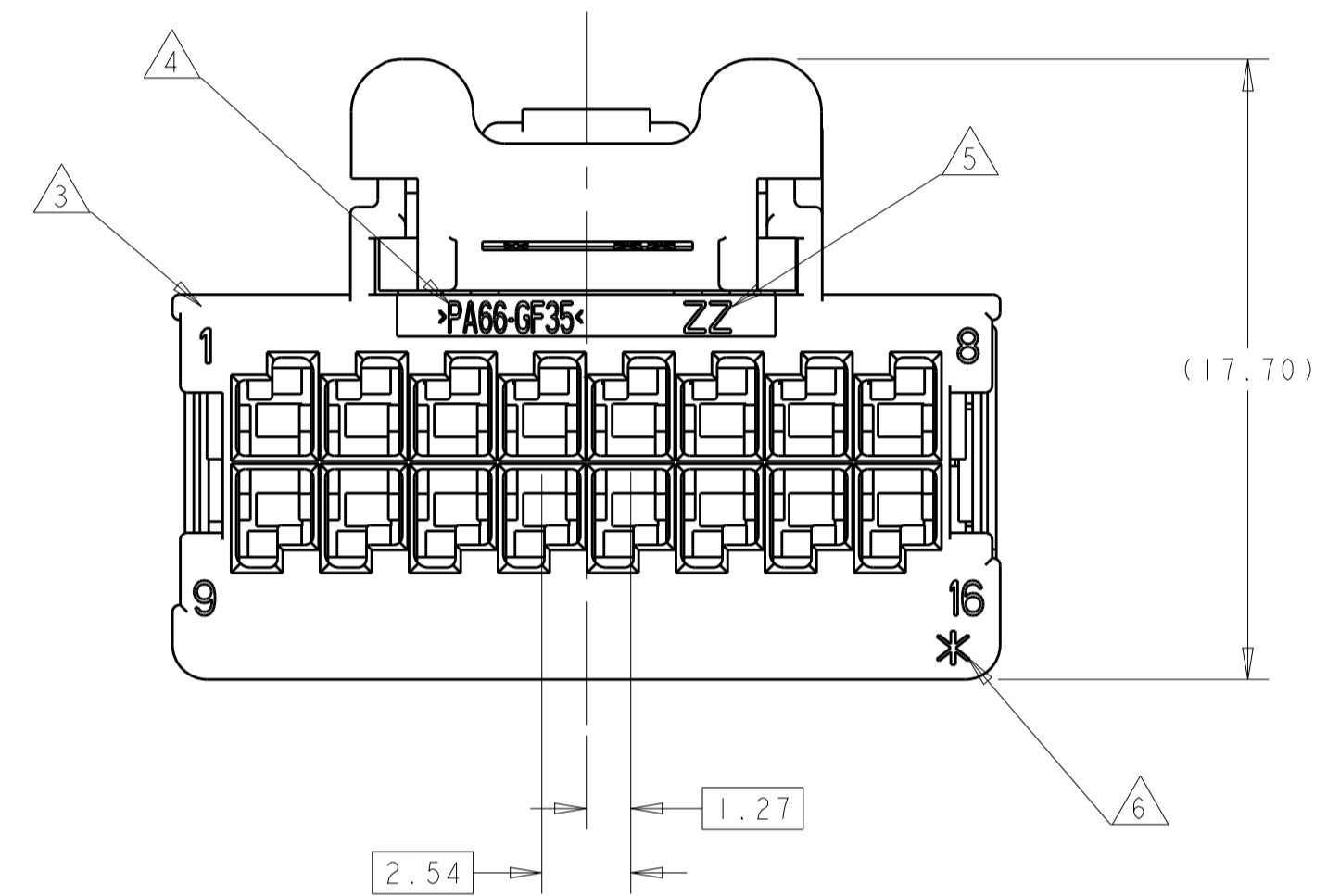


ASSEMBLY WITH CPA

(23.37)



REVISIONS				
P.	LTN	DESCRIPTION	DATE	APP'D
C		REVISED PER ECR-07-016022	30JUL2007	DLD DCS
C1		REVISED PER ECO-13-019739	06JAN2014	DD RL
C2		REVISED PER ECO-19-015741	22OCT2019	JMS CM

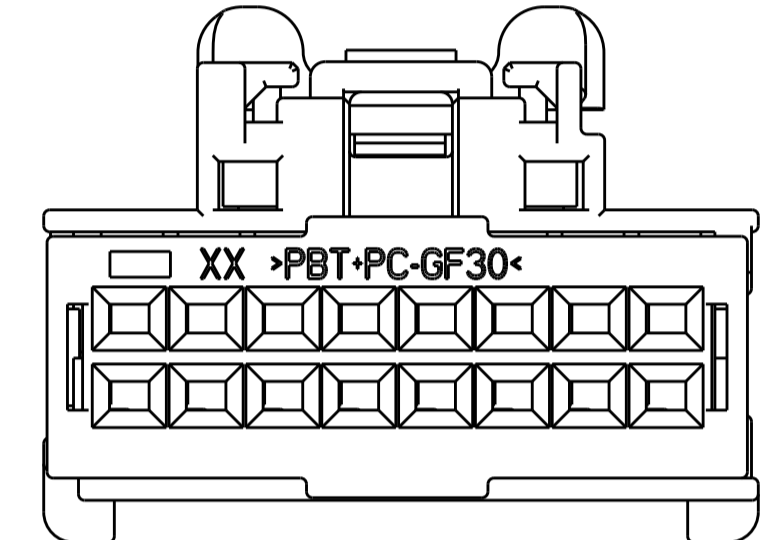
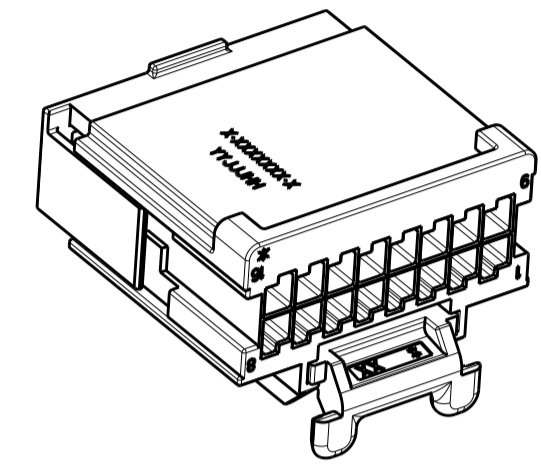
- ① TE CONNECTIVITY ASSY PART-NO. ACCORDING TO TABLE, LASER PRINTED, WHITE INK PERMITTED AS ALTERNATIVE.
- ② DATE CODE, FORMAT, YY=YEAR JJJ=DAY HH=HOUR, LASER PRINTED, WHITE INK PERMITTED AS ALTERNATIVE. SINGLE DIGIT HOUR NOTE ACCEPTABLE.
- ③ TERMINAL CAVITY ID.
- ④ MATERIAL ID.
- ⑤ MOLD CAVITY ID.
- ⑥ TE LOGO.
- ⑦ KEY "A" NOT RECOMMENDED FOR NEW APPLICATIONS.
- 8. PACKING: PARTS BULK PACKED IN CARDBOARD BOX.

1456989-7	1456989-6	1456989-5	1456989-4	1456989-3	1456989-2	1456989-1	<----- ASSEMBLY PN						
-	-	-	-	-	I	-	CPA	PBT-GF20	RED	3			
I	I	I	I	I	I	I	SPACER	PBT+PC-GF30	RED	2			
I	-	-	-	-	-	-	HOUSING; KEY F	PA66-GF35	BLACK	I			
-	I	-	-	-	-	-	HOUSING; KEY E	PA66-GF35	BLACK	I			
-	-	I	-	-	-	-	HOUSING; KEY D	PA66-GF35	BLACK	I			
-	-	-	I	-	-	-	HOUSING; KEY C	PA66-GF35	BLACK	I			
-	-	-	-	I	-	-	HOUSING; KEY A	PA66-GF35	LT. GREY	I			
-	-	-	-	-	I	I	HOUSING; KEY A	PA66-GF35	BLACK	I			
							DESCRIPTION	MATERIAL	COLOR	ITEM NO			
QTY REQ'D PER ASSY							REVISION OF EACH ASSY NO (WHEN BLANK, USE DWG REVISION)						
							WEIGHT OF EACH ASSY NO (g)						

PARTS LIST	
THIS DRAWING IS A CONTROLLED DOCUMENT.	DWN: R. VESTAL 30OCT2006 CHK: D. STRAUSSER 30OCT2006 APP'D: D. STRAUSSER 30OCT2006
DIMENSIONS: mm	TOLERANCES UNLESS OTHERWISE SPECIFIED: 0 PLC ± 1 PLC ± 2 PLC ± 3 PLC ± 4 PLC ± ANGLES ± FINISH -
MATERIAL: SEE TABLE	WEIGHT: - CUSTOMER DRAWING
NAME: 2X8 POSITION, GET FEMALE CONNECTOR UNSEALED ASSEMBLY SIZE: A1 00779 C=1456989 SCALE: 5:1 SHEET 1 OF 2 REV C2	

REVISIONS				
P.	LTN	DESCRIPTION	DATE	APVD
-		SEE SHEET 1	-	-

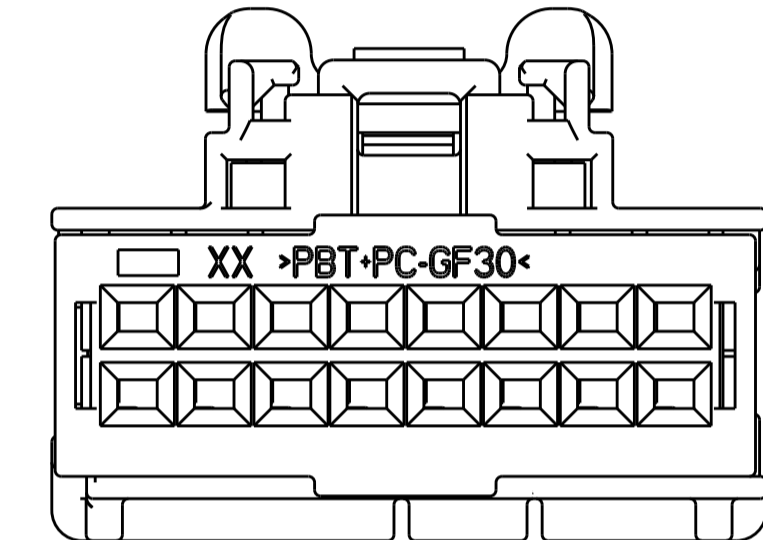
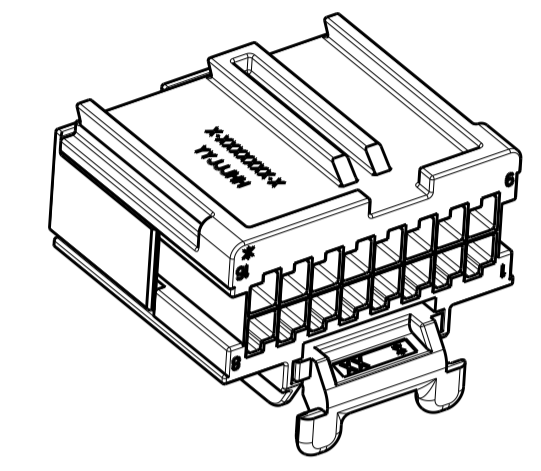
KEYING OPTION A



4:1

(SHOWN WITH CPA)

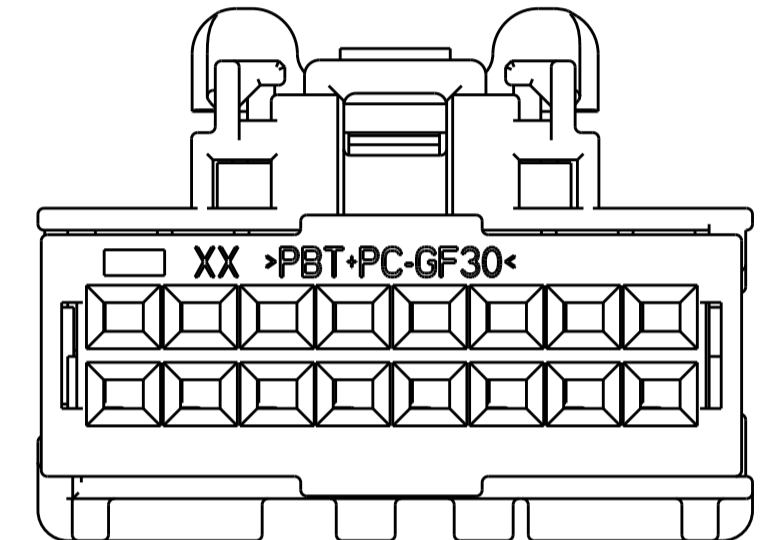
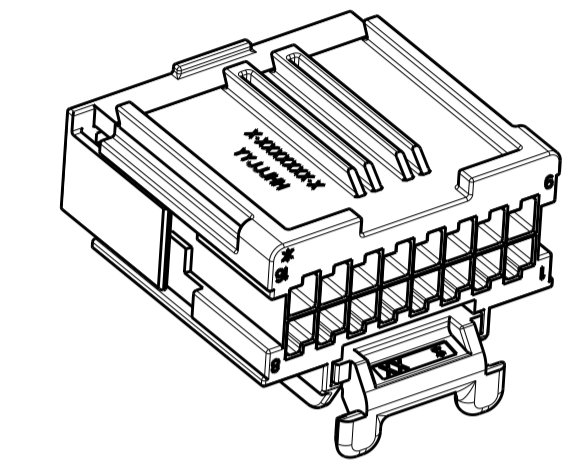
KEYING OPTION C



4:1

(SHOWN WITH CPA)

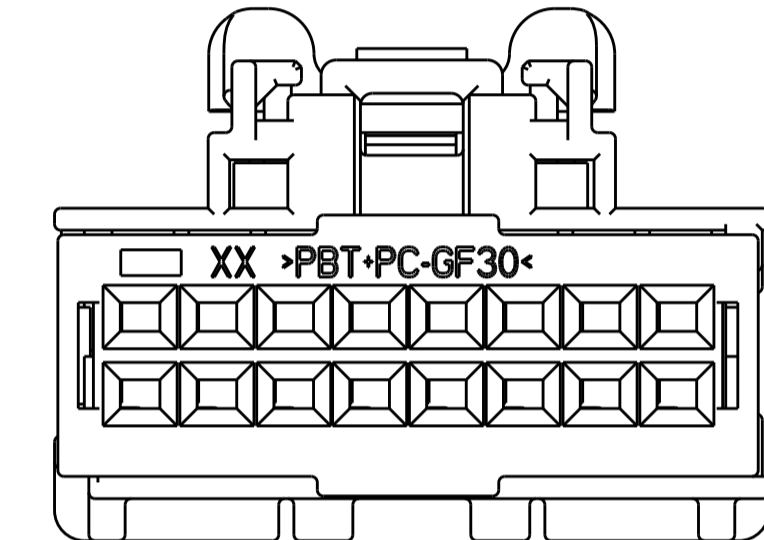
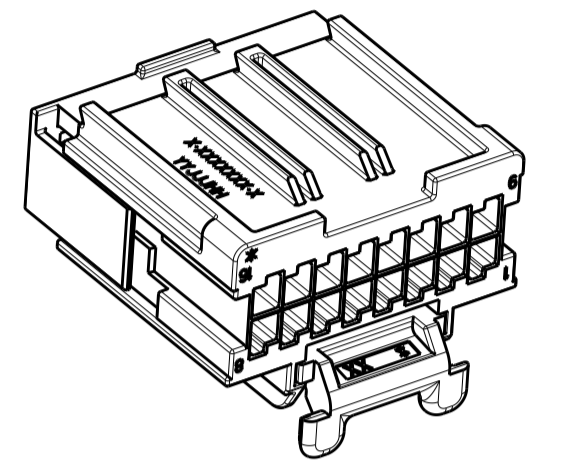
KEYING OPTION D



4:1

(SHOWN WITH CPA)

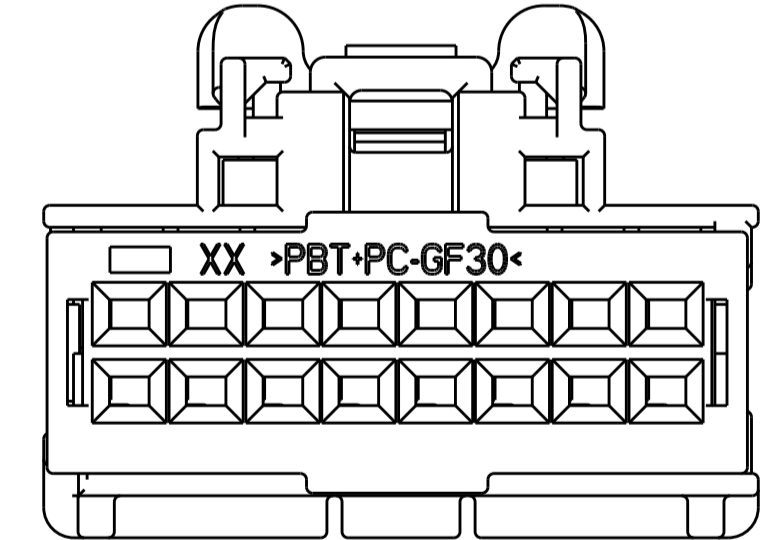
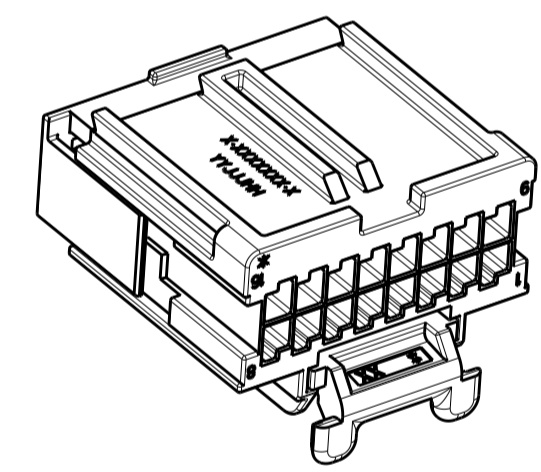
KEYING OPTION E



4:1

(SHOWN WITH CPA)

KEYING OPTION F



4:1

(SHOWN WITH CPA)

THIS DRAWING IS A CONTROLLED DOCUMENT.		DWN R. VESTAL	30OCT2006		NAME 2X8 POSITION, GET FEMALE CONNECTOR UNSEALED ASSEMBLY		
DIMENSIONS:		CHK D. STRAUSSER	30OCT2006				
mm	TOLERANCES UNLESS OTHERWISE SPECIFIED:	APVD D. STRAUSSER	30OCT2006	SIZE	CAGE CODE	DRAWING NO	RESTRICTED TO
	0 PLC ± 1 PLC ± 2 PLC ± 3 PLC ± 4 PLC ± ANGLES ±	PRODUCT SPEC	APPLICATION SPEC	A	00779	1456989	
MATERIAL SEE TABLE	FINISH	WEIGHT	CUSTOMER DRAWING	SCALE	5:1	SHEET	2 OF 2
				REV			C2

X-ON Electronics

Largest Supplier of Electrical and Electronic Components

Click to view similar products for [Automotive Connectors](#) category:

Click to view products by [TE Connectivity](#) manufacturer:

Other Similar products are found below :

[003-018-000](#) [60403001](#) [60993906-B](#) [M902-2131](#) [M902-2161](#) [72.330.1035.1](#) [73.353.4028.0](#) [F119300-B](#) [F166900](#) [F258300-B](#) [F358300-B](#)
[F407400](#) [F444110](#) [F487000](#) [F509500B-B](#) [827153-1](#) [8N1515-32-24P](#) [9-1326729-8](#) [925474-1](#) [928905-1](#) [964562-4](#) [968782-1](#) [GT17SA-8DS-](#)
[HU](#) [98891-1012](#) [98947-1016](#) [12004147](#) [12004475-L](#) [12010290](#) [12010309-B](#) [12015454](#) [12020219-B](#) [12020308](#) [12041318-B](#) [12052225-L](#)
[12052466](#) [12059125](#) [12064869](#) [12004327-B](#) [12010503-B](#) [12015308](#) [12015384](#) [12015909](#) [1-21030-1](#) [12041254](#) [12041318](#) [12047946-B](#)
[12047957](#) [12047957-L](#) [12059473](#) [12066261](#)