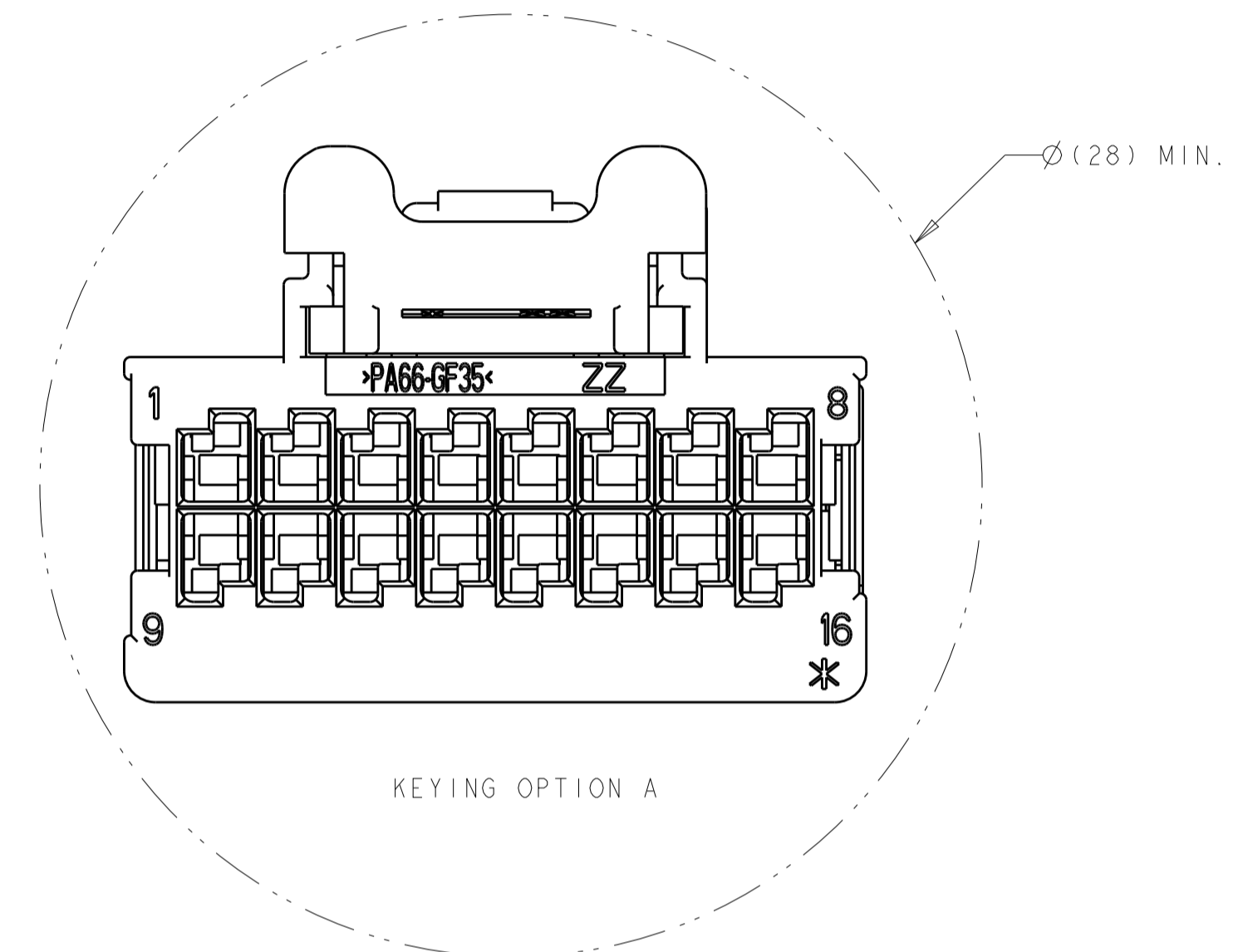
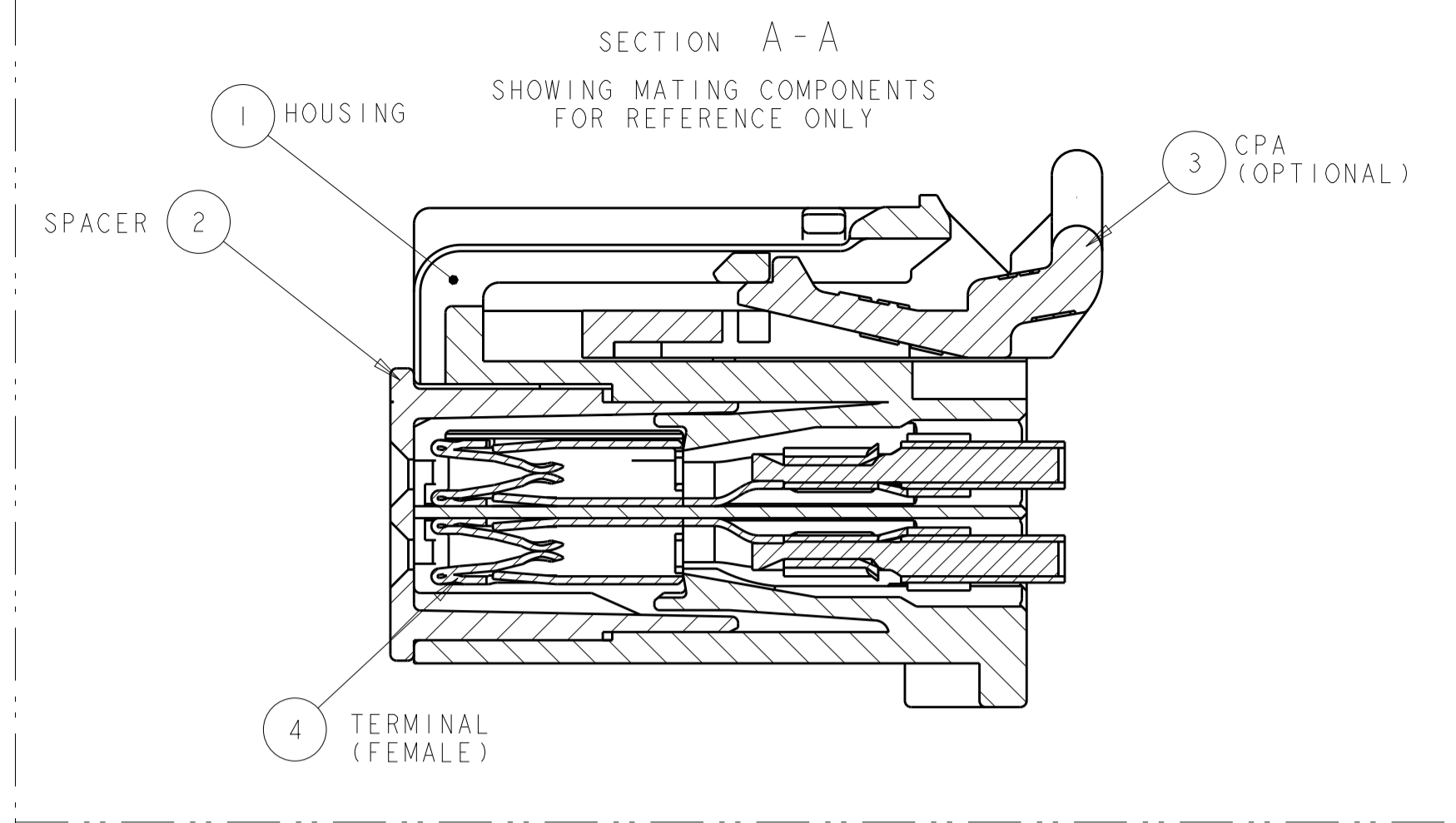
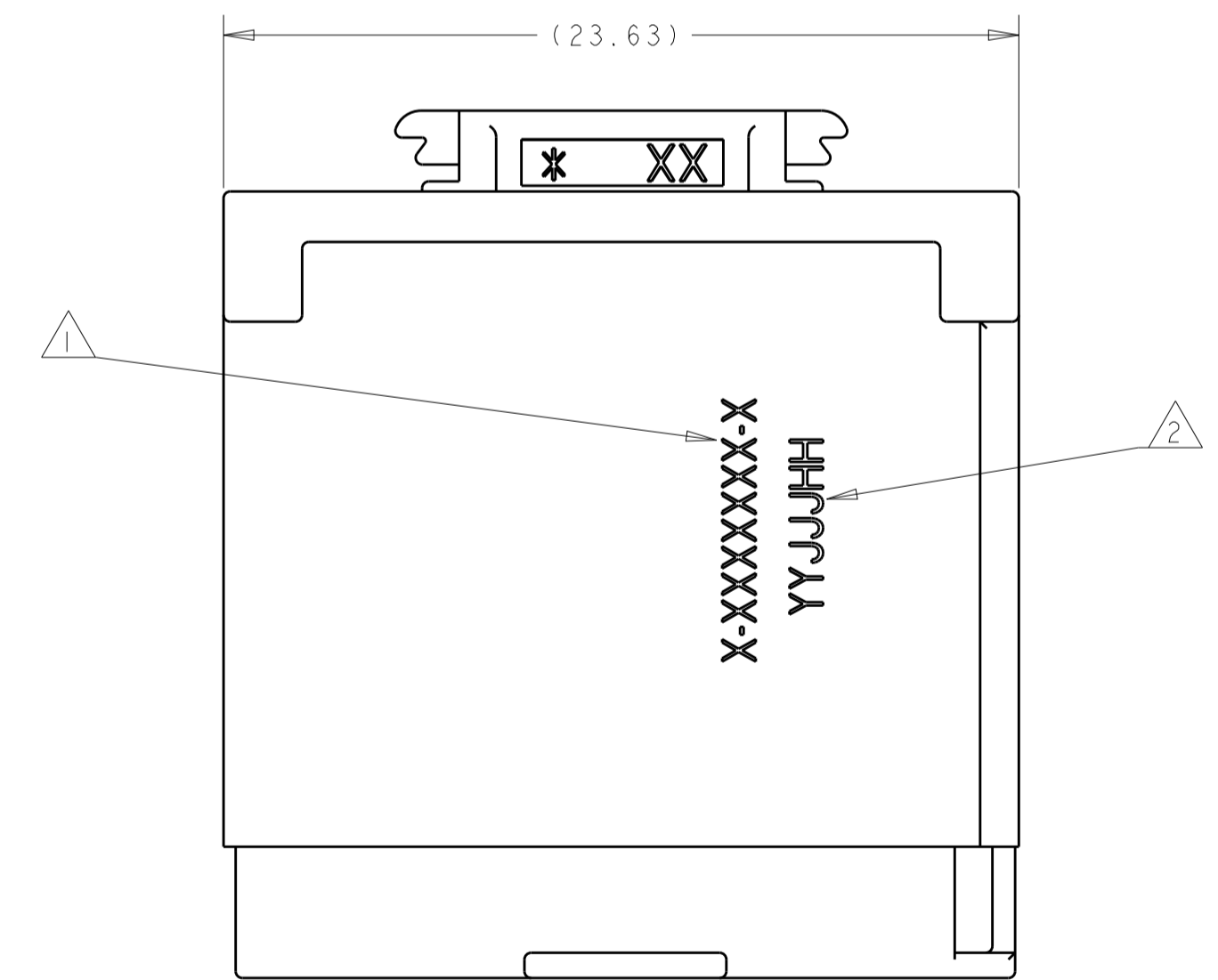
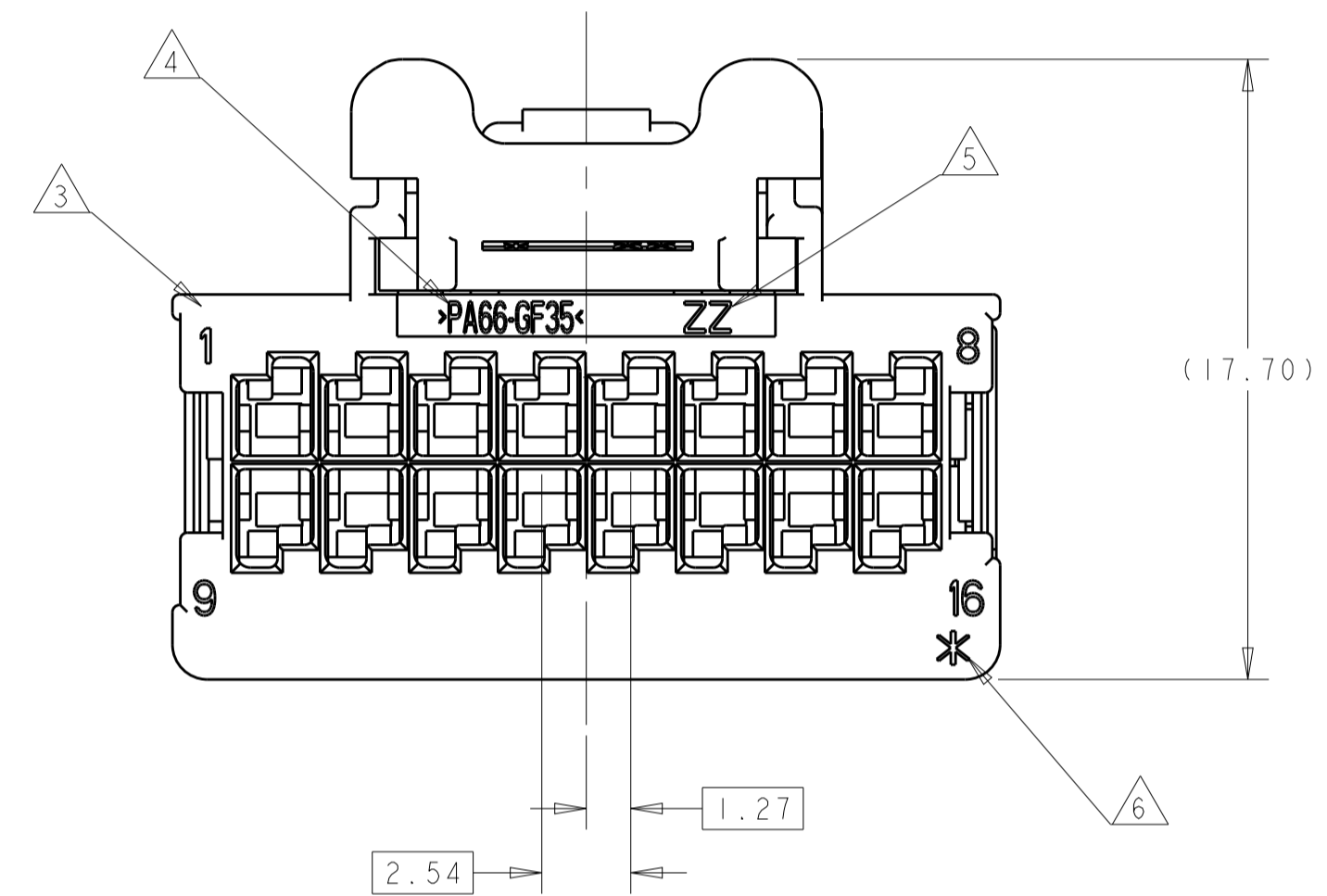


ASSEMBLY WITH CPA



REVISIONS				
P.	LTN.	DESCRIPTION	DATE	APVD.
C		REVISED PER ECR-07-016022	30JUL2007	DLD DCS
C1		REVISED PER ECO-13-019739	06JAN2014	DD RL
C2		REVISED PER ECO-19-015741	22OCT2019	JMS CM

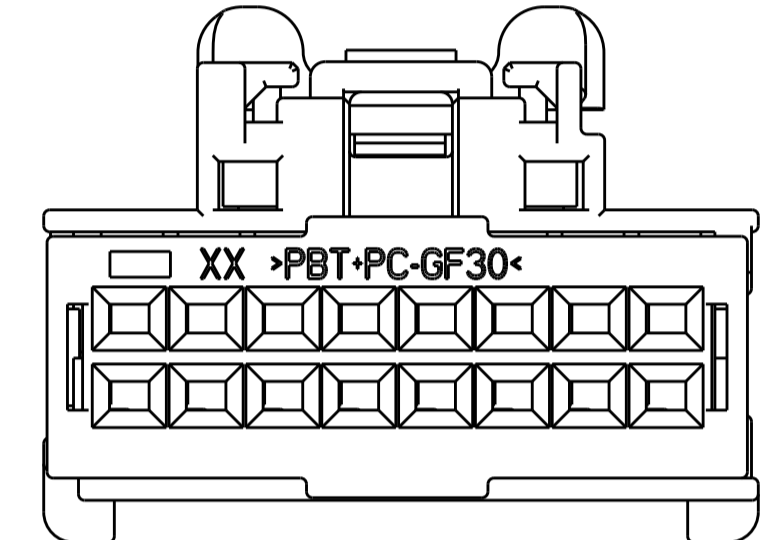
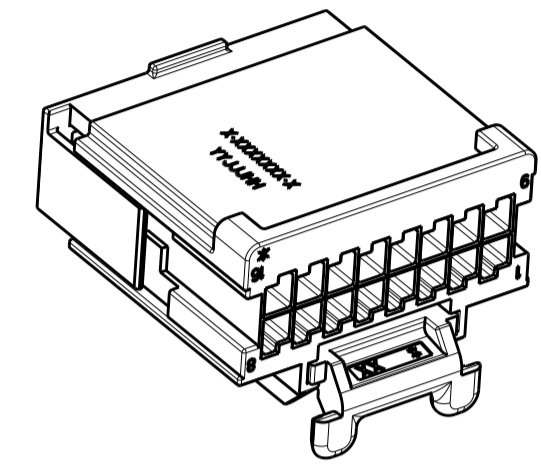
- 1. TE CONNECTIVITY ASSY PART-NO. ACCORDING TO TABLE, LASER PRINTED, WHITE INK PERMITTED AS ALTERNATIVE.
- 2. DATE CODE, FORMAT, YY=YEAR JJJ=DAY HH=HOUR, LASER PRINTED, WHITE INK PERMITTED AS ALTERNATIVE. SINGLE DIGIT HOUR NOTE ACCEPTABLE.
- 3. TERMINAL CAVITY ID.
- 4. MATERIAL ID.
- 5. MOLD CAVITY ID.
- 6. TE LOGO.
- 7. KEY "A" NOT RECOMMENDED FOR NEW APPLICATIONS.
- 8. PACKING: PARTS BULK PACKED IN CARDBOARD BOX.

1456989-7	1456989-6	1456989-5	1456989-4	1456989-3	1456989-2	1456989-1	<----- ASSEMBLY PN						
-	-	-	-	-	I	-	CPA	PBT-GF20	RED	3			
I	I	I	I	I	I	I	SPACER	PBT+PC-GF30	RED	2			
I	-	-	-	-	-	-	HOUSING; KEY F	PA66-GF35	BLACK	I			
-	I	-	-	-	-	-	HOUSING; KEY E	PA66-GF35	BLACK	I			
-	-	I	-	-	-	-	HOUSING; KEY D	PA66-GF35	BLACK	I			
-	-	-	I	-	-	-	HOUSING; KEY C	PA66-GF35	BLACK	I			
-	-	-	-	I	-	-	HOUSING; KEY A	PA66-GF35	LT. GREY	I			
-	-	-	-	-	I	I	HOUSING; KEY A	PA66-GF35	BLACK	I			
							DESCRIPTION	MATERIAL	COLOR	ITEM NO			
QTY REQ'D PER ASSY							REVISION OF EACH ASSY NO (WHEN BLANK, USE DWG REVISION)						
							WEIGHT OF EACH ASSY NO (g)						

PARTS LIST							
THIS DRAWING IS A CONTROLLED DOCUMENT.	DWN: R. VESTAL 30OCT2006 CHK: D. STRAUSSER 30OCT2006 APVD: D. STRAUSSER 30OCT2006						
DIMENSIONS: mm	TOLERANCES UNLESS OTHERWISE SPECIFIED: 0 PLC ± 1 PLC ± 2 PLC ± 3 PLC ± 4 PLC ± ANGLES ±						
MATERIAL: SEE TABLE	FINISH: -						
<table border="1"> <tr> <td>TE CONNECTIVITY</td> <td>NAME: 2X8 POSITION, GET FEMALE CONNECTOR UNSEALED ASSEMBLY</td> </tr> <tr> <td>SIZE: 408-8599</td> <td>CAGE CODE: 1456989</td> </tr> <tr> <td>DRAWING NO: A100779</td> <td>RESTRICTED TO: C2</td> </tr> </table>		TE CONNECTIVITY	NAME: 2X8 POSITION, GET FEMALE CONNECTOR UNSEALED ASSEMBLY	SIZE: 408-8599	CAGE CODE: 1456989	DRAWING NO: A100779	RESTRICTED TO: C2
TE CONNECTIVITY	NAME: 2X8 POSITION, GET FEMALE CONNECTOR UNSEALED ASSEMBLY						
SIZE: 408-8599	CAGE CODE: 1456989						
DRAWING NO: A100779	RESTRICTED TO: C2						
CUSTOMER DRAWING	SCALE: 5:1 SHEET 1 OF 2 REV: C2						

REVISIONS				
P.	LTN	DESCRIPTION	DATE	APVD
-		SEE SHEET 1	-	-

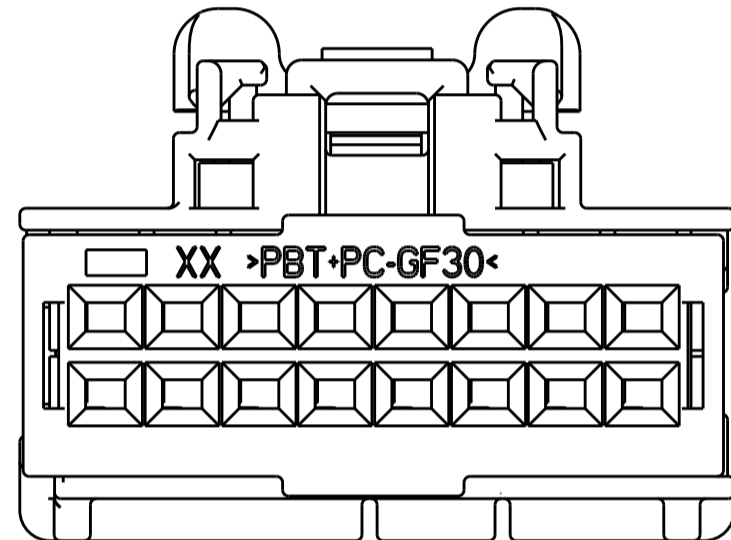
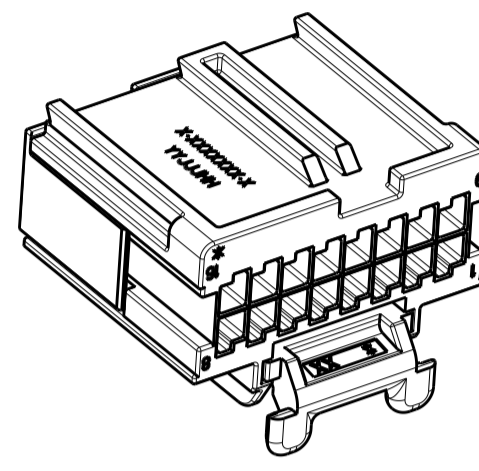
KEYING OPTION A



4:1

(SHOWN WITH CPA)

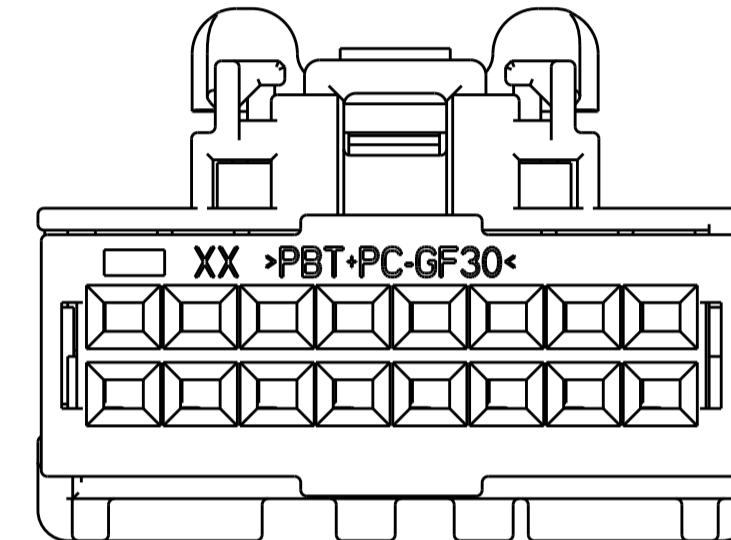
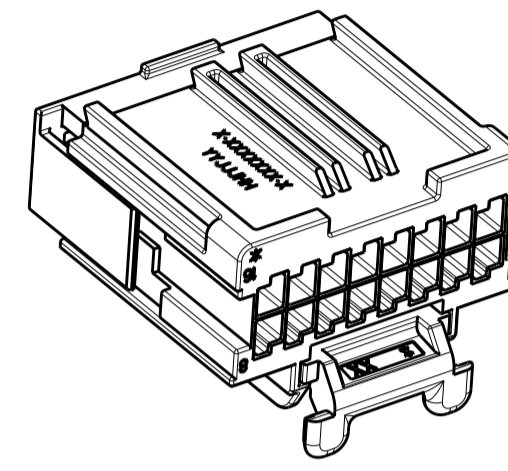
KEYING OPTION C



4:1

(SHOWN WITH CPA)

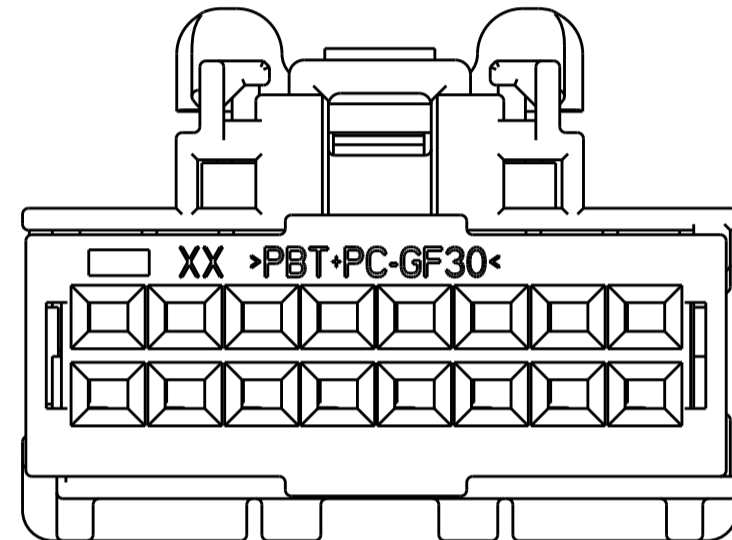
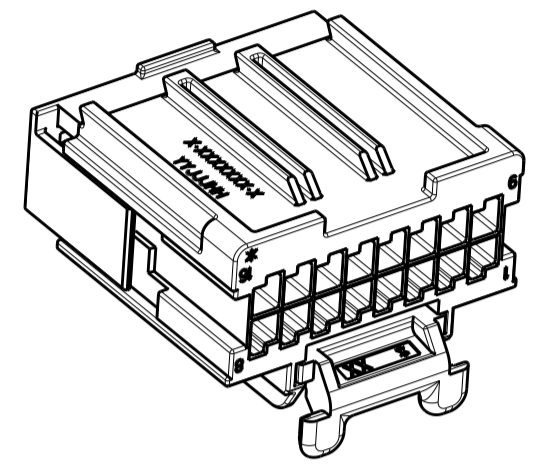
KEYING OPTION D



4:1

(SHOWN WITH CPA)

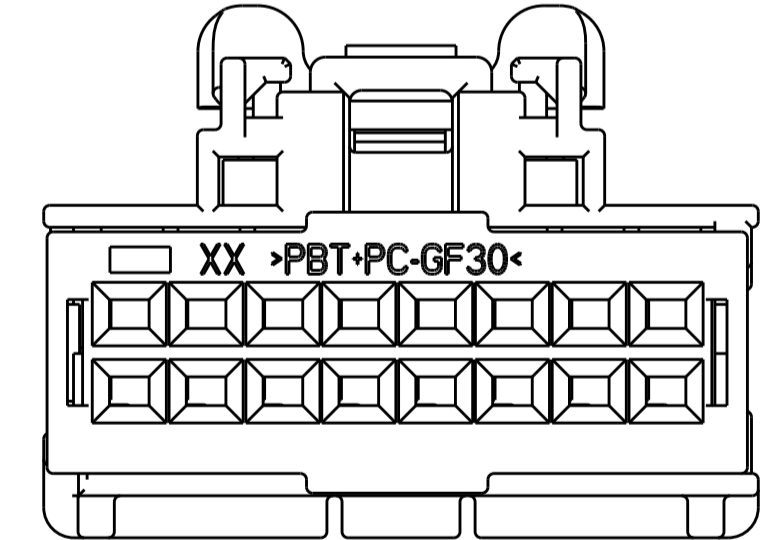
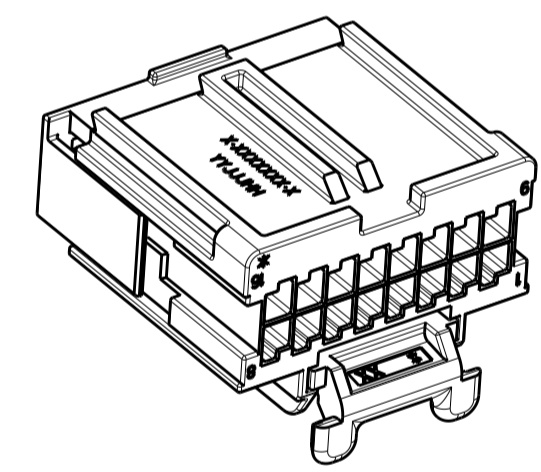
KEYING OPTION E



4:1

(SHOWN WITH CPA)

KEYING OPTION F



4:1

(SHOWN WITH CPA)

THIS DRAWING IS A CONTROLLED DOCUMENT.		DWN: R. VESTAL 30OCT2006	
DIMENSIONS: mm		CHK: D. STRAUSSER 30OCT2006	
		TOLERANCES UNLESS OTHERWISE SPECIFIED:	NAME: 2X8 POSITION, GET FEMALE CONNECTOR UNSEALED ASSEMBLY
MATERIAL: SEE TABLE		APVD: D. STRAUSSER 30OCT2006	RESTRICTED TO:
		PRODUCT SPEC:	SIZE: A 00779 C=1456989
		APPLICATION SPEC:	SCALE: 5:1 SHEET 2 OF 2 REV: C2
		ANGLES:	CUSTOMER DRAWING
		FINISH:	
		WEIGHT:	

X-ON Electronics

Largest Supplier of Electrical and Electronic Components

Click to view similar products for [Automotive Connectors](#) category:

Click to view products by [TE Connectivity](#) manufacturer:

Other Similar products are found below :

[003-018-000](#) [60403001](#) [60993906-B](#) [M902-2131](#) [M902-2161](#) [M902-2344](#) [72.330.1035.1](#) [73.353.4028.0](#) [F119300-B](#) [F166900](#) [F258300-B](#)
[F358300-B](#) [F407400](#) [F444110](#) [F487000](#) [F509500B-B](#) [827153-1](#) [8N1515-32-24P](#) [9-1326729-8](#) [925474-1](#) [928905-1](#) [964562-4](#) [968782-1](#)
[GT17SA-8DS-HU](#) [98891-1012](#) [98947-1016](#) [12004147](#) [12004475-L](#) [12010290](#) [12010309-B](#) [12015454](#) [12020219-B](#) [12041318-B](#) [12052225-](#)
[L](#) [12052466](#) [12064869](#) [12004327-B](#) [12015308](#) [12015384](#) [12015909](#) [1-21030-1](#) [12041254](#) [12041318](#) [12047946-B](#) [12047957](#) [12047957-L](#)
[12059473](#) [12066261](#) [12110546](#) [12110546-B](#)