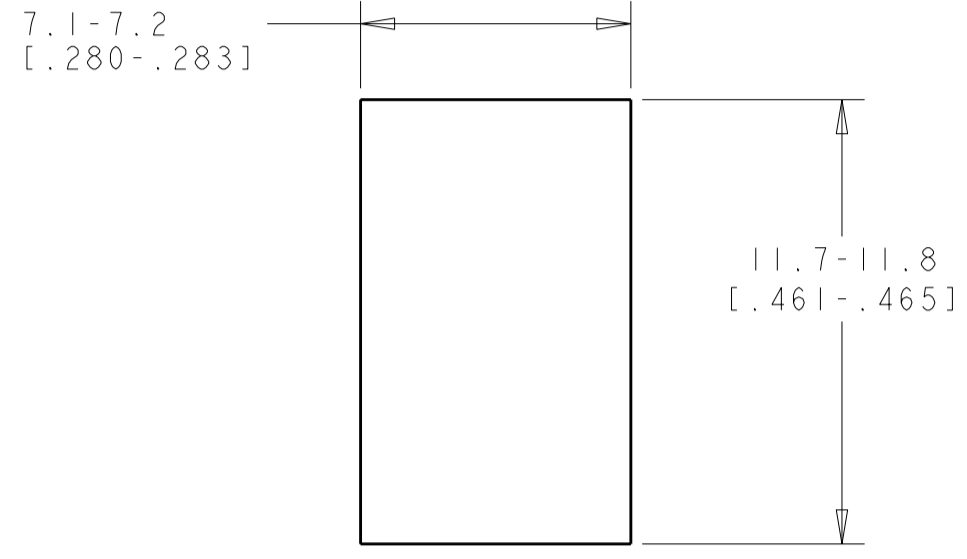


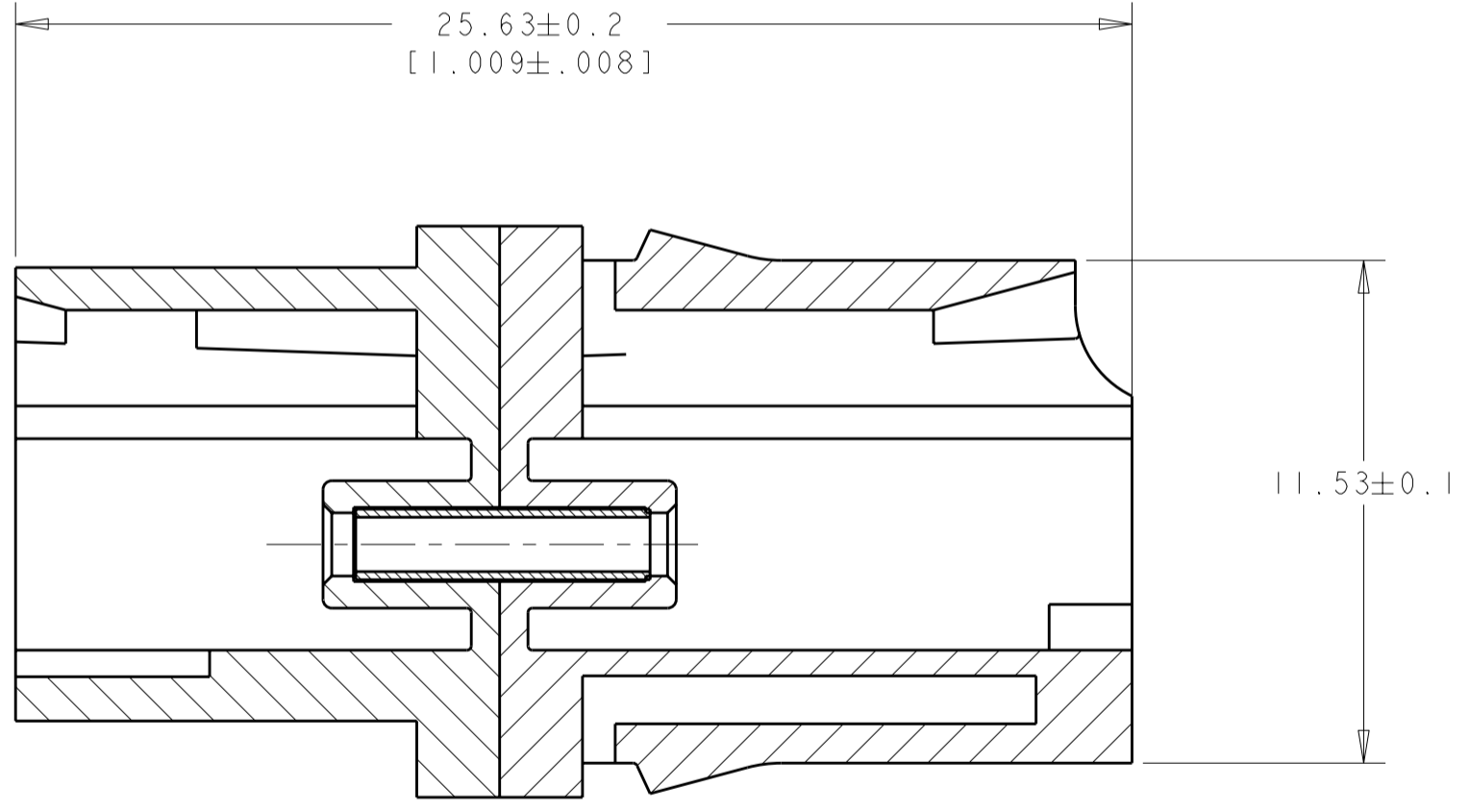
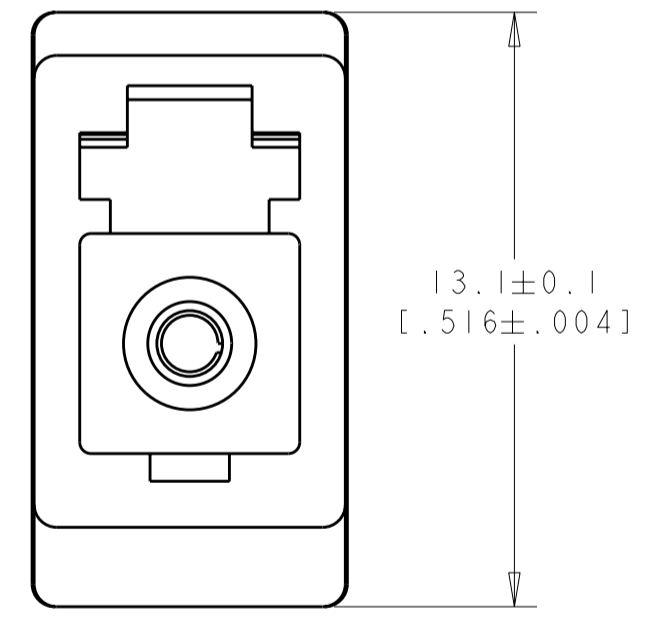
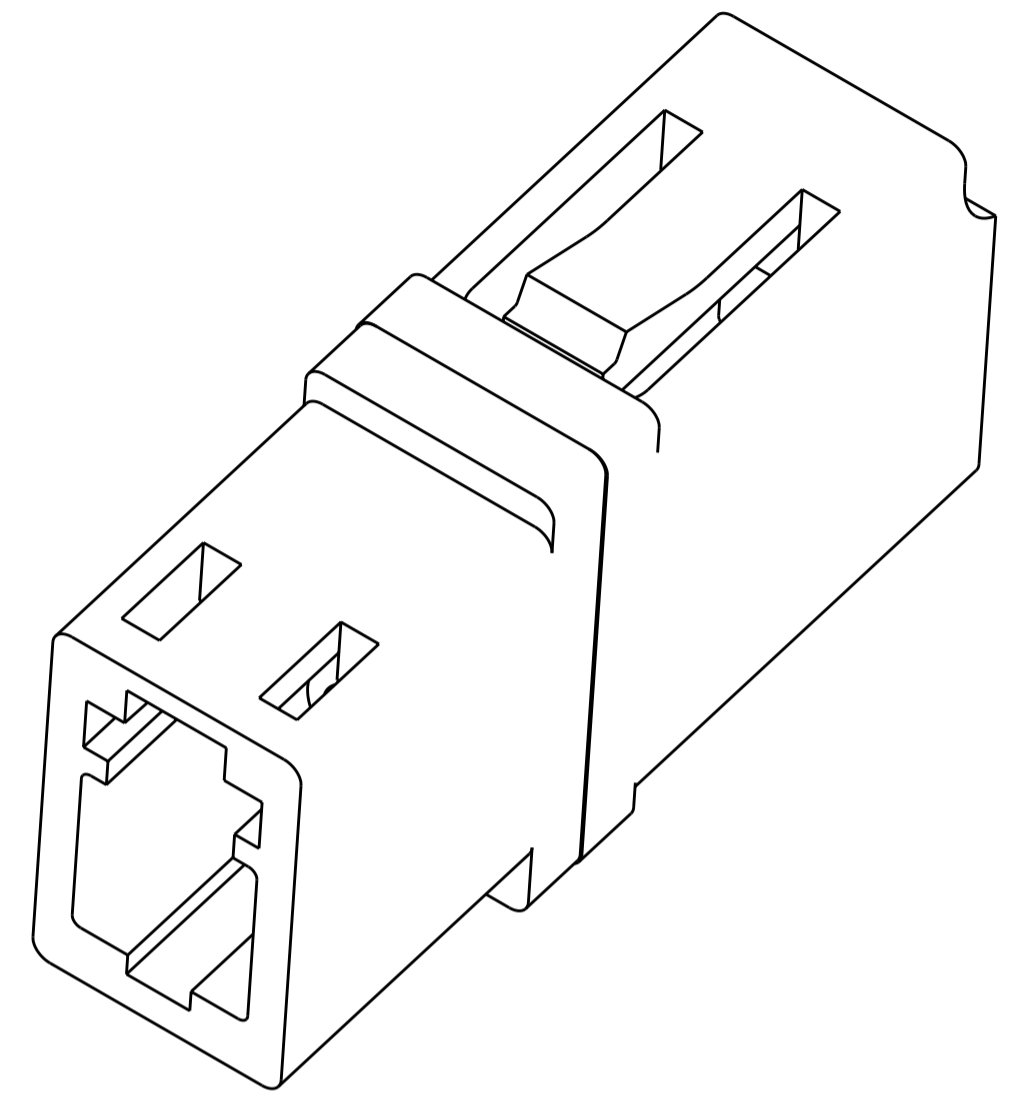
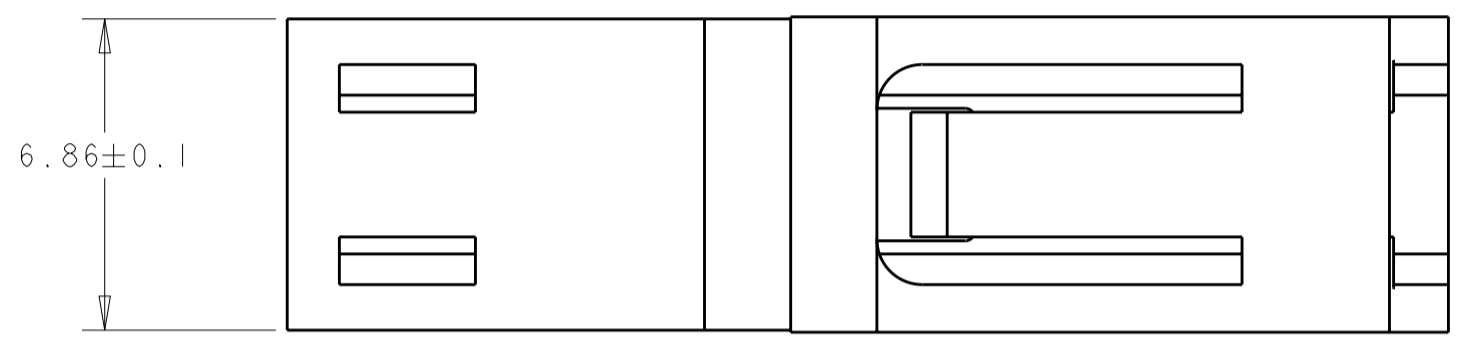
THIS DRAWING IS UNPUBLISHED. RELEASED FOR PUBLICATION  
 © COPYRIGHT BY TYCO ELECTRONICS CORPORATION. ALL INTERNATIONAL RIGHTS RESERVED.

LOC	DIST	REVISIONS			
P	LTR	DESCRIPTION	DATE	DWN	APVD
	A	REVISE PER 0A00-0505-04	27SEP2004	BB	CB
	A1	REV PER ECR-10-016231	09AUG2010	IL	CT

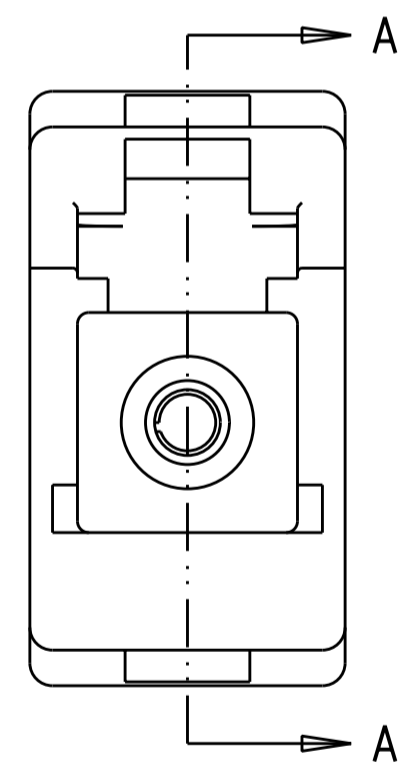
RECOMMENDED PANEL CUTOUT



PANEL THICKNESS: 1.2 / 1.7



SECTION A-A



BEIGE	CERAMIC	1457062-2
BLUE	CERAMIC	1457062-1
COLOR	SLEEVE MAT'L	PART NUMBER

1 MATERIAL:  
 HOUSING - THERMOPLASTIC, UL 94 V-0  
 DUST COVERS - THERMOPLASTIC ELASTOMER  
 ALIGNMENT SLEEVE - SEE TABLE  
 2. TWO DUST COVERS INCLUDED - NOT SHOWN

THIS DRAWING IS A CONTROLLED DOCUMENT FOR TYCO ELECTRONICS CORPORATION. IT IS SUBJECT TO CHANGE AND THE CONTROLLING ENGINEERING ORGANIZATION SHOULD BE CONTACTED FOR THE LATEST REVISION.		DWN M. GURRERI 27SEP2000	Tyco Electronics Corporation Shanghai, China	
DIMENSIONS: mm [INCHES]		CHK D. ERDMAN 27SEP2000	NAME ADAPTER, SIMPLEX, LC	
TOLERANCES UNLESS OTHERWISE SPECIFIED: 0 PLC ± 1 PLC ± 2 PLC ± 3 PLC ± 4 PLC ± ANGLES ± FINISH -		APVD S. BUCHTER 27SEP2000	RESTRICTED TO	
MATERIAL		PRODUCT SPEC	SIZE A2	CAGE CODE C-1457062
		APPLICATION SPEC	DRAWING NO 1457062	
		WEIGHT	SCALE 6:1	
		CUSTOMER DRAWING	SHEET 1 OF 1 REV A1	

## X-ON Electronics

Largest Supplier of Electrical and Electronic Components

*Click to view similar products for [Fiber Optic Connectors](#) category:*

*Click to view products by [TE Connectivity](#) manufacturer:*

Other Similar products are found below :

[0004700001](#) [6100-R](#) [6313](#) [F709034706](#) [F709722200](#) [F718183204](#) [F727403500](#) [F727752800](#) [FCXO-12-3BY](#) [FO-SCREW\(M2X6\)](#) [9440F20-27S-190](#) [944-120-6001](#) [944-125-6003](#) [9441F10SL-3P](#) [9441F10SL-3S](#) [9446F10SL-4S](#) [9446F12S-3S](#) [953-101-5310-P](#) [954-101-57202B](#)  
[A0270169](#) [12-9122](#) [12-5702](#) [143025NC](#) [AX101713](#) [AX102420](#) [AX103923](#) [AX104141](#) [AX104193](#) [AX104228](#) [AX104230](#) [AX104562](#)  
[AX105203-B25](#) [AX105205-S1](#) [EHSC2M](#) [17-300800](#) [181-011-126](#) [BT34IW](#) [HRFCP-HSCJ-1\(61\)](#) [HRFC-R2\(40\)](#) [NKSOPBUY](#) [20500002116](#)  
[2064996-1](#) [20800001065](#) [2170](#) [9132](#) [2612](#) [2620](#) [9291](#) [9440F18-19S](#) [9440F20-14P](#)