

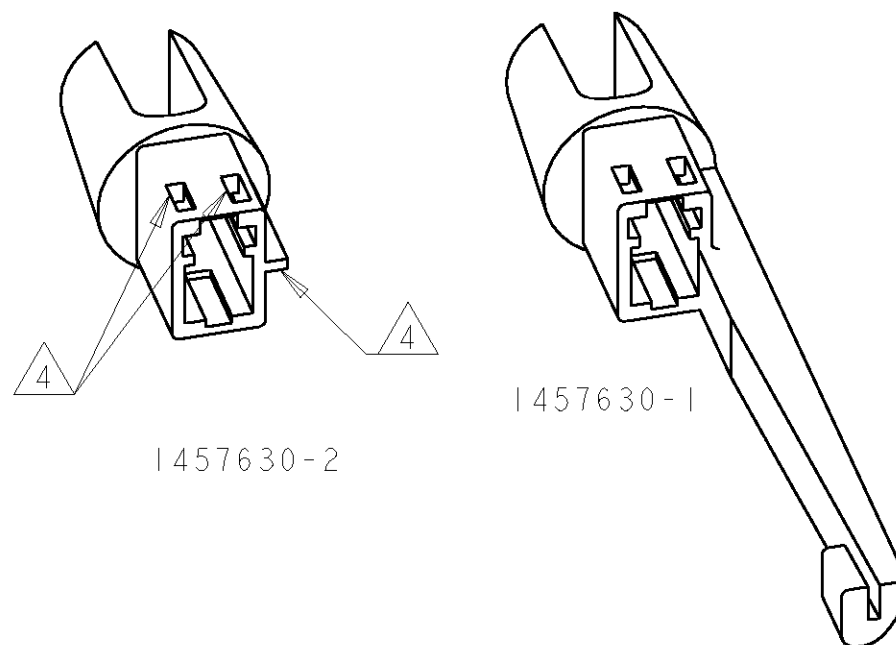
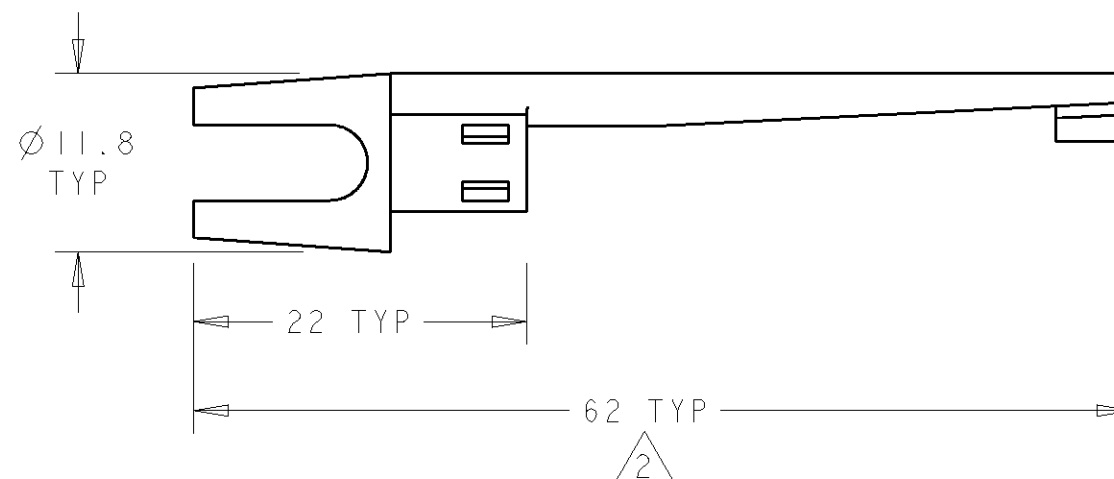
LOC
CE

DIST
00

REVISIONS

P	LTR	DESCRIPTION	DATE	DWN	APVD
	A	REV PER 0A00-391-01	25OCT2001	RCF	MG
	B	REVISE PER 0A00-0486-04	14SEP2004	BB	CB
	C	REVISE PER 0A00-0163-05	06JUN05	KG	DK

- 1 MATERIAL: THERMOPLASTIC
- 2 DIMENSION APPLIES TO 1457630-1 ONLY.
- 3 MINIMUM ORDER QUANTITY: 12 PIECE.
- 4 NONFUNCTIONAL FEATURES MAY OR MAY NOT BE PRESENT.



3	JACKET	1457630-2
3	BUFFER	1457630-1
	CABLE TYPE	PART NUMBER

THIS DRAWING IS A CONTROLLED DOCUMENT FOR TYCO ELECTRONICS CORPORATION. IT IS SUBJECT TO CHANGE AND THE CONTROLLING ENGINEERING ORGANIZATION SHOULD BE CONTACTED FOR THE LATEST REVISION.

DIMENSIONS:	TOLERANCES UNLESS OTHERWISE SPECIFIED:
mm	
	0 PLC ±-
	1 PLC ±-
	2 PLC ±-
	3 PLC ±-
	4 PLC ±-
	ANGLES ±-
MATERIAL	FINISH
1	-

DWN	R FLAIG	01JUN2001	 Tyco Electronics Harrisburg, PA 17105-3608	
CHR	M GURRERI	01JUN2001		
APVD	S BUCHTER	01JUN2001		
PRODUCT SPEC	-			
APPLICATION SPEC	-		NAME	FIBER PROTECTOR, LC CONNECTOR
WEIGHT	-		SIZE	A3
CUSTOMER DRAWING			CAGE CODE	00779
			DRAWING NO	1457630
			RESTRICTED TO	-
			SCALE	2:1
			SHEET	1 OF 1
			REV	C

X-ON Electronics

Largest Supplier of Electrical and Electronic Components

Click to view similar products for [Fibre Optic Connectors](#) category:

Click to view products by [TE Connectivity](#) manufacturer:

Other Similar products are found below :

[0004700001](#) [6100-R](#) [6313](#) [F709034706](#) [F709722200](#) [F709730000](#) [F718183204](#) [F727403500](#) [F727752800](#) [8119](#) [9440F20-27S-190](#) [944-120-6001](#) [9441F10SL-3S](#) [9444W28-21S](#) [9444W36-10S](#) [9446F10SL-4S](#) [9446W20-16S](#) [953-101-5310-P](#) [954-101-57202B](#) [A0270169](#) [12-9122](#) [12-5702](#) [AX101713](#) [AX102420](#) [AX103923](#) [AX104024](#) [AX104193](#) [AX104230](#) [AX104562](#) [AX105203-B25](#) [AX105205-S1](#) [EHSC2M](#) [181-011-126](#) [181-011-S](#) [181-057-126](#) [HRFC-R2\(40\)](#) [NKSOPBUY](#) [20500002116](#) [2064996-1](#) [20800001065](#) [2170](#) [9132](#) [2612](#) [2620](#) [9291](#) [9440F16-10S](#) [9440F20-18S](#) [9442W14S-10P](#) [9446F16-10S-190](#) [953-106-50231](#)