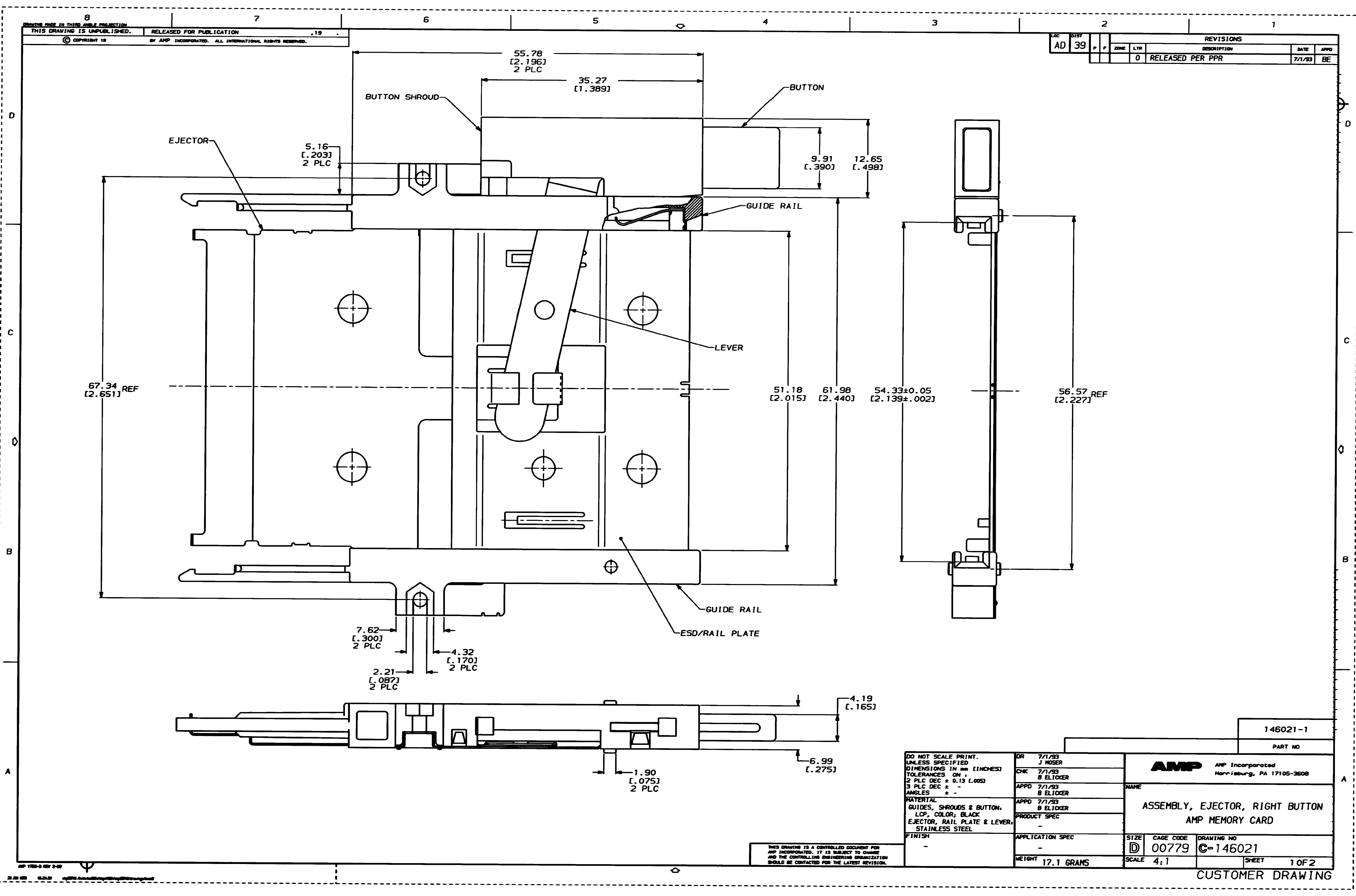


LOC		DIST		ZONE		LTR		REVISIONS		DATE	APPD
AD	39							0	RELEASED PER PPR	7/1/93	BE



THIS DRAWING IS A CONTROLLED DOCUMENT FOR AMP INCORPORATED. IT IS SUBJECT TO CHANGE AND THE CONTROLLING ENGINEERING ORGANIZATION SHOULD BE CONTACTED FOR THE LATEST REVISION.

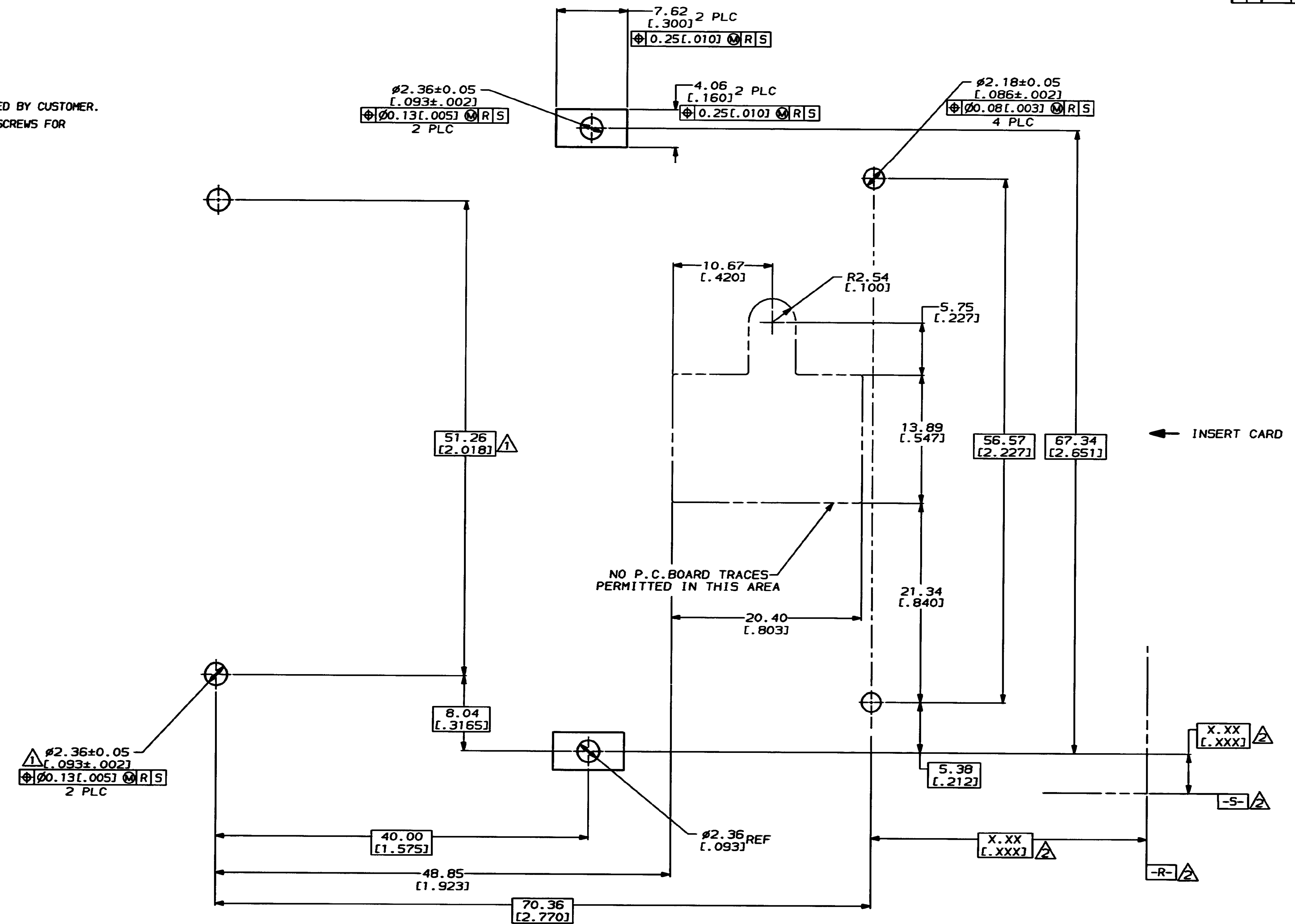
DO NOT SCALE PRINT. UNLESS SPECIFIED DIMENSIONS IN mm (INCHES) TOLERANCES ON:	DR 7/1/93 J MOSER
2 PLC DEC ± 0.13 (.005)	CHK 7/1/93 B ELICKER
3 PLC DEC ± -	APPD 7/1/93 B ELICKER
ANGLES ± -	APPD 7/1/93 B ELICKER
MATERIAL	PRODUCT SPEC
GUIDES, SHROUDS & BUTTON, LCP, COLOR, BLACK	-
EJECTOR, RAIL PLATE & LEVER, STAINLESS STEEL	-
FINISH	APPLICATION SPEC
-	-
WEIGHT 17.1 GRAMS	

AMP Incorporated Harrisburg, PA 17105-3608	
NAME	
ASSEMBLY, EJECTOR, RIGHT BUTTON AMP MEMORY CARD	
SIZE	CAGE CODE
D	00779
SCALE	DRAWING NO
4:1	C-146021
	SHEET
	1 OF 2

146021-1  
 PART NO

LOG		DIST		REVISONS		DATE	APPD
AD	39	P	F	ZONE	LTR	DESCRIPTION	
				0		SEE SHEET ONE	

▲ HEADER MOUNTING HOLE LOCATIONS  
 ▲ DATUMS & BASIC DIMENSIONS ESTABLISHED BY CUSTOMER.  
 3. ASSEMBLY REQUIRES USE OF 2-SIZE 2M SCREWS FOR FASTENING TO PRINTED CIRCUIT BOARD.



RECOMMENDED BOARD LAYOUT

DO NOT SCALE PRINT.  
 UNLESS SPECIFIED  
 DIMENSIONS IN mm (INCHES)  
 TOLERANCES ON:  
 2 PLC DEC ± 0.13 (0.005)  
 3 PLC DEC ± -  
 ANGLES ± -  
 MATERIAL -  
 FINISH -  
 WEIGHT -

DR	7/1/93	J WISER
CHK	7/1/93	B ELICKER
APPD	7/1/93	B ELICKER
APPD	7/1/93	B ELICKER
PRODUCT SPEC	-	-
APPLICATION SPEC	-	-
WEIGHT	-	-

PART NO		AMP Incorporated Harrisburg, PA 17105-3608	
NAME ASSEMBLY, EJECTOR, RIGHT BUTTON, AMP MEMORY CARD			
SIZE	CAGE CODE	DRAWING NO	
D	00779	C-146021	
SCALE	4:1	SHEET	20F2

THIS DRAWING IS A CONTROLLED DOCUMENT FOR AMP INCORPORATED. IT IS SUBJECT TO CHANGE AND THE CONTROLLING ENGINEERING ORGANIZATION SHOULD BE CONTACTED FOR THE LATEST REVISION.

## X-ON Electronics

Largest Supplier of Electrical and Electronic Components

*Click to view similar products for [Memory Card Connectors](#) category:*

*Click to view products by [TE Connectivity](#) manufacturer:*

Other Similar products are found below :

[M21-033321-005](#) [6407-249V-25273P](#) [6407-249V-25343P](#) [6426-201-21343](#) [69.920.0553.0](#) [FCN-568P068-G/07-4V](#) [809180410000000](#)  
[N7E50-7516PG-20-WF](#) [HMCAP001](#) [2041353-2](#) [33CFAE-DN](#) [502431-1011](#) [EN2997S61212BN](#) [EN2997SE61212BN](#) [NX1-32T-KT3K\(05\)](#)  
[95622-003LF](#) [N7E50-U516RB-50-SIN0005](#) [95079-00CALF](#) [33DVIR-29S12R](#) [125A-78C00](#) [MI20A-50PD-SF-EJL\(71\)](#) [KP10S-SF-PEJ\(812\)](#)  
[504536-0691](#) [504580-0691](#) [CCM03-3109 B LFT](#) [MI21-50PD-SF\(91\)](#) [2309923-1](#) [61126-050CAHLF](#) [IC1GA-68PD-1.27DS-EJ\(72\)](#)  
[GTFP08432B1HR](#) [G85DT17001P1EU](#) [G85B21611142HHR](#) [GSD090144HR](#) [G85D1140022P1HR](#) [GMCB05801124EU](#) [G85C11101152HHR](#)  
[G85B231021B1HR](#) [G85D1160022HHR](#) [112K-TAA0-RA1](#) [115S-ACA2](#) [115S-ACA3](#) [115S-BS00](#) [115S-BT00](#) [115V-AD00](#) [MCSP-Q1-08-](#)  
[A-SG-T/R](#) [503960-0695](#) [101B-TAA0-R](#) [101D-TAAA-R01](#) [101D-TAAB-R01](#) [104D-TCA0-R06](#)