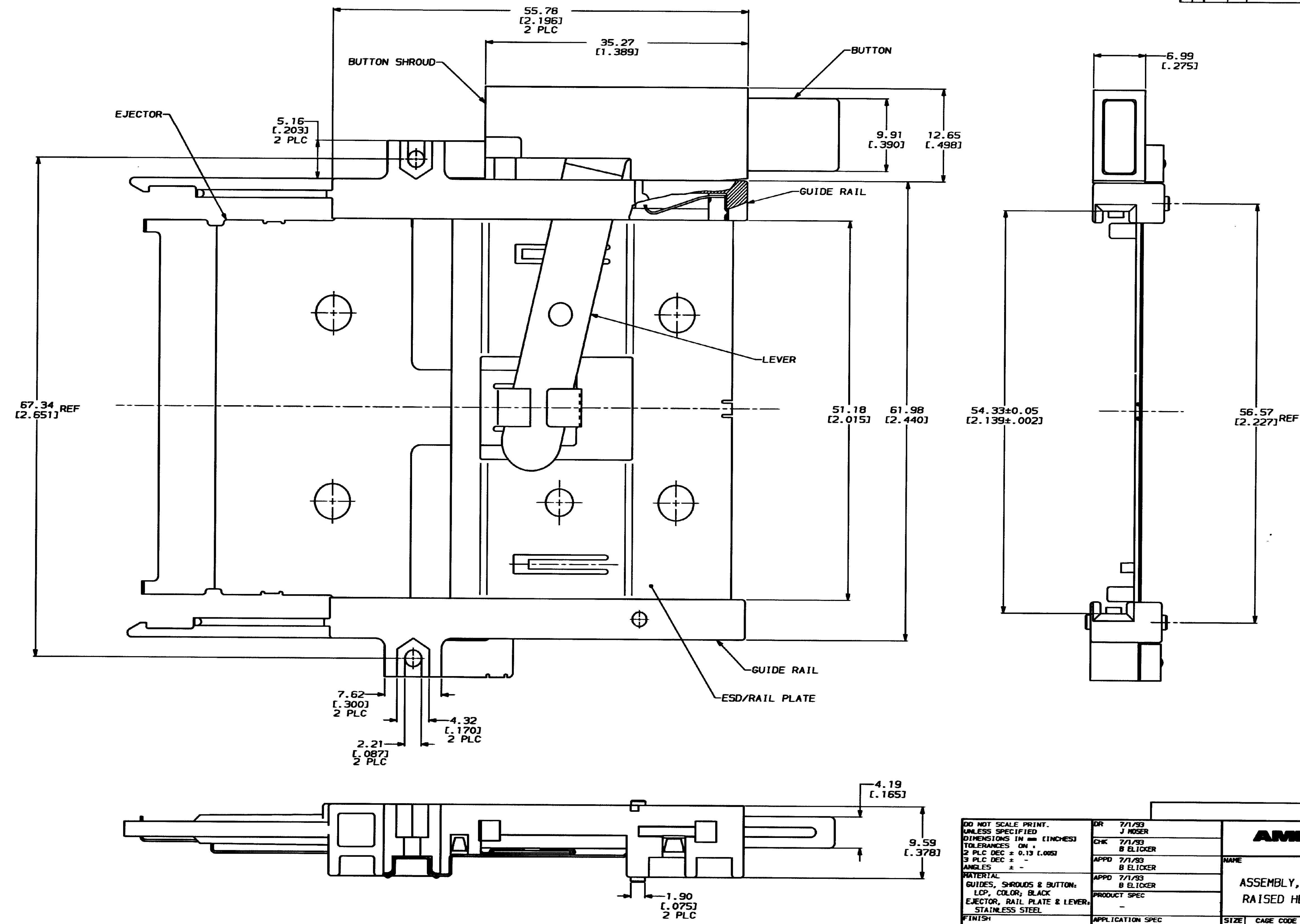


THIS DRAWING IS UNPUBLISHED. RELEASED FOR PUBLICATION BY AMP INCORPORATED. ALL INTERNATIONAL RIGHTS RESERVED. © COPYRIGHT 1979

LOC		DIST		REV		REVISIONS		DATE	APPD
AD	39								
						0	RELEASED PER PPR	7/1/93	BE



THIS DRAWING IS A CONTROLLED DOCUMENT FOR AMP INCORPORATED. IT IS SUBJECT TO CHANGE AND THE CONTROLLING ENGINEERING ORGANIZATION SHOULD BE CONTACTED FOR THE LATEST REVISION.

DO NOT SCALE PRINT. UNLESS SPECIFIED DIMENSIONS IN mm (INCHES) TOLERANCES ON + 2 PLC DEC ± 0.13 (0.005) 3 PLC DEC ± - ANGLES ± - MATERIAL GUIDES, SHROUDS & BUTTON: LCP, COLOR: BLACK EJECTOR, RAIL PLATE & LEVER: STAINLESS STEEL FINISH -	DR 7/1/93 J MOSER CHK 7/1/93 B ELICKER APPD 7/1/93 B ELICKER APPD 7/1/93 B ELICKER PRODUCT SPEC - APPLICATION SPEC - WEIGHT 18.1 GRAMS
--	--

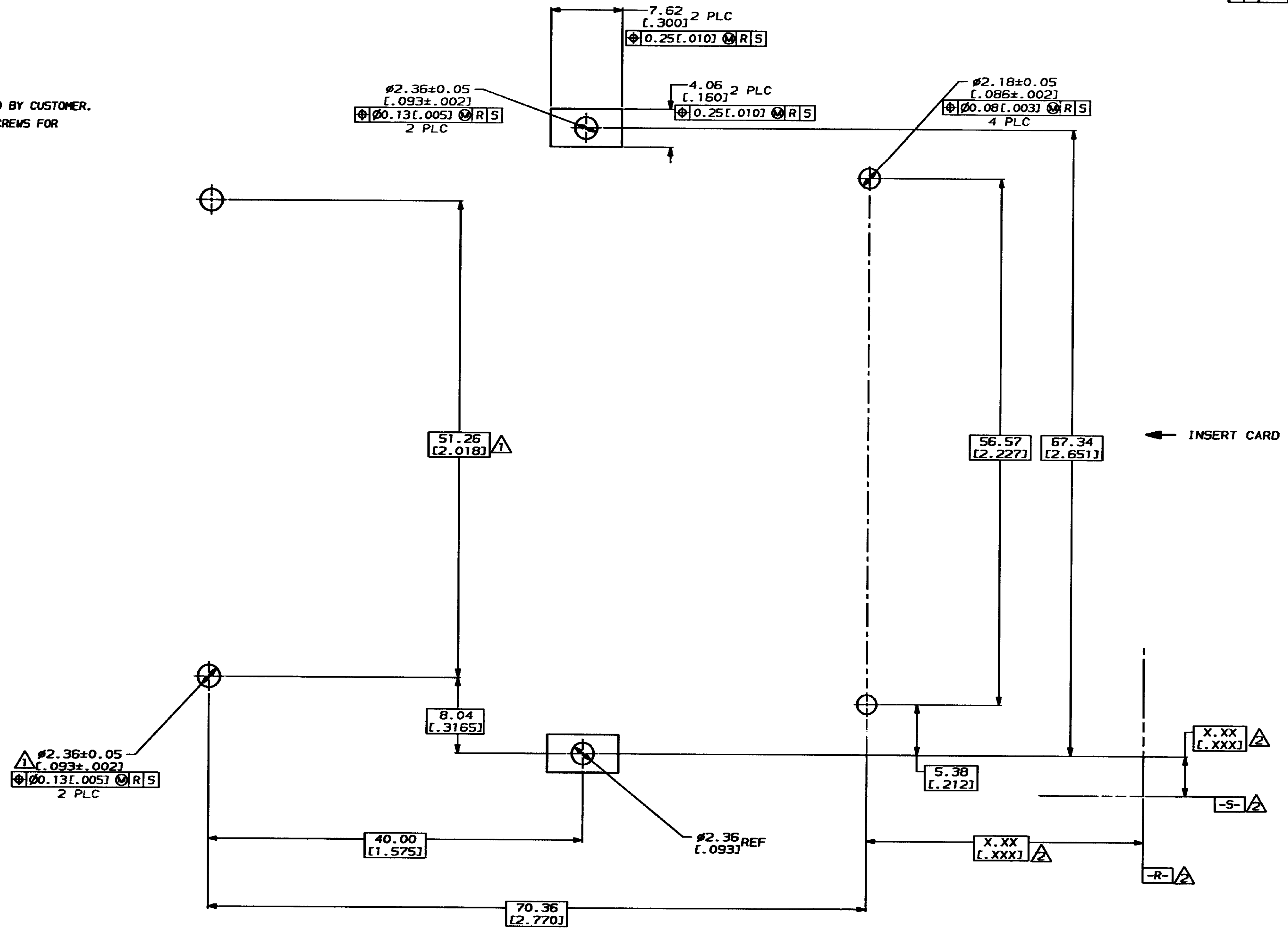
146022-1		PART NO	
AMP Incorporated Harrisburg, PA 17105-3608			
NAME ASSEMBLY, EJECTOR, RIGHT BUTTON, RAISED HEIGHT, AMP MEMORY CARD			
SIZE D	CAGE CODE 00779	DRAWING NO C-146022	
SCALE 4:1	SHEET 1 OF 2		

CUSTOMER DRAWING

THIS DRAWING IS UNPUBLISHED. RELEASED FOR PUBLICATION .19
 © COPYRIGHT 19 BY AMP INCORPORATED. ALL INTERNATIONAL RIGHTS RESERVED.

LOC		REV		REVISIONS	
AD	39	NO	DATE	DESCRIPTION	APPRO
		0		SEE SHEET ONE	

- ▲ HEADER MOUNTING HOLE LOCATIONS
- ▲ DATUMS & BASIC DIMENSIONS ESTABLISHED BY CUSTOMER.
- 3. ASSEMBLY REQUIRES USE OF 2-SIZE 2M SCREWS FOR FASTENING TO PRINTED CIRCUIT BOARD.



RECOMMENDED BOARD LAYOUT

THIS DRAWING IS A CONTROLLED DOCUMENT FOR AMP INCORPORATED. IT IS SUBJECT TO CHANGE AND THE CONTROLLING ENGINEERING ORGANIZATION SHOULD BE CONTACTED FOR THE LATEST REVISION.

DO NOT SCALE PRINT. UNLESS SPECIFIED DIMENSIONS IN mm [INCHES] TOLERANCES ON: 2 PLC DEC ± 0.13 [0.005] 3 PLC DEC ± - ANGLES ± -		DR 7/1/93 J MOSER CHK 7/1/93 B ELICKER APPD 7/1/93 B ELICKER APPD 7/1/93 B ELICKER PRODUCT SPEC - FINISH - WEIGHT -		PART NO	
AMP Incorporated Harrisburg, PA 17105-3608		NAME		ASSEMBLY, EJECTOR, RIGHT BUTTON, RAISED HEIGHT, AMP MEMORY CARD	
SIZE D	CAGE CODE 00779	DRAWING NO C-146022			
SCALE 4:1	SHEET 20F2				

CUSTOMER DRAWING

X-ON Electronics

Largest Supplier of Electrical and Electronic Components

Click to view similar products for [Memory Card Connectors](#) category:

Click to view products by [TE Connectivity](#) manufacturer:

Other Similar products are found below :

[M21-033321-005](#) [6407-249V-25273P](#) [6407-249V-25343P](#) [6426-201-21343](#) [69.920.0553.0](#) [FCN-568P068-G/07-4V](#) [809180410000000](#)
[N7E50-7516PG-20-WF](#) [HMCAP001](#) [2041353-2](#) [33CFAE-DN](#) [MI21A-50PD-SF-EJR\(91\)](#) [502431-1011](#) [EN2997S61212BN](#)
[EN2997SE61212BN](#) [NX1-32T-KT3K\(05\)](#) [95622-003LF](#) [N7E50-U516RB-50-SIN0005](#) [95079-00CALF](#) [84648-056HLF](#) [33DVIR-29S12R](#)
[125A-78C00](#) [MI20A-50PD-SF-EJL\(71\)](#) [KP10S-SF-PEJ\(812\)](#) [504536-0691](#) [504580-0691](#) [CCM03-3109 B LFT](#) [MI21-50PD-SF\(91\)](#) [2309923-](#)
[1](#) [61126-050CAHLF](#) [IC1GA-68PD-1.27DS-EJ\(72\)](#) [GTFP08432B1HR](#) [G85DT17001P1EU](#) [G85B21611142HHR](#) [GSD090144HR](#)
[G85D1140022P1HR](#) [GMCB05801124EU](#) [G85C11101152HHR](#) [G85B231021B1HR](#) [G85D1160022HHR](#) [055036006202862+](#) [112K-TAA0-](#)
[RA1](#) [115S-ACA2](#) [115S-ACA3](#) [115S-BS00](#) [115S-BT00](#) [115V-AD00](#) [MCSP-Q1-08-A-SG-T/R](#) [503960-0695](#) [101B-TAA0-R](#)