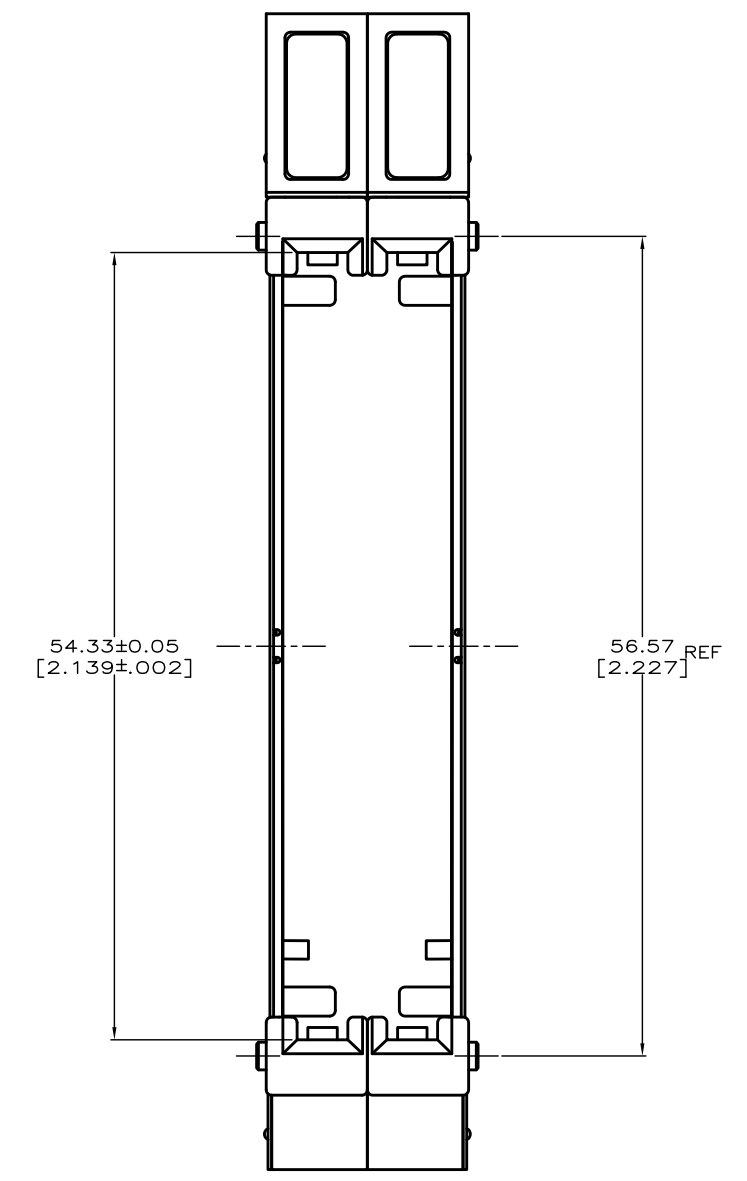
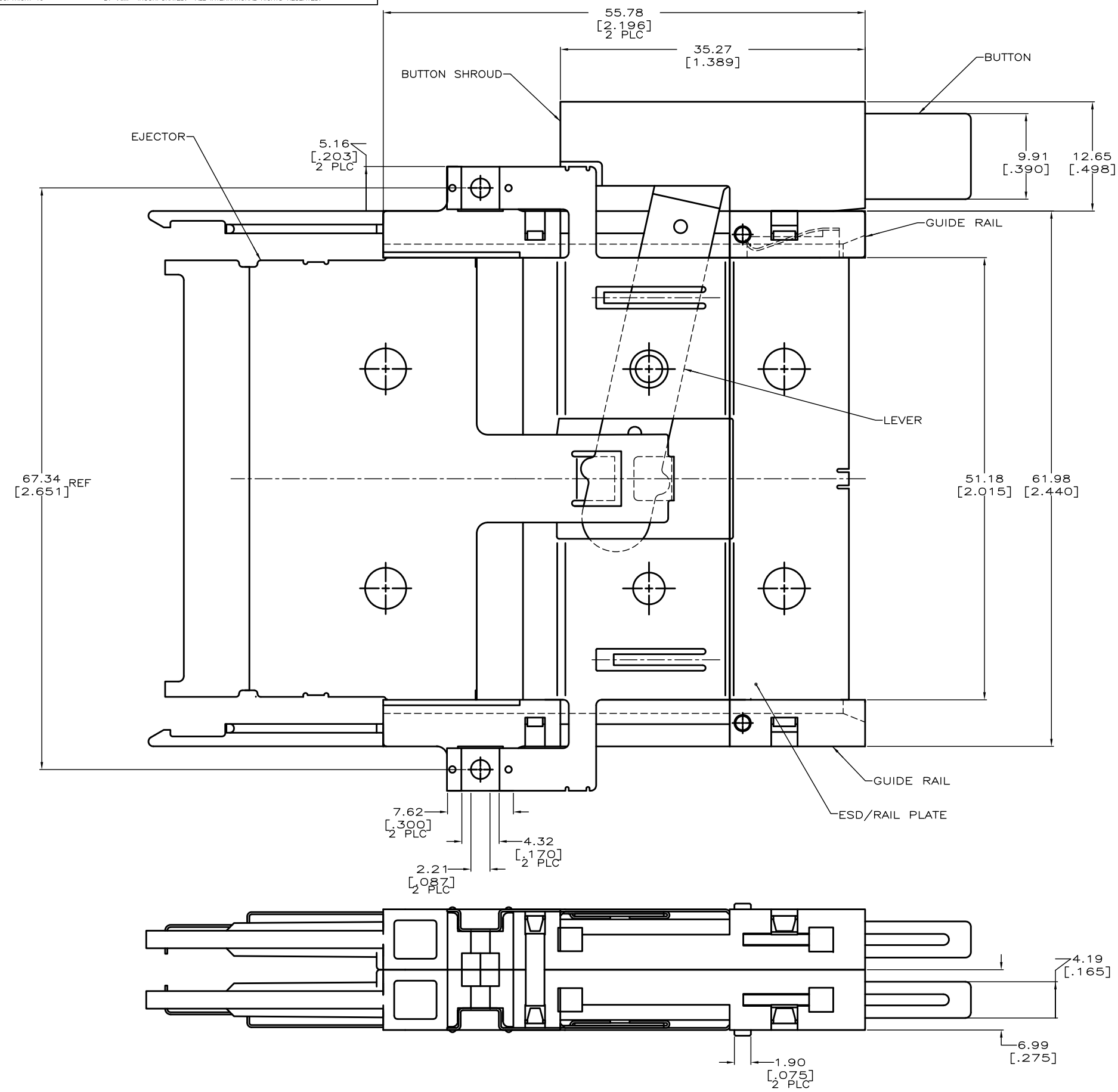


DRAWING MADE IN THIRD ANGLE PROJECTION
 THIS DRAWING IS UNPUBLISHED. RELEASED FOR PUBLICATION
 © COPYRIGHT 19 BY AMP INCORPORATED. ALL INTERNATIONAL RIGHTS RESERVED.

LOC		DIST		ZONE		LTR		REVISIONS		DATE	APPD
AD	39							A1	REVISED (ECR-13-013920)	9/6/2013	CW



146036-1
 PART NO

DO NOT SCALE PRINT. UNLESS SPECIFIED. DIMENSIONS IN mm [INCHES] TOLERANCES ON : 2 PLC DEC ± 0.13 [.005] 3 PLC DEC ± - ANGLES ± -	DR 9/9/93 J MOSER CHK 9/9/93 B ELICKER APPD 9/9/93 B ELICKER	NAME	TE Connectivity		
MATERIAL GUIDES, SHROUDS & BUTTON: LCP, COLOR: BLACK EJECTOR, RAIL PLATE & LEVER: STAINLESS STEEL	APPD 9/9/93 B ELICKER PRODUCT SPEC	ASSEMBLY, STACKED EJECTORS, SAME SIDE BUTTONS, AMP MEMORY CARD			
FINISH -	APPLICATION SPEC -	SIZE D	CAGE CODE 00779	DRAWING NO C-146036	
	WEIGHT 34.2 GRAMS	SCALE 4:1	SHEET 10F 2		

THIS DRAWING IS A CONTROLLED DOCUMENT FOR AMP INCORPORATED. IT IS SUBJECT TO CHANGE AND THE CONTROLLING ENGINEERING ORGANIZATION SHOULD BE CONTACTED FOR THE LATEST REVISION.

CUSTOMER DRAWING

X-ON Electronics

Largest Supplier of Electrical and Electronic Components

Click to view similar products for [Memory Card Connectors](#) category:

Click to view products by [TE Connectivity](#) manufacturer:

Other Similar products are found below :

[M21-033321-005](#) [6407-249V-25273P](#) [6407-249V-25343P](#) [6426-201-21343](#) [69.920.0553.0](#) [FCN-568P068-G/07-4V](#) [809180410000000](#)
[N7E50-7516PG-20-WF](#) [HMCAP001](#) [2041353-2](#) [33CFAE-DN](#) [MI21A-50PD-SF-EJR\(91\)](#) [502431-1011](#) [EN2997S61212BN](#)
[EN2997SE61212BN](#) [NX1-32T-KT3K\(05\)](#) [95622-003LF](#) [N7E50-U516RB-50-SIN0005](#) [95079-00CALF](#) [84648-056HLF](#) [33DVIR-29S12R](#)
[125A-78C00](#) [MI20A-50PD-SF-EJL\(71\)](#) [KP10S-SF-PEJ\(812\)](#) [504536-0691](#) [504580-0691](#) [CCM03-3109 B LFT](#) [MI21-50PD-SF\(91\)](#) [2309923-](#)
[1](#) [61126-050CAHLF](#) [IC1GA-68PD-1.27DS-EJ\(72\)](#) [GTFP08432B1HR](#) [G85DT17001P1EU](#) [G85B21611142HHR](#) [GSD090144HR](#)
[G85D1140022P1HR](#) [GMCB05801124EU](#) [G85C11101152HHR](#) [G85B231021B1HR](#) [G85D1160022HHR](#) [055036006202862+](#) [112K-TAA0-](#)
[RA1](#) [115S-ACA2](#) [115S-ACA3](#) [115S-BS00](#) [115S-BT00](#) [115V-AD00](#) [MCSP-Q1-08-A-SG-T/R](#) [503960-0695](#) [101B-TAA0-R](#)