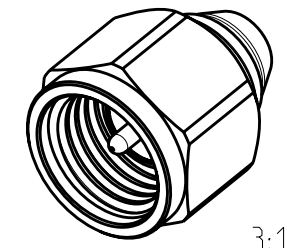
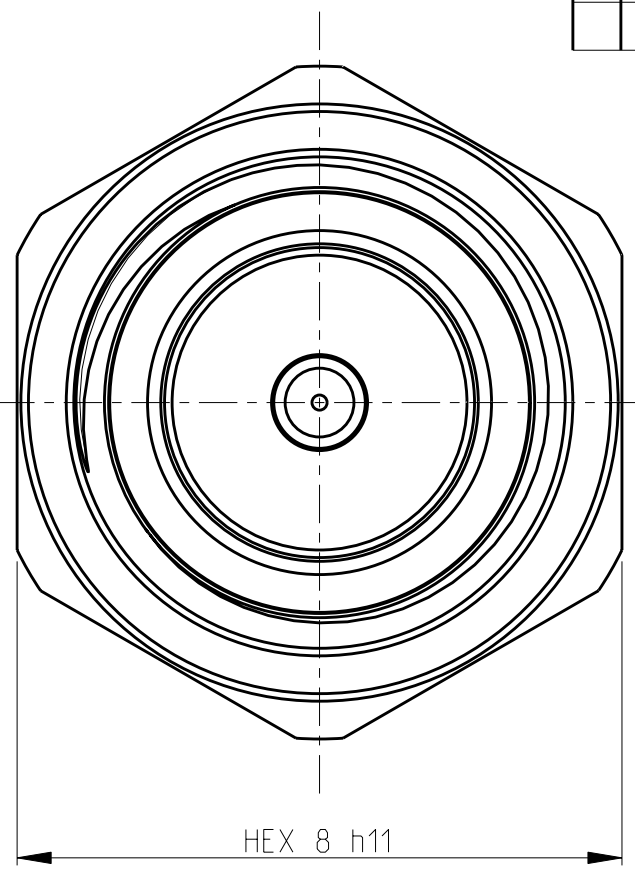
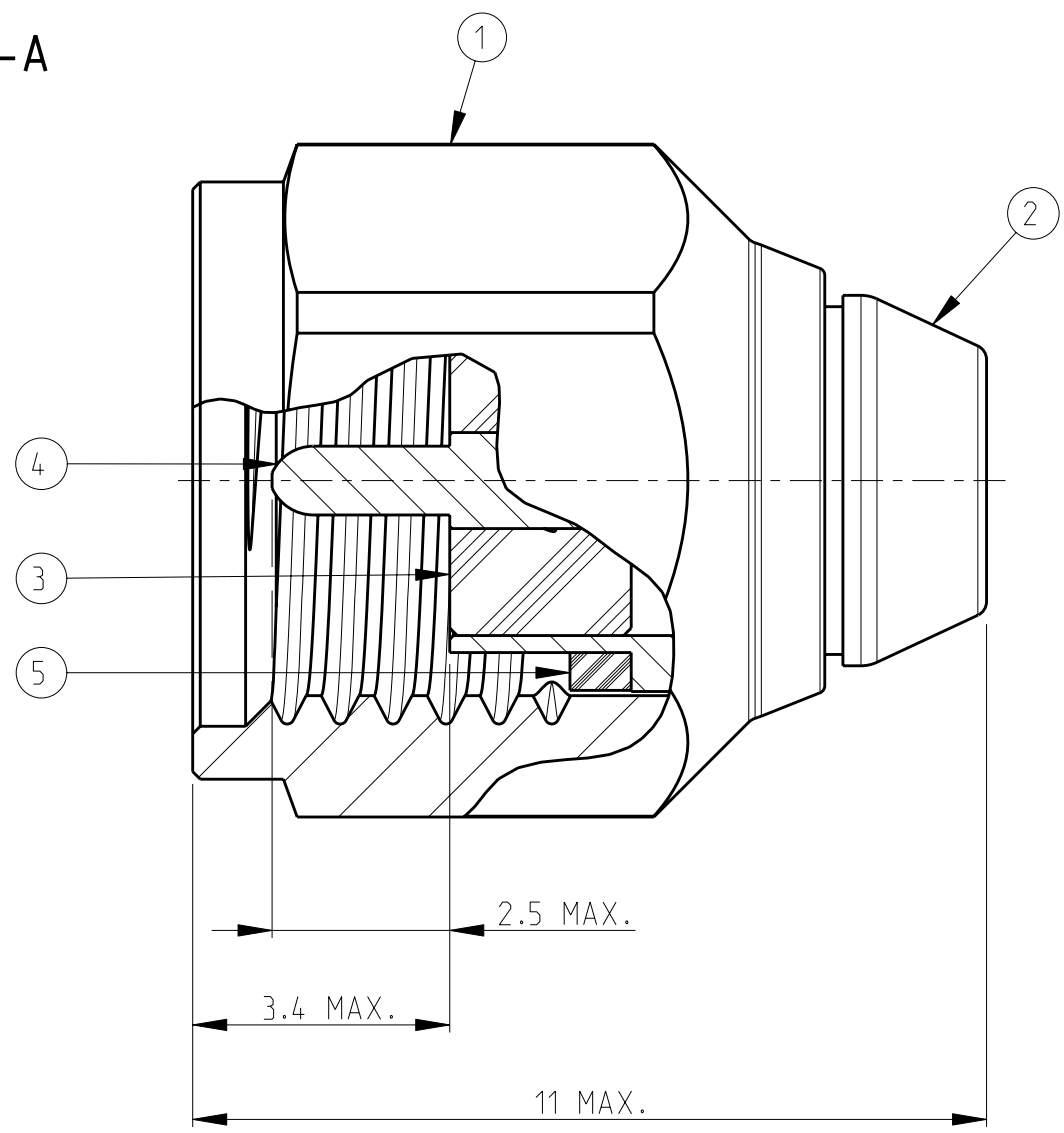


THIS DRAWING IS UNPUBLISHED. RELEASED FOR PUBLICATION 2005
 © COPYRIGHT 2005 BY TYCO ELECTRONICS CORPORATION. ALL RIGHTS RESERVED.

LOC	DIST	REVISIONS					
IS	-	P	LTR	DESCRIPTION	DATE	DWN	APVD
			A	Released to production	23JAN2006	RLU	DB
			B	Add. 50 Ohm ident mark, changed packaging Q.ty	17FEB2006	RLU	DB
			C	Updated min. Au thickness (note 4 was 0.2µm)	15MAR07	AN	DB
			D	Obsolete PN	24JUL2008	MS	DB

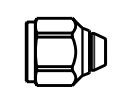
A-A



5-1460802-1 △3	1460802-1 △2	5	1	GASKET	SILICONE	
		4	1	CENTER CONDUCTOR	Brass	min. 0.1µm Au over min 2µm NiP
		3	1	DIELECTRIC	PTFE	
		2	1	Outer contact	Brass	min. 0.1µm Au over min 2µm NiP
		1	1	COUPLING NUT	Brass	min. 0.1µm Au over min 2µm NiP
PART NR	PART NR	ITEM NR	PIECES	DESCRIPTION	MATERIAL	PLATING

1 - COAX CONNECTOR COMPLIES WITH SPEC. CECC 22110, IEC 169-15

- △2 ONE PLUG PACKED IN PLASTIC BAG
- △3 BULK PACKAGING.
- △4 General Tolerances according to DIN ISO 2768-mH



1:1

THIS DRAWING IS A CONTROLLED DOCUMENT FOR TYCO ELECTRONICS CORPORATION. IT IS SUBJECT TO CHANGE AND THE CONTROLLING ENGINEERING ORGANIZATION SHOULD BE CONTACTED FOR THE LATEST REVISION.

DWN R. Luppì	28JAN2005	Tyco Electronics Switzerland - Lugano	NAME SMA, PLUG TERMINATOR CHARACTERISTIC IMPEDENCE 50 Ohm
CHK D. Bozzer	28JAN2005		
APVD -	-	PRODUCT SPEC 108-71066	SIZE A3
MATERIAL -	FINISH -	APPLICATION SPEC -	CAGE CODE 00779
		WEIGHT 2.4 gr	DRAWING NO C-1460802
CUSTOMER DRAWING		SCALE 10:1	RESTRICTED TO -
		SHEET 1	OF 1
		REV D	

X-ON Electronics

Largest Supplier of Electrical and Electronic Components

Click to view similar products for [RF Terminators](#) category:

Click to view products by [TE Connectivity](#) manufacturer:

Other Similar products are found below :

[M39030/3-09S](#) [9620-9003-151](#) [R404105000](#) [M39030/3-01S](#) [M39030/3-04N](#) [M39030/3-11N](#) [M39030/3-11S](#) [TNA2-50](#) [R404280000](#)
[R4042N5000](#) [32S17B-1.0E3](#) [28S1ER-001N5](#) [NF-C-1\(40\)](#) [53S1RR-001N3](#) [142275](#) [56S1RR-001N4](#) [18S15R-0.5E3](#) [32K17R-001E3](#)
[65_BNC-50-0-7/133_NE](#) [71S1RR-001N4](#) [02S17R-001D3](#) [6500.19.A](#) [R404240120](#) [HT-50-1\(40\)](#) [NF-A-PJ-1\(40\)](#) [R404260000](#) [NF-TMJ-](#)
[P\(50\)](#) [HT-10-2](#) [000-1075](#) [DCA-17-01](#) [27-9245](#) [M85049/124-13N](#) [R4041D1000](#) [1-221629-6](#) [SF8015-6007](#) [R4041D2121](#) [R4041D2000](#)
[R4041D1121](#) [65_TNC-50-0-5/133_NE](#) [65010_N-50-1/199_NE](#) [65_N-75-0-11/133_NE](#) [6550.17.AA](#) [65_N-50-0-51/113_NE](#) [65_BNC-50-0-](#)
[2/133_NE](#) [6560.41.AA](#) [65_QMA-50-0-4/111_NE](#) [65_N-50-0-1/133_NE](#) [65002_N-50-1/122_NE](#) [65_MMCX-50-0-31/111_OE](#) [65_SMB-50-](#)
[0-31/111_NE](#)