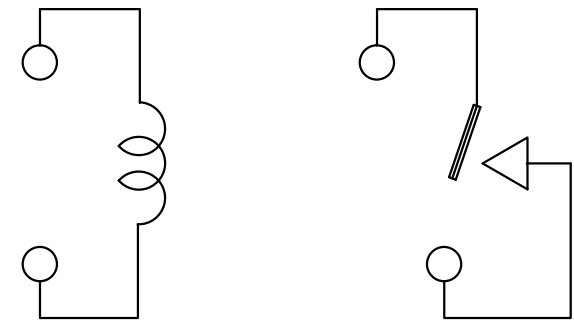
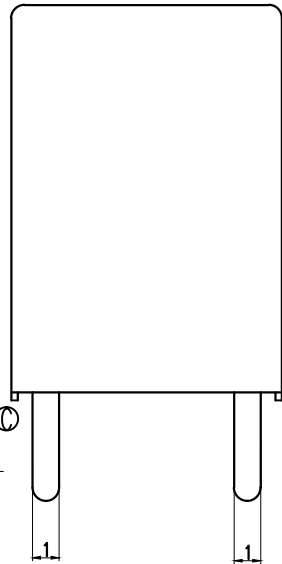
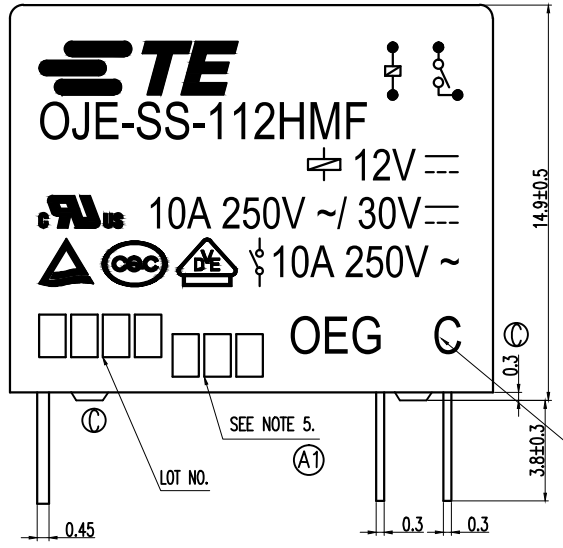
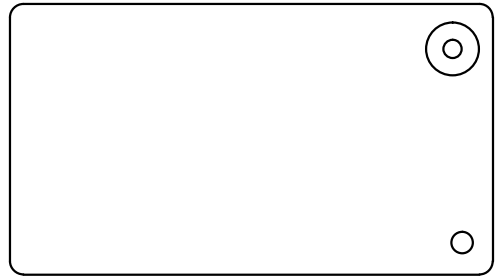


THIS DRAWING IS UNPUBLISHED. RELEASED FOR PUBLICATION

© COPYRIGHT By - ALL RIGHTS RESERVED.

LOC	DIST	REVISIONS				
P	LTR	DESCRIPTION	DATE	D/WN	APVD	
HB	-	C	REMOVED THE RIB ON THE BASE TO CASE ECO-15-011310	3Nov2015	HYS	CHL



CONNECTION FIGURE

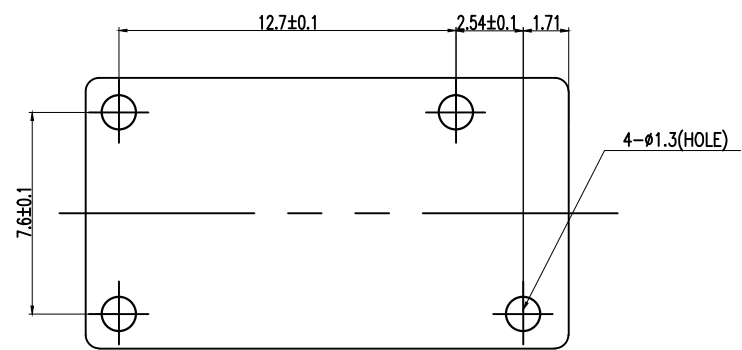
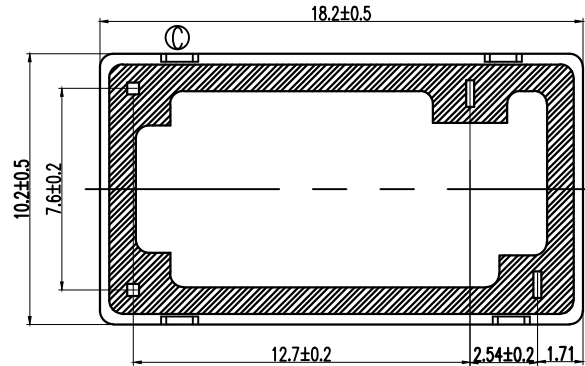


FIGURE FOR PRINTED CIRCUIT BOARD PROCESSING (BOTTOM VIEW)

Diagram dimension	Tolerance
0.99mm max.	±0.1mm
1 - 2.99mm	±0.2mm
3mm min.	±0.3mm



THIS DRAWING IS A CONTROLLED DOCUMENT.		DWN Huang.Yunshou	TE Connectivity			
DIMENSIONS: mm		CHK Yu.Banghua				NAME -
TOLERANCES UNLESS OTHERWISE SPECIFIED:		APVD Zhang Sunny	PRODUCT SPEC -			
0 PLC ± - 1 PLC ± - 2 PLC ± - 3 PLC ± - 4 PLC ± - ANGLES ± -		APPLICATION SPEC -	APPLICATION SPEC -			
MATERIAL	FINISH	WEIGHT -	SIZE A3	CAGE CODE 00779	DRAWING NO C=1461078	RESTRICTED TO -
CUSTOMER DRAWING			SCALE 5:1	SHEET 1 OF 2	REV C	

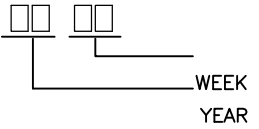
THIS DRAWING IS UNPUBLISHED. RELEASED FOR PUBLICATION

© COPYRIGHT - By - ALL RIGHTS RESERVED.

LOC	DIST	REVISIONS					
HB	-	P	LTR	DESCRIPTION	DATE	DWN	APVD
		-		SEE SHEET 1	-	-	-

107-79010	1461078-5	OJE-SS-112HMF	α
PACKAGE SPEC.	TE PART NO	TE TYPE NAME	ITEM

NOTE:
1.LOT NO.SYSTEM AS FOLLOWING:



- Ⓐ 2.TERMINAL DIMENSION IS BEFORE SOLDER DIP.
- Ⓐ 3.FOR THE TIN-PLATING OF THE PINS:
+0.1mm FOR WIDTH,THICKNESS AND DIAMETER.
+0.5mm FOR LENGTH.
- Ⓐ 4.MARKING FROM INK TO LASER
Ⓑ AND USING WELDED CONTACT

- Ⓐ 6.ADD LOT NO. SYSTEM AS FOLLOWING;
I, DIGITS FOR DAY OF THE WEEK
1...MONDAY IN THIS WEEK;
2...TUESDAY IN THIS WEEK;
.....
7...SUNDAY IN THIS WEEK
II, DIGITS FOR SHIFT OF THE DAY
1...DAY SHIFT IN THIS DAY;
2...NIGHT SHIFT IN THIS DAY;
III, ONE CHARACTER DISTINGUISH THE LINE IDENTITY, SUCH AS:
A,B.....Z

		EPOXY RESIN	SEAL (BASE & BOBBIN)	15
		MM79	MAGNETIC WIRE	14
94V-0		P.B.T	CASE	13
94V-0		P.B.T	BASE	12
94VHB		NYRON	BOBBIN	11
	SOLDER DIP	C.P WIRE	COIL TERMINAL	10
94V-0		P.P.S	CARD	9
		Ag ALLOY	MOVABLE CONTACT	8
		Ag	NO.CONTACT	7
		STEEL	HINGE SPRING	6
	SOLDER DIP	CU ALLOY	NO.TERMINAL	5
	SOLDER DIP	CU ALLOY	MOVABLE SPRING	4
	NIP	STEEL	CORE	3
	NIP	STEEL	ARMATURE	2
	NIP	STEEL	YOKE	1
INCOMBUSTIBILITY	TREATMENT	MATERIAL	DESCRIPTION	ITEM

THIS DRAWING IS A CONTROLLED DOCUMENT.		DWN Huang.Yunshou	TE Connectivity				
DIMENSIONS: mm		CHK Yu.Banghua					
TOLERANCES UNLESS OTHERWISE SPECIFIED:		APVD Zhang Sunny	NAME -				
		PRODUCT SPEC -	OJ-HMF CUSTOMER DRAWING				
MATERIAL		APPLICATION SPEC -	SIZE A3	CAGE CODE 00779	DRAWING NO C=1461078	RESTRICTED TO -	
FINISH		WEIGHT -	CUSTOMER DRAWING		SCALE 5:1	SHEET 2 OF 2	REV C

X-ON Electronics

Largest Supplier of Electrical and Electronic Components

Click to view similar products for [General Purpose Relays](#) category:

Click to view products by [TE Connectivity](#) manufacturer:

Other Similar products are found below :

[APF30318](#) [JVN1AF-4.5V-F](#) [PCN-105D3MHZ](#) [5JO-10000S-SIL](#) [5JO-1000CD-SIL](#) [5JO-400CD-SIL](#) [LY2S-AC220/240](#) [LYQ20DC12](#)
[6031007G](#) [6131406HQ](#) [6-1393099-3](#) [6-1393099-8](#) [6-1393122-4](#) [6-1393123-2](#) [6-1393767-1](#) [6-1393843-7](#) [6-1415012-1](#) [6-1419102-2](#) [6-](#)
[1423698-4](#) [6-1608051-6](#) [6-1608067-0](#) [6-1616170-6](#) [6-1616248-2](#) [6-1616282-3](#) [6-1616348-2](#) [6-1616350-1](#) [6-1616350-8](#) [6-1616358-7](#) [6-](#)
[1616359-9](#) [6-1616360-9](#) [6-1616931-6](#) [6-1617039-1](#) [6-1617052-1](#) [6-1617090-2](#) [6-1617090-5](#) [6-1617347-5](#) [6-1617353-3](#) [6-1617801-8](#) [6-](#)
[1617802-2](#) [6-1618107-9](#) [6-1618248-4](#) [M83536/1-027M](#) [CX-4014](#) [MAHC-5494](#) [MAVCD-5419-6](#) [703XCX-120A](#) [7-1393100-5](#) [7-1393111-7](#)
[7-1393144-5](#) [7-1393767-8](#)