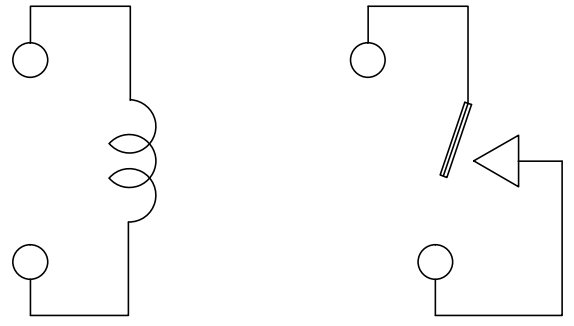
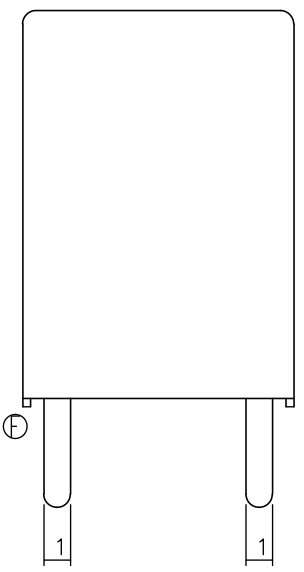
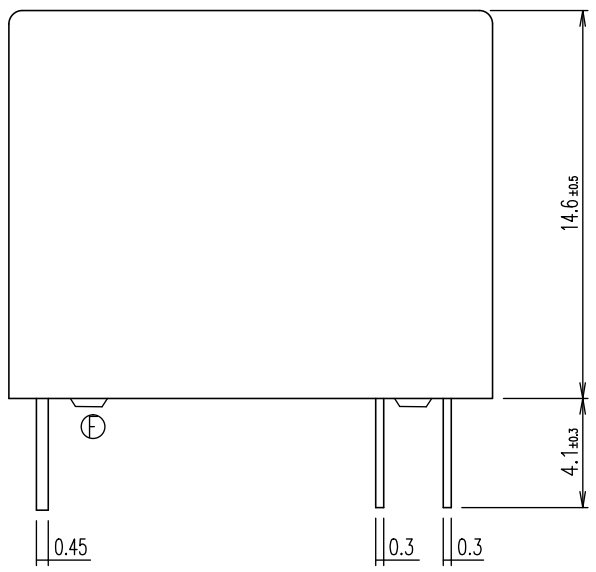
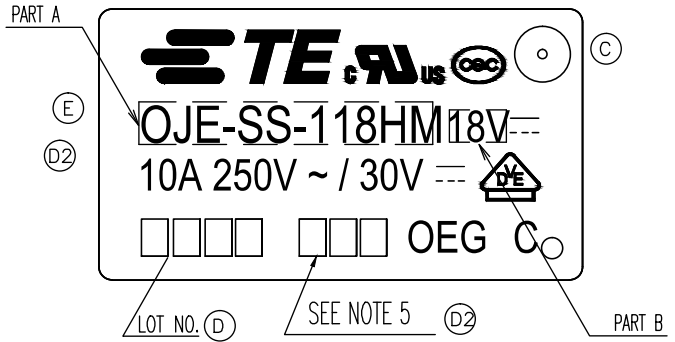


THIS DRAWING IS UNPUBLISHED. RELEASED FOR PUBLICATION

COPYRIGHT By TE CONNECTIVITY ALL RIGHTS RESERVED.

| LOC | DIST | REVISIONS   |   |           |      |     |
|-----|------|-------------|---|-----------|------|-----|
| P   | LTR  | DESCRIPTION | DATE  | DWN       | APVD |     |
| HB  | -    | F           | REMOVED THE RIB ON THE BASE TO CASE ECO-15-011310 | 03Nov2015 | YS.H | CHL |



CONNECTION FIGURE

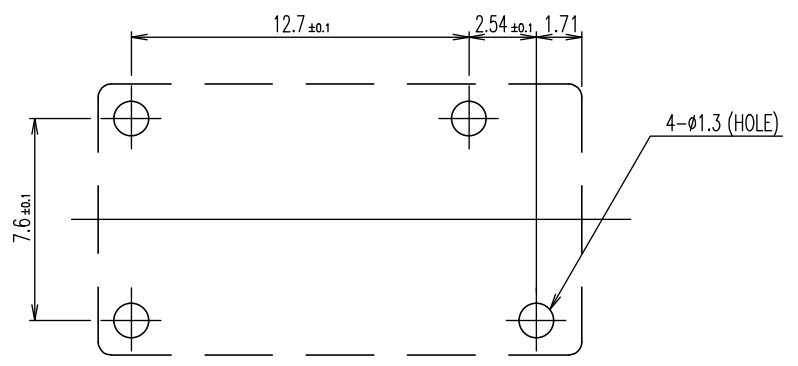
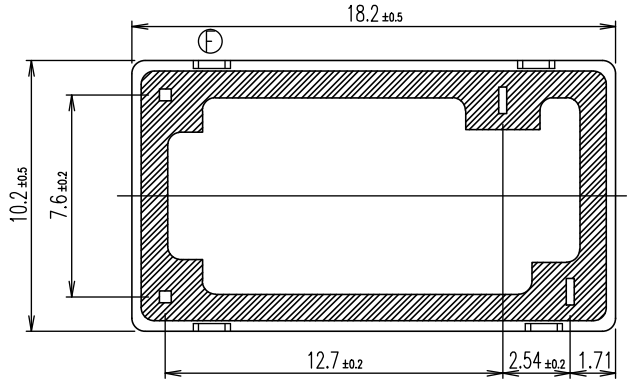


FIGURE FOR PRINTED CIRCUIT BOARD PROCESSING (BOTTOM VIEW)

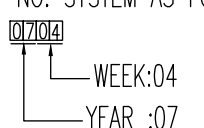


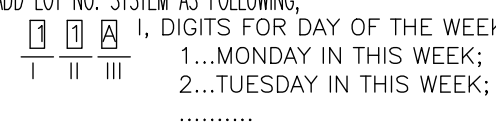
|  |        |                  |                                     |         |                           |  |  |
|--|--------|------------------|-------------------------------------|---------|---------------------------|--|--|
| THIS DRAWING IS A CONTROLLED DOCUMENT. |        | DWN              | H.Sasaki                            | -       | <b>TE</b> TE Connectivity |  |  |
| DIMENSIONS: mm                         |        | CHK              | Y.Oikawa                            | -       |                           |  |  |
| TOLERANCES UNLESS OTHERWISE SPECIFIED: |        | APVD             | A.Nagai                             | -       | NAME                      |  |  |
| 0 PLC                                  | ± -    | PRODUCT SPEC     | OJE-SS-HM SPEC,000 CUSTOMER DRAWING |         |                           |  |  |
| 1 PLC                                  | ± -    | APPLICATION SPEC | -                                   |         |                           |  |  |
| 2 PLC                                  | ± -    | WEIGHT           | -                                   |         |                           |  |  |
| 3 PLC                                  | ± -    | SIZE             |                                     | A3      | RESTRICTED TO             |  |  |
| 4 PLC                                  | ± -    | CAGE CODE        |                                     | 00779   | -                         |  |  |
| ANGLES                                 | ± -    | DRAWING NO       |                                     | 1461103 | -                         |  |  |
| MATERIAL                               | FINISH | SCALE            |                                     | 5:1     | SHEET 1 OF 2              |  |  |
| -                                      |        | REV              |                                     | F       | -                         |  |  |

THIS DRAWING IS UNPUBLISHED. RELEASED FOR PUBLICATION  
 © COPYRIGHT By- TE CONNECTIVITY ALL RIGHTS RESERVED.

| LOC | DIST | REVISIONS |     |             |      |     |      |
|-----|------|-----------|-----|-------------|------|-----|------|
| HB  | -    | P         | LTR | DESCRIPTION | DATE | DWN | APVD |
|     |      | -         | -   | SEE SHEET 1 | -    | -   | -    |



| 1461103-3   | OJE-SS-148HM, 000 | 48V    | OJE-SS-148HM | h    |
|-------------|-------------------|--------|--------------|------|
| 6-1419128-4 | OJE-SS-124HM, 000 | 24V    | OJE-SS-124HM | g    |
| 1461103-2   | OJE-SS-118HM, 000 | 18V    | OJE-SS-118HM | f    |
| 4-1419128-3 | OJE-SS-112HM, 000 | 12V    | OJE-SS-112HM | e    |
| 3-1419128-5 | OJE-SS-109HM, 000 | 9V     | OJE-SS-109HM | d    |
| 3-1419128-2 | OJE-SS-106HM, 000 | 6V     | OJE-SS-106HM | c    |
| 2-1419128-9 | OJE-SS-105HM, 000 | 5V     | OJE-SS-105HM | b    |
| 1461103-1   | OJE-SS-103HM, 000 | 3V     | OJE-SS-103HM | a    |
| PART NO     | DESCRIPTION       | PART B | PART A       | TYPE |

ⓓ Ⓞ NOTES:  
 1.LOT NO. SYSTEM AS FOLLOWING:  


ⓓ 5.ADD LOT NO. SYSTEM AS FOLLOWING;  
  
 I, DIGITS FOR DAY OF THE WEEK  
 1...MONDAY IN THIS WEEK;  
 2...TUESDAY IN THIS WEEK;  
 .....  
 7...SUNDAY IN THIS WEEK  
 II, DIGITS FOR SHIFT OF THE DAY  
 1...DAY SHIFT IN THIS DAY;  
 2...NIGHT SHIFT IN THIS DAY;  
 III, ONE CHARACTER DISTINGUISH THE LINE IDENTITY,  
 SUCH AS: A,B.....Z

ⓓ 2.TERMINAL DIMENSION IS BEFORE SOLDER DIP;  
 ⓓ 3.FOR THE TIN-PLATING OF THE PINS:  
 +0.1mm FOR WIDTH,THICKENSS AND DIAMETER.  
 +0.5mm FOR LENGTH.  
 ⓓ 4.MARKING FROM INK TO LASER AND USING WELDED CONTACT

|                  |            | EPOXY RESIN | SEAL (BASE & BOBBIN) | 15   |
|------------------|------------|-------------|----------------------|------|
|                  |            | JUEW        | MAGNETIC WIRE        | 14   |
| 94V-0            |            | P.B.T       | CASE                 | 13   |
| 94V-0            |            | P.B.T       | BASE                 | 12   |
| 94V-0            |            | P.B.T       | BOBBIN               | 11   |
|                  | SOLDER DIP | C.P WIRE    | COIL TERMINAL        | 10   |
| 94V-0            |            |             | CARD                 | 9    |
|                  |            | Ag ALLOY    | MOVABLE CONTACT      | 8    |
|                  |            | Ag          | NO.CONTACT           | 7    |
|                  |            | STEEL       | HINGE SPRING         | 6    |
|                  | SOLDER DIP | PBP         | NO.TERMINAL          | 5    |
|                  | SOLDER DIP | Cu ALLOY    | MOVABLE SPRING       | 4    |
|                  | NIP        | STEEL       | CORE                 | 3    |
|                  | NIP        | STEEL       | ARMATURE             | 2    |
|                  | NIP        | STEEL       | YOKE                 | 1    |
| INCOMBUSTIBILITY | TREATMENT  | MATERIAL    | DESCRIPTION          | ITEM |

|   |  |                  |          |   |   |           |            |               |
|---|--|------------------|----------|---|---|-----------|------------|---------------|
| THIS DRAWING IS A CONTROLLED DOCUMENT.  |  | DWN              | H.Sasaki | - |  TE Connectivity |           |            |               |
| DIMENSIONS:<br>mm   |  | CHK              | Y.Oikawa | - |   |           |            |               |
|  |  | APVD             | A.Nagai  | - | NAME  |           |            |               |
| TOLERANCES UNLESS OTHERWISE SPECIFIED:  |  | PRODUCT SPEC     |          | - | OJE-SS-HM SPEC,000 CUSTOMER DRAWING   |           |            |               |
| 0 PLC ± -   |  | APPLICATION SPEC |          | - | SIZE  | CAGE CODE | DRAWING NO | RESTRICTED TO |
| 1 PLC ± -   |  | WEIGHT           |          | - | A3  | 00779     | Ⓒ= 1461103 | -             |
| 2 PLC ± -   |  | CUSTOMER DRAWING |          | - | SCALE   | SHEET     | OF         | REV           |
| 3 PLC ± -   |  |                  |          | - | 5:1   | 2         | 2          | F             |
| 4 PLC ± -   |  |                  |          | - |   |           |            |               |
| ANGLES ± -  |  |                  |          | - |   |           |            |               |
| FINISH  |  |                  |          | - |   |           |            |               |

## X-ON Electronics

Largest Supplier of Electrical and Electronic Components

*Click to view similar products for [General Purpose Relays](#) category:*

*Click to view products by [TE Connectivity](#) manufacturer:*

Other Similar products are found below :

[APF30318](#) [JVN1AF-4.5V-F](#) [PCN-105D3MHZ](#) [5JO-10000S-SIL](#) [5JO-1000CD-SIL](#) [5JO-400CD-SIL](#) [LY2S-AC220/240](#) [LYQ20DC12](#)  
[6031007G](#) [6131406HQ](#) [6-1393099-8](#) [6-1393122-4](#) [6-1393123-2](#) [6-1393767-1](#) [6-1393843-7](#) [6-1415012-1](#) [6-1419102-2](#) [6-1423698-4](#) [6-](#)  
[1608051-6](#) [6-1608067-0](#) [6-1616170-6](#) [6-1616248-2](#) [6-1616282-3](#) [6-1616348-2](#) [6-1616349-9](#) [6-1616350-1](#) [6-1616350-8](#) [6-1616358-7](#) [6-](#)  
[1616359-9](#) [6-1616360-9](#) [6-1616931-6](#) [6-1617039-1](#) [6-1617052-1](#) [6-1617090-2](#) [6-1617090-5](#) [6-1617347-5](#) [6-1617353-3](#) [6-1617801-8](#) [6-](#)  
[1618107-9](#) [6-1618248-4](#) [CX-4014](#) [MAHC-5494](#) [MAVCD-5419-6](#) [703XCX-120A](#) [7-1393100-5](#) [7-1393111-7](#) [7-1393767-8](#) [7-1414968-8](#) [7-](#)  
[1419130-3](#) [7-1608047-2](#)