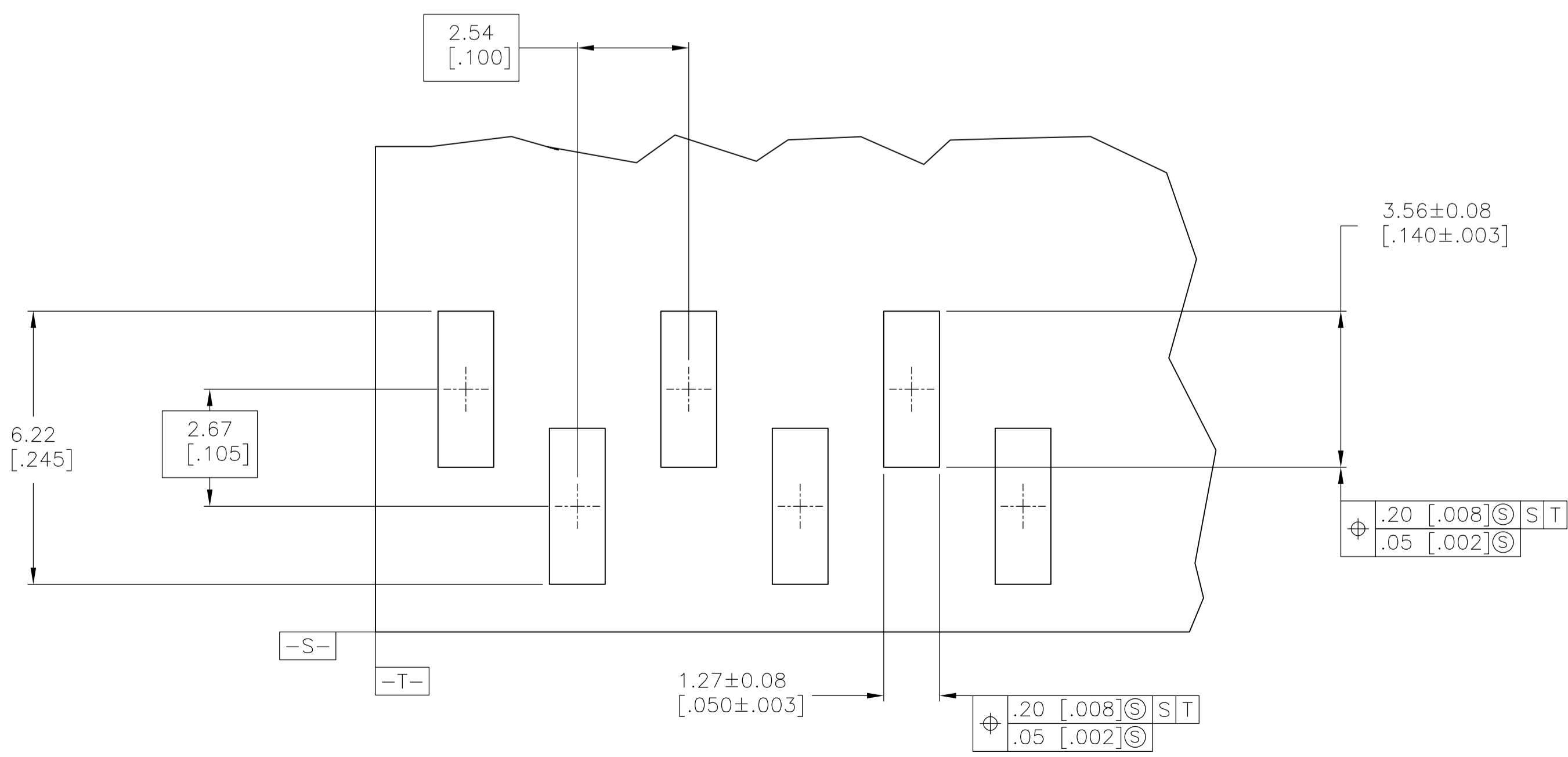
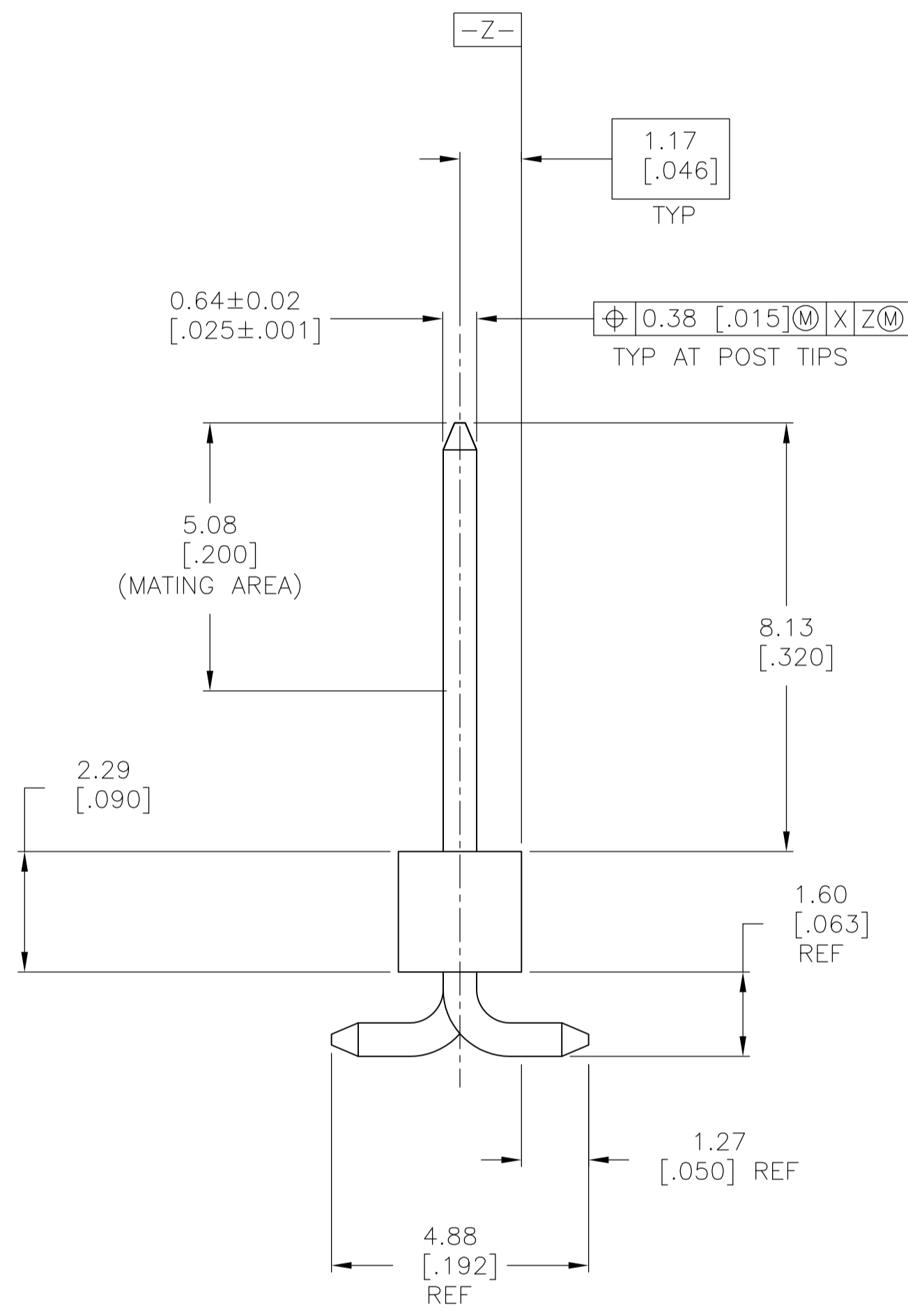
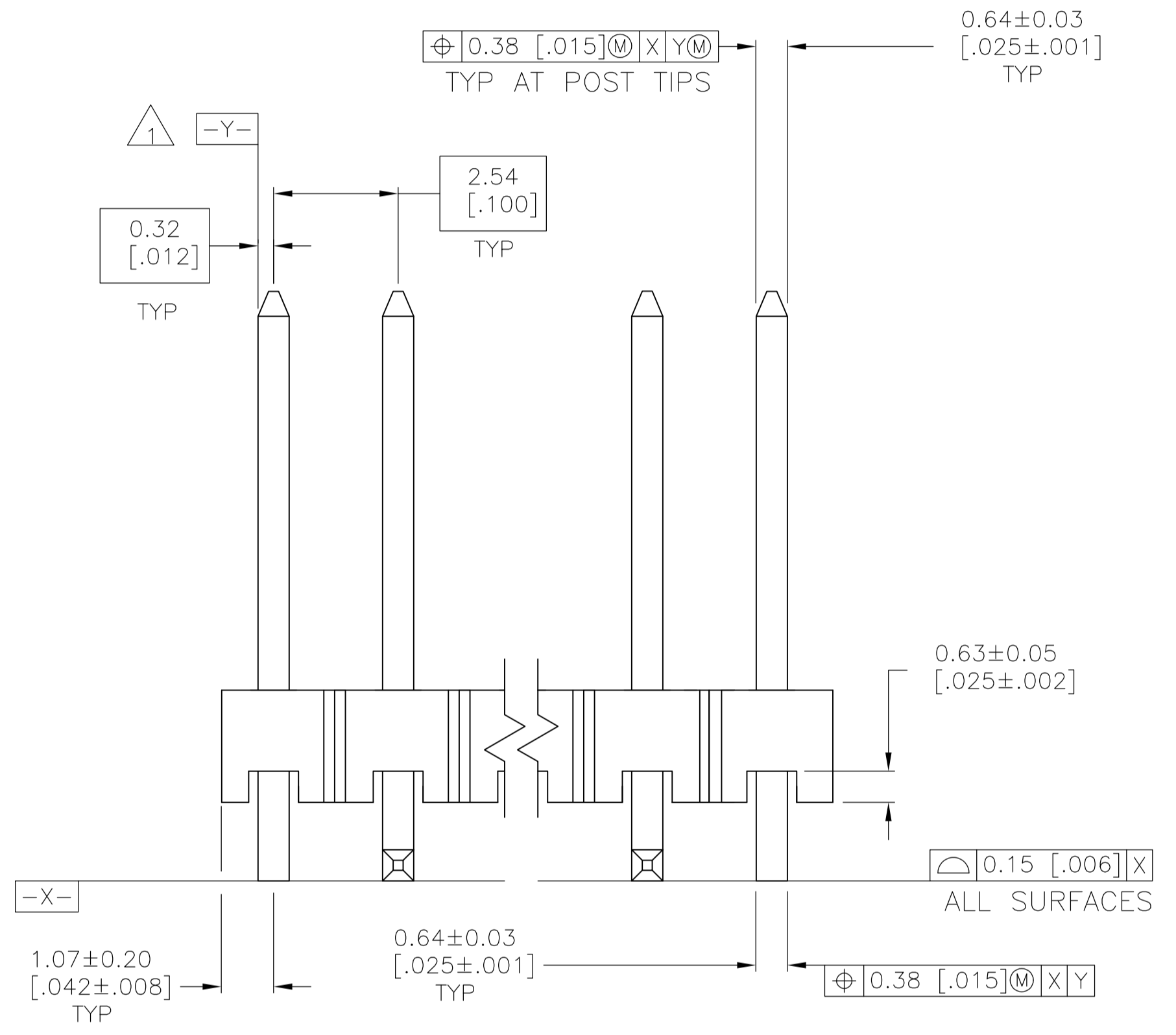
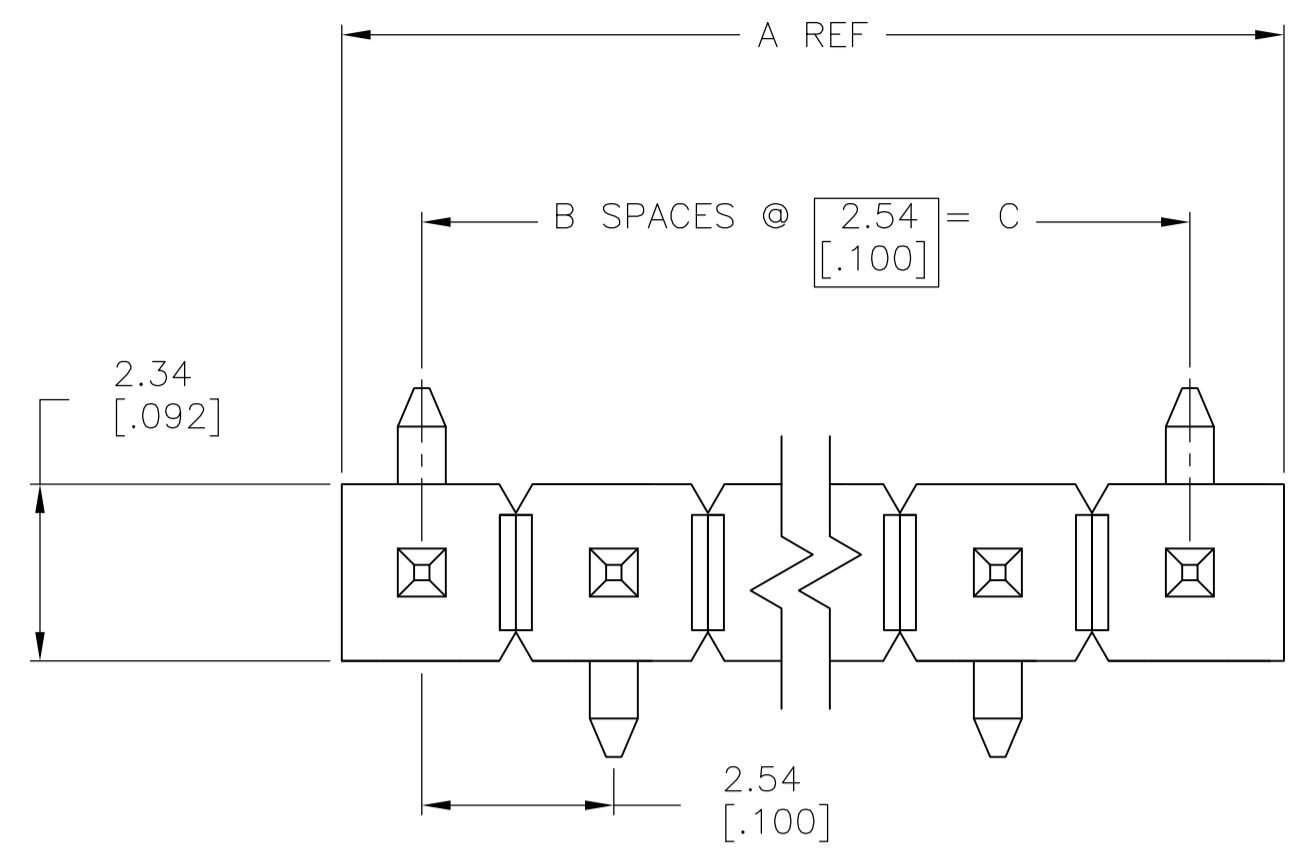


- 1 THE NOTED DIMENSIONS APPLY AT THE INTERSECTION OF THE POST AND THE HOUSING.
- 2 0.000762[.000030] GOLD ON CONTACT AREA, 0.00254[.000100]-0.00508[.000200] MATTE TIN-LEAD ON SOLDER TAIL, ALL OVER 0.00127[.000050] NICKEL.
- 3 HOUSING: LCP, COLOR-BLACK. POSTS: COPPER ALLOY.
- 4 0.000762[.000030] GOLD ON CONTACT AREA, 0.00254[.000100]-0.00508[.000200] MATTE TIN ON SOLDER TAIL, ALL OVER 0.00127[.000050] NICKEL.
- 5 OBSOLETE PARTS: OBSOLETE CIS STREAMLINING PER D.RENAUD/D.SINISI



RECOMMENDED PCB LAYOUT FOR USE WITH .008 THICK STENCIL

4	35.56 [1.400]	14	35.69 [1.484]	15	6-146129-3	
4	33.02 [1.300]	13	33.15 [1.384]	14	6-146129-2	
4	30.48 [1.200]	12	30.61 [1.284]	13	6-146129-1	
4	27.94 [1.100]	11	28.07 [1.184]	12	6-146129-0	
4	25.40 [1.000]	10	27.53 [1.084]	11	5-146129-9	
4	22.86 [.900]	9	24.99 [.984]	10	5-146129-8	
4	20.32 [.800]	8	22.45 [.884]	9	5-146129-7	
4	17.78 [.700]	7	19.91 [.784]	8	5-146129-6	
4	15.24 [.600]	6	17.37 [.684]	7	5-146129-5	
4	12.70 [.500]	5	14.83 [.584]	6	5-146129-4	
4	10.16 [.400]	4	12.29 [.484]	5	5-146129-3	
4	7.62 [.300]	3	9.75 [.384]	4	5-146129-2	
4	5.08 [.200]	2	7.21 [.284]	3	5-146129-1	
5	OBSOLETE	2	35.56 [1.400]	14	35.69 [1.484]	
5	OBSOLETE	2	33.02 [1.300]	13	33.15 [1.384]	
5	SUPERSEDED	2	30.48 [1.200]	12	30.61 [1.284]	
5	SUPERSEDED	2	27.94 [1.100]	11	28.07 [1.184]	
5	OBSOLETE	2	25.40 [1.000]	10	27.53 [1.084]	
5	OBSOLETE	2	22.86 [.900]	9	24.99 [.984]	
5	OBSOLETE	2	20.32 [.800]	8	22.45 [.884]	
5	SUPERSEDED	2	17.78 [.700]	7	19.91 [.784]	
5	SUPERSEDED	2	15.24 [.600]	6	17.37 [.684]	
5	OBSOLETE	2	12.70 [.500]	5	14.83 [.584]	
5	SUPERSEDED	2	10.16 [.400]	4	12.29 [.484]	
5	SUPERSEDED	2	7.62 [.300]	3	9.75 [.384]	
5	SUPERSEDED	2	5.08 [.200]	2	7.21 [.284]	
	PLATING	C	B	A	NO OF POSN	PART NUMBER

THIS DRAWING IS A CONTROLLED DOCUMENT.

DIMENSIONS: mm [INCHES]

TOLERANCES UNLESS OTHERWISE SPECIFIED:

0 PLC	±	-
1 PLC	±	-
2 PLC	±	0.13[.005]
3 PLC	±	-
4 PLC	±	-

ANGLES: ± -

MATERIAL: 3

FINISH: SEE TABLE

WEIGHT: -

SIZE: A1

SCALE: 10:1

SHEET: 1 of 1

REV: -

DATE: 9-30-94

BY: J. KNAUB

CHK: G. DUBNICZKI

APVD: G. DUBNICZKI

NAME: SURFACE MOUNT HEADER ASSEMBLY, MOD II, BREAKAWAY, VERTICAL, SINGLE ROW, .100 X.100 C/L, .025 SQ.POST

PRODUCT SPEC: -

APPLICATION SPEC: -

STE TE Connectivity

00779-146129

X-ON Electronics

Largest Supplier of Electrical and Electronic Components

Click to view similar products for [Headers & Wire Housings](#) category:

Click to view products by [TE Connectivity](#) manufacturer:

Other Similar products are found below :

[892-18-020-10-001101](#) [58102-G61-06LF](#) [582553-1](#) [0009485154](#) [009176003701906](#) [0050291907](#) [LY20-4P-DT1-P1E-BR](#) [02.125.8002.8](#)
[609-3404](#) [61062-3](#) [61082-181009](#) [622-3653LF](#) [63453-116](#) [636-1030](#) [636-1427](#) [636-3427](#) [636-4007](#) [641938-9](#) [641991-4](#) [644827-2](#) [65817-](#)
[010LF](#) [65817-015LF](#) [65863-015LF](#) [66207-023LF](#) [67095-007LF](#) [67601157](#) [68645-018](#) [68648-049](#) [70.362.1628.0](#) [70-4210](#) [70-4226B](#) [70-](#)
[4853B](#) [707-5020](#) [707-5028](#) [71.350.2428.0](#) [71918-208LF](#) [71961-016LF](#) [733-134](#) [733-162](#) [754199-000](#) [760-3052](#) [787-8014-00](#) [79531-3000](#)
[FCN-360C032-B](#) [FCN-367T-T012/H](#) [FCN-723D010/2](#) [80.063.4001.1](#) [800-90-001-10-001000](#) [800-90-010-10-002000](#) [801-43-002-10-013000](#)