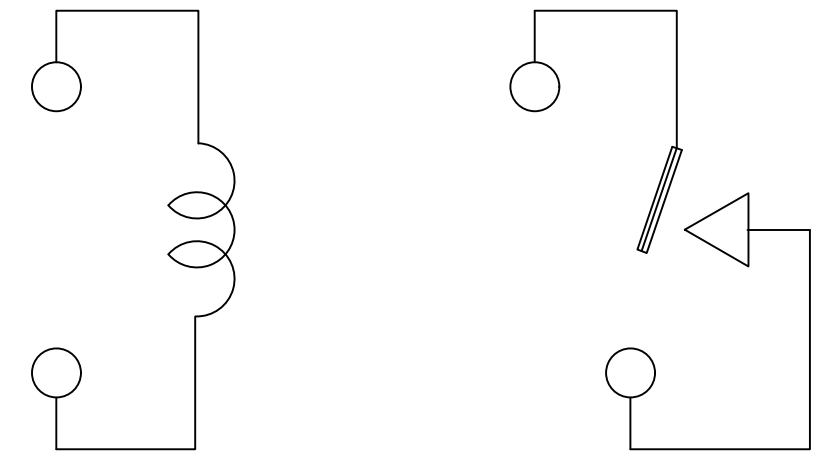
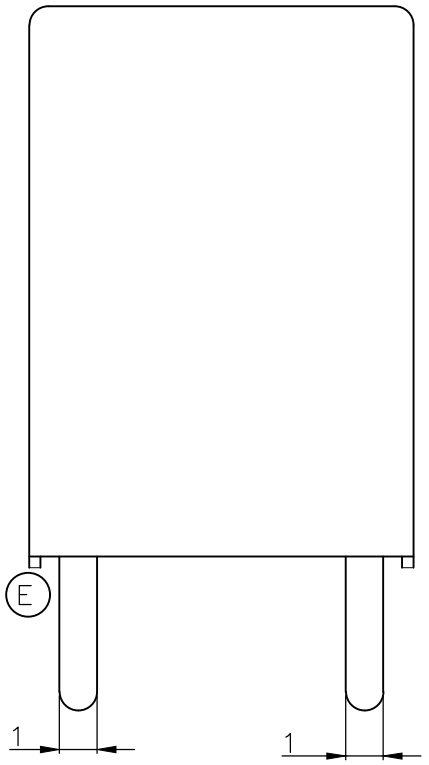
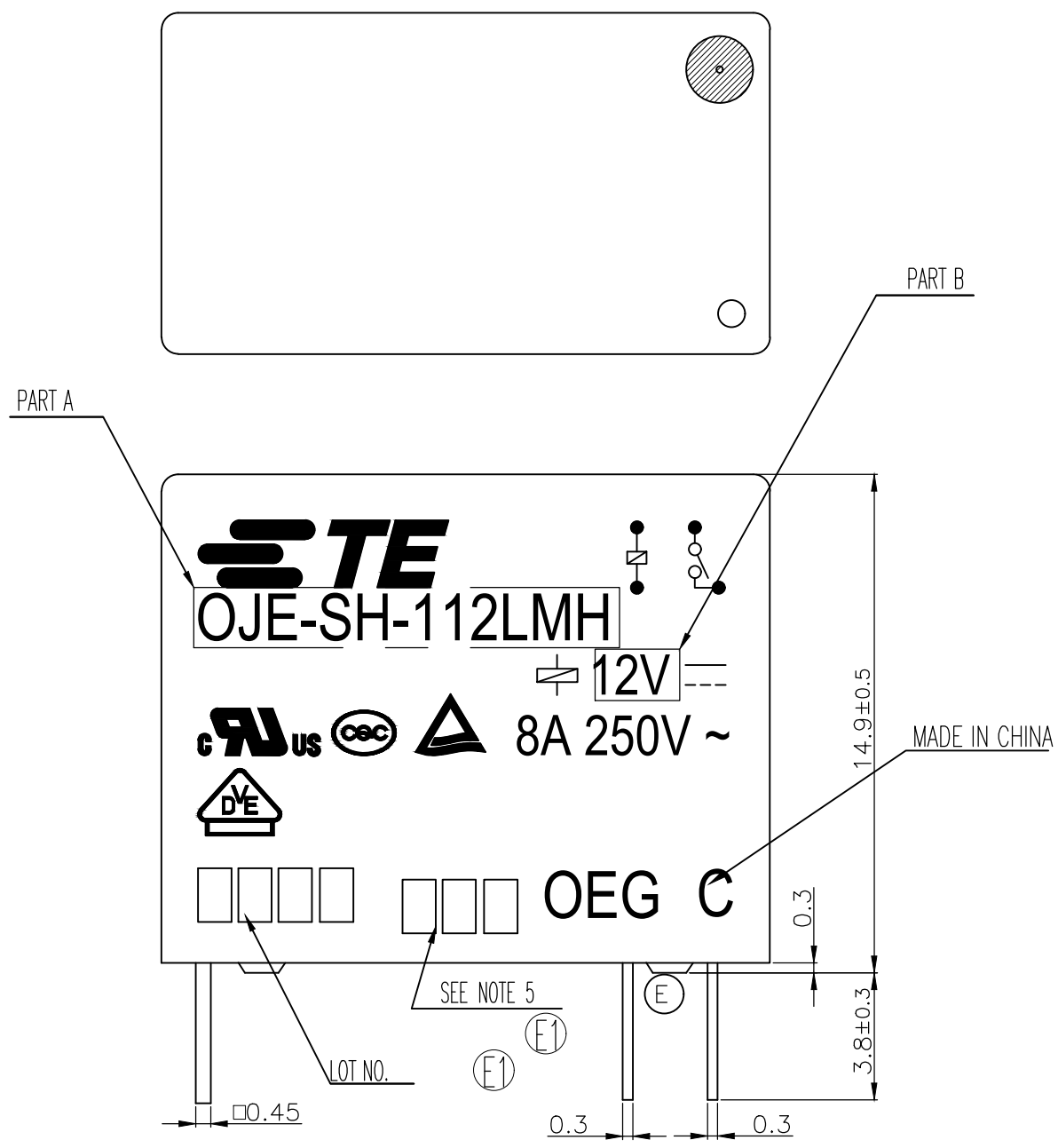


THIS DRAWING IS UNPUBLISHED. RELEASED FOR PUBLICATION
 © COPYRIGHT - By - TE CONNECTIVITY ALL RIGHTS RESERVED.

LOC	DIST	REVISIONS					
		P	LTR	DESCRIPTION	DATE	DWN	APVD
HB	-		E	REMOVED THE RIB ON THE BASE TO CASE ECO-15-011310	03-Dec-15	YS.H	HLC
			E1	ADD NEW PN ECO-18-008228	25-May-18	WQ.Y	K.T



CONNECTION FIGURE

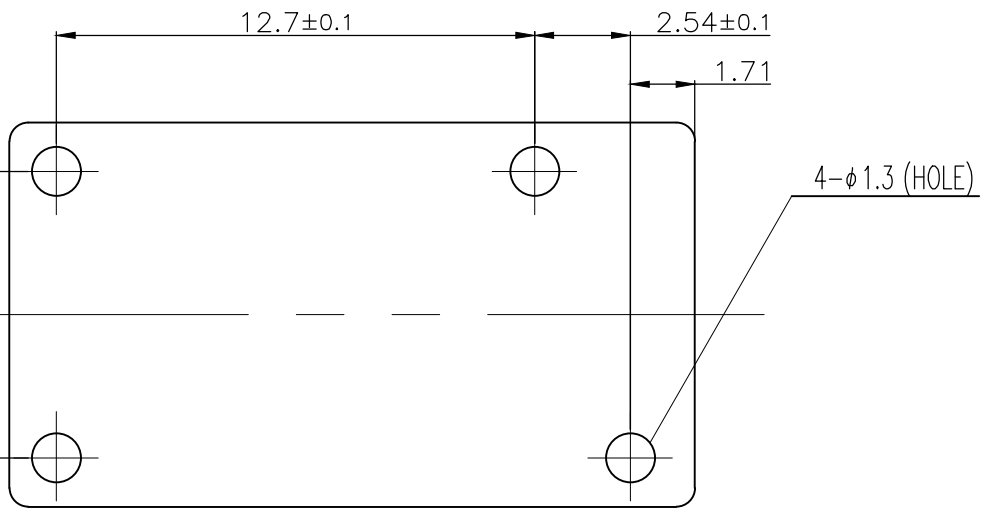
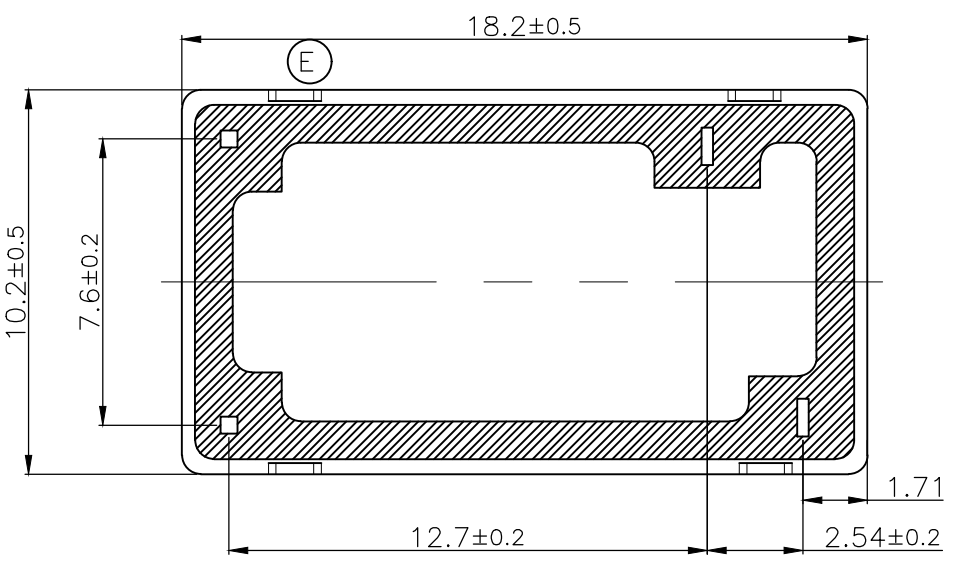


FIGURE FOR PRINTED CIRCUIT BOARD PROCESSING (BOTTOM VIEW)

THIS DRAWING IS A CONTROLLED DOCUMENT.		DWN	H.SASAKI		TE Connectivity			
DIMENSIONS: mm		CHK	Y.OIKAWA					
TOLERANCES UNLESS OTHERWISE SPECIFIED:		APVD	S.NAGAI		NAME			
0 PLC ± -		PRODUCT SPEC	SEE PRODUCT SPEC		OJE-SH-LMH CUSTOMER DRAWING			
1 PLC ± -		APPLICATION SPEC	-		SIZE	CAGE CODE	DRAWING NO	RESTRICTED TO
2 PLC ± -					A3	00779	C- 1461403	-
3 PLC ± -					SCALE			SHEET
4 PLC ± -					5:1			1 of 2
ANGLES ± -					REV			E1
MATERIAL		FINISH			CUSTOMER DRAWING			

THIS DRAWING IS UNPUBLISHED. RELEASED FOR PUBLICATION
 © COPYRIGHT - By - TE CONNECTIVITY ALL RIGHTS RESERVED.

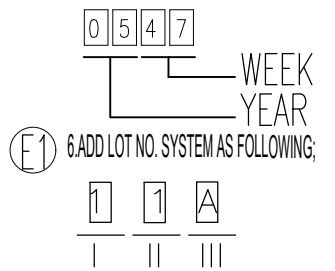
LOC	DIST	REVISIONS					
		P	LTR	DESCRIPTION	DATE	DWN	APVD
HB	-	-	-	SEE SHEET 1	-	-	-

FIG	TE PART NO	TE TYPE NAME	PACKAGE SPEC	PART B	PART A	TYPE		
D	C	B	1461403-7	OJE-SH-124LMH	107-84031	24V	OJE-SH-124LMH	g
			1461403-5	OJE-SH-124LMH	107-79010	24V	OJE-SH-124LMH	f
			1461403-4	OJE-SH-112LMH	107-79010	12V	OJE-SH-112LMH	e
			1461403-2	OJE-SH-109LMH	107-79010	9V	OJE-SH-109LMH	d
			1461403-1	OJE-SH-106LMH	107-79010	6V	OJE-SH-106LMH	c
			1461403-3	OJE-SH-105LMH	107-79010	5V	OJE-SH-105LMH	b
			1461403-6	OJE-SH-103LMH	107-79010	3V	OJE-SH-103LMH	a

RELAY TYPE

- NOTES:**
 1.ALL LOGO TO BE SCALE DOWNED
 2.FONT IS AIARL NARROW.
 3.PRODUCT SPECIFICATION AS SHOWN AT TABLE
 4.USE LASER MACHINE TO PRINT.

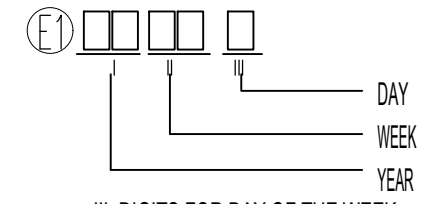
FIG A 5.LOT NO. SYSTEM AS FOLLOWING:



- 6.ADD LOT NO. SYSTEM AS FOLLOWING;
- I, DIGITS FOR DAY OF THE WEEK
 1...MONDAY IN THIS WEEK;
 2...TUESDAY IN THIS WEEK;

 7...SUNDAY IN THIS WEEK
- II, DIGITS FOR SHIFT OF THE DAY
 1...DAY SHIFT IN THIS DAY;
 2...NIGHT SHIFT IN THIS DAY;
- III, ONE CHARACTER DISTINGUISH THE LINE IDENTITY, SUCH AS: A,B.....Z

FIG B 5.LOT NO.SYSTEM AS FOLLOWING:



- III, DIGITS FOR DAY OF THE WEEK
 1...MONDAY IN THIS WEEK;
 2...TUESDAY IN THIS WEEK;

 7...SUNDAY IN THIS WEEK
- 6.ADD LOT NO. SYSTEM AS FOLLOWING;
- I, DIGITS FOR SHIFT OF THE DAY
 1...DAY SHIFT IN THIS DAY;
 2...NIGHT SHIFT IN THIS DAY;
- II, ONE CHARACTER DISTINGUISH THE LINE IDENTITY, SUCH AS: A,B.....Z
7. ANTI-EXPLOSIVE CERTIFICATION NUMBER,

INCOMBUSTIBILITY	TREATMENT	MATERIAL	DESCRIPTION	ITEM
		UV RESIN	SEEL (VENT HOLE)	16
		EPOXY RESIN	SEEL (BASE & BOBBIN)	15
		3UEW	MAGNETIC WIRE	14
94V-0		P.B.T	CASE	13
94V-0		P.B.T	BASE	12
94V-0		P.B.T	BOBBIN	11
	SOLDER DIP	C.P WIRE	COIL TERMINAL	10
FIG C	94V-0	LCP	CARD	9
FIG D	94V-0	P.P.S	CARD	
		Ag ALLOY	MOVABLE CONTACT	8
		Ag ALLOY	NO.CONTACT	7
		STEEL	HINGE SPRING	6
	SOLDER DIP	Cu ALLOY	NO.TERMINAL	5
	SOLDER DIP	Cu ALLOY	MOVABLE SPRING	4
	NIP	STEEL	CORE	3
	NIP	STEEL	ARMATURE	2
	NIP	STEEL	YOKE	1

THIS DRAWING IS A CONTROLLED DOCUMENT.		DWN	H.SASAKI	TE Connectivity OJE-SH-LMH CUSTOMER DRAWING			
DIMENSIONS: mm		CHK	Y.OIKAWA				
TOLERANCES UNLESS OTHERWISE SPECIFIED:		APVD	S.NAGAI				
0 PLC ± - 1 PLC ± - 2 PLC ± - 3 PLC ± - 4 PLC ± - ANGLES ± -		PRODUCT SPEC	SEE PRODUCT SPEC				
MATERIAL		APPLICATION SPEC	-	SIZE	CAGE CODE	DRAWING NO	RESTRICTED TO
FINISH		WEIGHT	-	A3	00779	1461403	-
CUSTOMER DRAWING				SCALE	5:1	SHEET	2 OF 2
				REV	E1		

X-ON Electronics

Largest Supplier of Electrical and Electronic Components

Click to view similar products for [General Purpose Relays](#) category:

Click to view products by [TE Connectivity](#) manufacturer:

Other Similar products are found below :

[PCN-105D3MH,000](#) [59641F200](#) [LY1SAC110120](#) [5X827E](#) [5X837F](#) [5X840F](#) [5X842F](#) [5X848E](#) [LY2N-AC120](#) [LY2S-AC220/240](#) [LY2-US-AC120](#) [LY3-US-AC120](#) [LY4F-UA-DC12](#) [LY4F-UA-DC24](#) [LY4F-US-AC120](#) [LY4F-US-AC240](#) [LY4F-US-DC24](#) [LY4F-VD-AC110](#) [LYQ20DC12](#) [M115C60](#) [M115N010](#) [M115N0150](#) [6031007G](#) [603-12D](#) [61211T0B4](#) [61212T400](#) [61222Q400](#) [61243B600](#) [61243C500](#) [61243Q400](#) [61311BOA2](#) [61311BOA6](#) [61311BOA8](#) [61311C0A2](#) [61311COA1](#) [61311COA6](#) [61311F0A2](#) [61311QOA1](#) [61311QOA4](#) [61311T0D6](#) [61311TOA6](#) [61311TOA7](#) [61311TOB3](#) [61311TOB4](#) [61311U0A6](#) [61312Q600](#) [61312T400](#) [61312T600](#) [61313U200](#) [61313U400](#)