

THIS DRAWING IS UNPUBLISHED. RELEASED FOR PUBLICATION
 © COPYRIGHT - By - TE CONNECTIVITY ALL RIGHTS RESERVED.

LOC	DIST	REVISIONS				
P	LTR	DESCRIPTION	DATE	DWN	APVD	
HB	-	E	REMOVED THE RIB ON THE BASE TO CASE ECO-15-011310	03DEC2015	YS.H	CHL

D

C

B

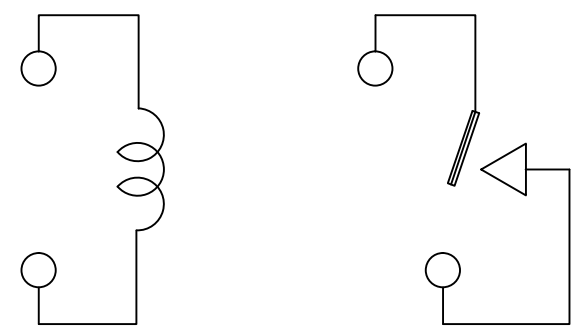
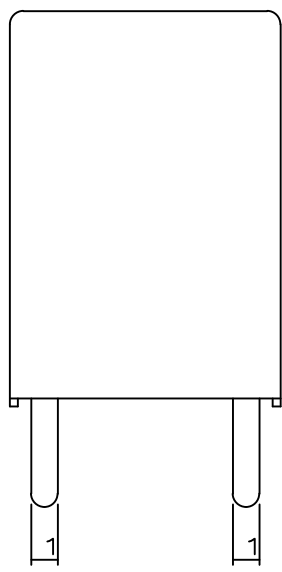
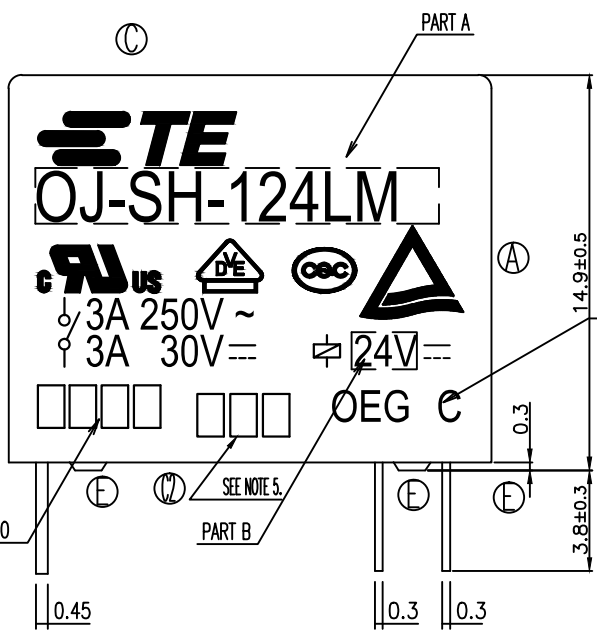
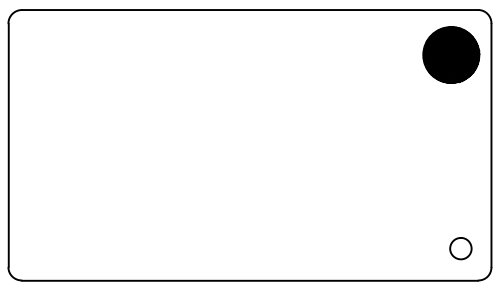
A

D

C

B

A



CONNECTION FIGURE

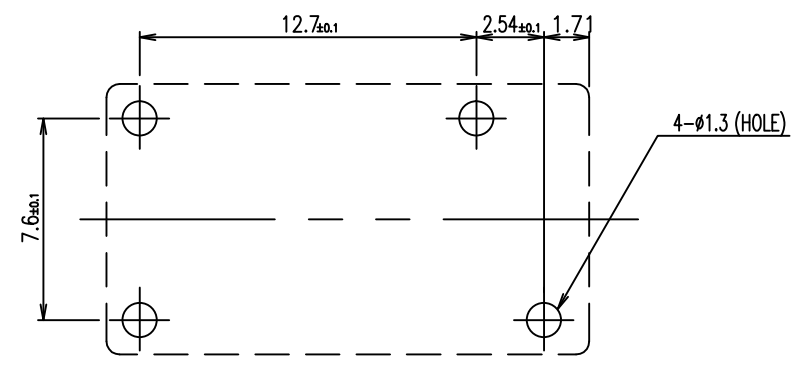
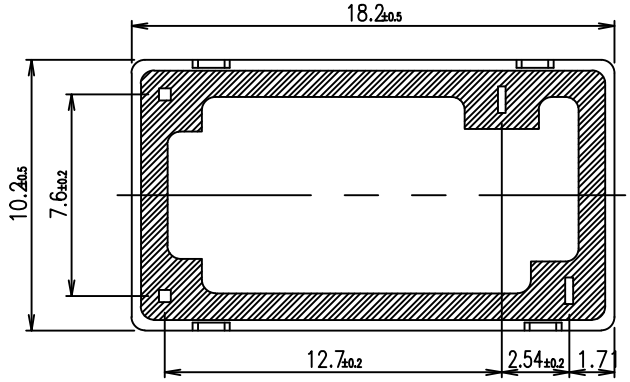


FIGURE FOR PRINTED CIRCUIT BOARD PROCESSING (BOTTOM VIEW)



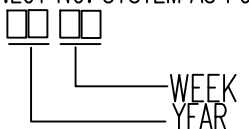
THIS DRAWING IS A CONTROLLED DOCUMENT.		DWN	H.Sasaki		
DIMENSIONS: mm		CHK	Y.Oikawa		
TOLERANCES UNLESS OTHERWISE SPECIFIED:		APVD	A.Nagai		
0 PLC ± -		PRODUCT SPEC	-		
1 PLC ± -		APPLICATION SPEC	-		
2 PLC ± -		WEIGHT	-		
3 PLC ± -		CUSTOMER DRAWING	-		
4 PLC ± -		MATERIAL	-		
ANGLES ± -		FINISH	-		
		TE Connectivity		-	
		OJ-SH-LM SPEC,000 CUSTOMER DRAWING		-	
		SIZE	CAGE CODE	DRAWING NO	RESTRICTED TO
		A3	00779	1461404	-
		SCALE	SHEET	REV	
		5:1	1 OF 2	E	

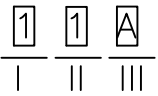
THIS DRAWING IS UNPUBLISHED. RELEASED FOR PUBLICATION
 © COPYRIGHT - By - TE CONNECTIVITY ALL RIGHTS RESERVED.

LOC	DIST	REVISIONS					
HB	-	P	LTR	DESCRIPTION	DATE	DWN	APVD
		-		SEE SHEET 1	-	-	-

1461404-4	QJ-SH-124LM, 000	107-79010	24V	QJ-SH-124LM	f
1461404-6	QJ-SH-112LM, 000	107-79010	12V	QJ-SH-112LM	e
1461404-3	QJ-SH-109LM, 000	107-79010	9V	QJ-SH-109LM	d
1461404-2	QJ-SH-106LM, 000	107-79010	6V	QJ-SH-106LM	c
1461404-1	QJ-SH-105LM, 000	107-79010	5V	QJ-SH-105LM	b
1461404-5	QJ-SH-103LM, 000	107-79010	3V	QJ-SH-103LM	a
TE CONNECTIVITY PART NUMBER	TE CONNECTIVITY TYPE NAME	PACKAGE SPEC,	PART B	PART A	TYPE

RELAY TYPE

ⓐ NOTE:
 1. LOT NO. SYSTEM AS FOLLOWING:


ⓑ 5. ADD LOT NO. SYSTEM AS FOLLOWING:


- Ⓒ 2. TERMINAL DIMENSION IS BEFORE SOLDER DIP;
- Ⓓ 3. FOR THE TIN-PLATING OF THE PINS:
 +0.1mm FOR WIDTH, THICKNESS AND DIAMETER.
 +0.5mm FOR LENGTH.
- Ⓔ 4. USED WELDED CONTACT & LASER MARKING.

- I, DIGITS FOR DAY OF THE WEEK
 1...MONDAY IN THIS WEEK;
 2...TUESDAY IN THIS WEEK;

 7...SUNDAY IN THIS WEEK
- II, DIGITS FOR SHIFT OF THE DAY
 1...DAY SHIFT IN THIS DAY;
 2...NIGHT SHIFT IN THIS DAY;
- III, ONE CHARACTER DISTINGUISH THE LINE IDENTITY, SUCH AS: A,B.....Z

		UV RESIN	SEAL (VENT HOLE)	16
		EPOXY RESIN	SEAL (BASE & BOBBIN)	15
		JUEW	MAGNETIC WIRE	14
94V-0		P.B.T	CASE	13
94V-0		P.B.T	BASE	12
94V-0		P.B.T	BOBBIN	11
	SOLDER DIP	C.P WIRE	COIL TERMINAL	10
94V-0		P.P.S	CARD	9
		Ag	MOVABLE CONTACT	8
		Ag	NO.CONTACT	7
		STEEL	HINGE SPRING	6
	SOLDER DIP	Cu ALLOY	NO.TERMINAL	5
	SOLDER DIP	Cu ALLOY	MOVABLE SPRING	4
	NIP	STEEL	CORE	3
	NIP	STEEL	ARMATURE	2
	NIP	STEEL	YOKE	1
INCOMBUSTIBILITY	TREATMENT	MATERIAL	DESCRIPTION	ITEM

THIS DRAWING IS A CONTROLLED DOCUMENT.		DWN	H.Sasaki	
DIMENSIONS: mm		CHK	Y.Oikawa	
TOLERANCES UNLESS OTHERWISE SPECIFIED:		APVD	A.Nagai	
0 PLC ± -		PRODUCT SPEC	-	
1 PLC ± -		APPLICATION SPEC	-	
2 PLC ± -		WEIGHT	-	
3 PLC ± -		CUSTOMER DRAWING	-	
4 PLC ± -		SCALE	5:1	
ANGLES ± -		SHEET	2 OF 2	
MATERIAL	FINISH	DRAWING NO	1461404	
-	-	RESTRICTED TO	-	
		SIZE	A3	
		CAGE CODE	00779	
		REV	E	



QJ-SH-LM SPEC,000 CUSTOMER DRAWING

X-ON Electronics

Largest Supplier of Electrical and Electronic Components

Click to view similar products for [General Purpose Relays](#) category:

Click to view products by [TE Connectivity](#) manufacturer:

Other Similar products are found below :

[PCN-105D3MH,000](#) [59641F200](#) [LY1SAC110120](#) [5X827E](#) [5X837F](#) [5X840F](#) [5X842F](#) [5X848E](#) [LY2N-AC120](#) [LY2S-AC220/240](#) [LY2-US-AC120](#) [LY3-US-AC120](#) [LY4F-UA-DC12](#) [LY4F-UA-DC24](#) [LY4F-US-AC120](#) [LY4F-US-AC240](#) [LY4F-US-DC24](#) [LY4F-VD-AC110](#) [LYQ20DC12](#) [M115C60](#) [M115N010](#) [M115N0150](#) [6031007G](#) [603-12D](#) [61211T0B4](#) [61212T400](#) [61222Q400](#) [61243B600](#) [61243C500](#) [61243Q400](#) [61311BOA2](#) [61311BOA6](#) [61311BOA8](#) [61311C0A2](#) [61311COA1](#) [61311COA6](#) [61311F0A2](#) [61311QOA1](#) [61311QOA4](#) [61311T0D6](#) [61311TOA6](#) [61311TOA7](#) [61311TOB3](#) [61311TOB4](#) [61311U0A6](#) [61312Q600](#) [61312T400](#) [61312T600](#) [61313U200](#) [61313U400](#)