

4

15

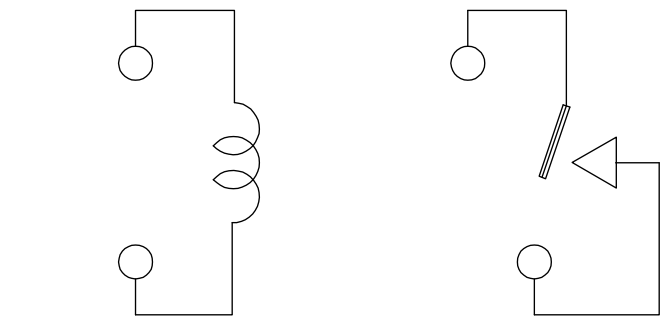
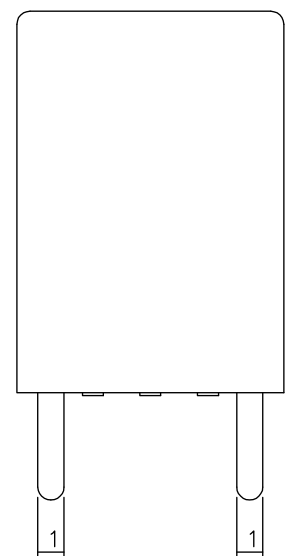
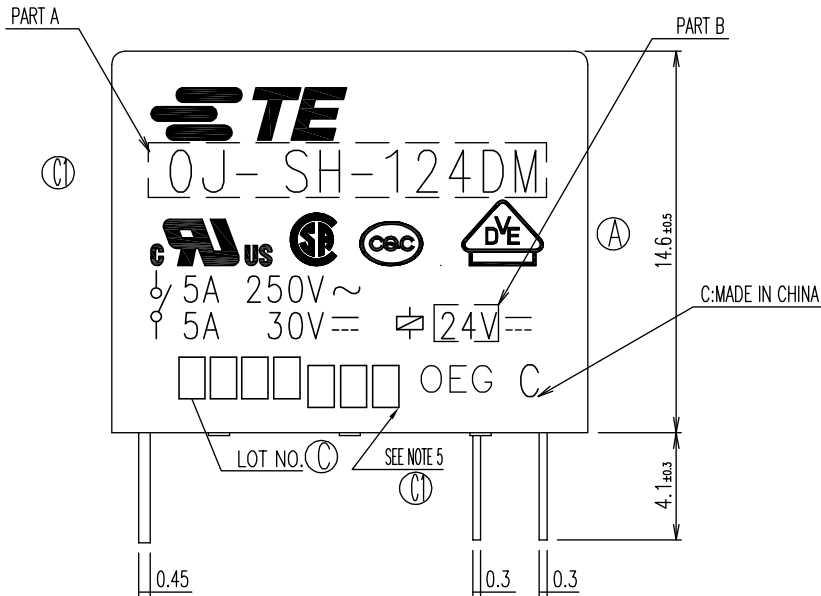
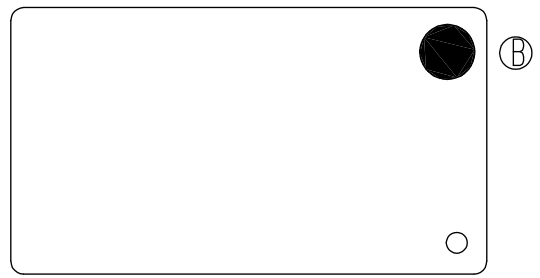
3

2

1

THIS DRAWING IS UNPUBLISHED. RELEASED FOR PUBLICATION
 © COPYRIGHT - By - TE CONNECTIVITY ALL RIGHTS RESERVED.

LOC	DIST	REVISIONS					
		P	LTR	DESCRIPTION	DATE	DWN	APVD
HB	-		C1	CHANGE LOGO&ADD LINE IDENTIFICATION ECO-12-001771	22Aug2012	YS.H	BH.Y



CONNECTION FIGURE

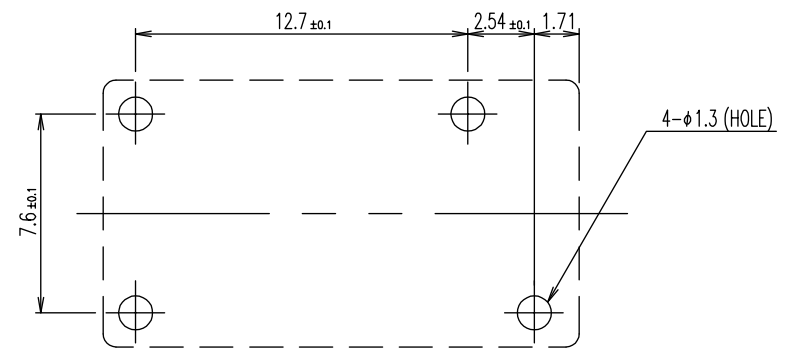
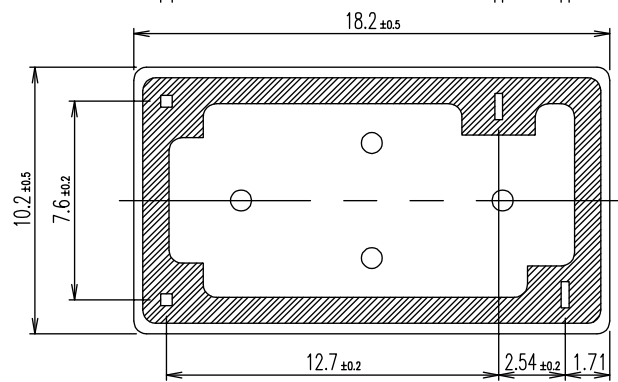


FIGURE FOR PRINTED CIRCUIT BOARD PROCESSING (BOTTOM VIEW)



THIS DRAWING IS A CONTROLLED DOCUMENT.		DWN	H.Sasaki		TE Connectivity			
DIMENSIONS: mm		CHK	A.Nagai					NAME
TOLERANCES UNLESS OTHERWISE SPECIFIED:		APVD	Y.Oikawa		OJ-SH-DM SPEC.000 CUSTOMER DRAWING			
0 PLC ± - 1 PLC ± - 2 PLC ± - 3 PLC ± - 4 PLC ± - ANGLES ± -		PRODUCT SPEC	-		SIZE	CAGE CODE	DRAWING NO	RESTRICTED TO
MATERIAL		FINISH	-		A3	00779	G= 1461406	-
		WEIGHT	-		CUSTOMER DRAWING			SCALE 5:1 SHEET 1 of 2 REV C1

THIS DRAWING IS UNPUBLISHED. RELEASED FOR PUBLICATION
 © COPYRIGHT - By - TE CONNECTIVITY ALL RIGHTS RESERVED.

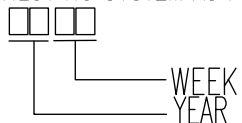
LOC	DIST	REVISIONS					
HB	-	P	LTR	DESCRIPTION	DATE	DWN	APVD
		-	-	SEE SHEET 1	-	-	-

Ⓞ	OBSOLETE	1461406-6	OJ-SH-148DM, 000	107-79010	48V	OJ-SH-148DM	g
	ACTIVE	1461406-5	OJ-SH-124DM, 000	107-79010	24V	OJ-SH-124DM	f
	ACTIVE	1461406-4	OJ-SH-112DM, 000	107-79010	12V	OJ-SH-112DM	e
Ⓞ	OBSOLETE	1461406-3	OJ-SH-109DM, 000	107-79010	9V	OJ-SH-109DM	d
Ⓞ	OBSOLETE	1461406-2	OJ-SH-106DM, 000	107-79010	6V	OJ-SH-106DM	c
	ACTIVE	1461406-1	OJ-SH-105DM, 000	107-79010	5V	OJ-SH-105DM	b
Ⓞ	OBSOLETE	1461406-7	OJ-SH-103DM, 000	107-79010	3V	OJ-SH-103DM	a
	PART STATUS	TE PART NO	TE TYPE NAME	PACKAGE SPEC	PART B	PART A	TYPE

RELAY TYPE

Ⓞ ⓐ NOTE:

1. LOT NO SYSTEM AS FOLLOWING:

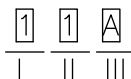


Ⓞ 2. TERMINAL DIMENSION IS BEFORE SOLDER DIP;

Ⓞ 3. FOR THE TIN-PLATING OF THE PINS:
+0.1mm FOR WIDTH, THICKNESS AND DIAMETER.
+0.5mm FOR LENGTH.

Ⓞ 4. MARKING FROM INK TO LASER.

Ⓞ 5. ADD LOT NO. SYSTEM AS FOLLOWING;



I, DIGITS FOR DAY OF THE WEEK

1...MONDAY IN THIS WEEK;
2...TUESDAY IN THIS WEEK;

.....
7...SUNDAY IN THIS WEEK

II, DIGITS FOR SHIFT OF THE DAY

1...DAY SHIFT IN THIS DAY;
2...NIGHT SHIFT IN THIS DAY;

III, ONE CHARACTER DISTINGUISH THE LINE IDENTITY, SUCH AS: A,B,.....Z

		UV RESIN	SEAL (VENT HOLE)	16
		EPOXY RESIN	SEAL (BASE & BOBBIN)	15
		3UEW	MAGNETIC WIRE	14
94V-0		P.B.T	CASE	13
94V-0		P.B.T	BASE	12
94V-0		P.B.T	BOBBIN	11
	SOLDER DIP	C.P WIRE	COIL TERMINAL	10
94V-0		P.P.S	CARD	9
		Ag ALLOY	MOVABLE CONTACT	8
		Ag	NO.CONTACT	7
		STEEL	HINGE SPRING	6
	SOLDER DIP	PBP	NO.TERMINAL	5
	SOLDER DIP	PBS	MOVABLE SPRING	4
	NIP	STEEL	CORE	3
	NIP	STEEL	ARMATURE	2
	NIP	STEEL	YOKE	1
INCOMBUSTIBILITY	TREATMENT	MATERIAL	DESCRIPTION	ITEM

THIS DRAWING IS A CONTROLLED DOCUMENT.		DWN	H.Sasaki	
DIMENSIONS: mm		CHK	A.Nagai	
TOLERANCES UNLESS OTHERWISE SPECIFIED:		APVD	Y.Oikawa	
0 PLC ± -		PRODUCT SPEC	-	
1 PLC ± -		APPLICATION SPEC	-	
2 PLC ± -		WEIGHT	-	
3 PLC ± -		SIZE	CAGE CODE	DRAWING NO
4 PLC ± -		A3	00779	G= 1461406
ANGLES ± -		CUSTOMER DRAWING	SCALE	SHEET
FINISH			5:1	2 of 2
MATERIAL			REV	C1



OJ-SH-DM SPEC.000 CUSTOMER DRWAING

X-ON Electronics

Largest Supplier of Electrical and Electronic Components

Click to view similar products for [General Purpose Relays](#) category:

Click to view products by [TE Connectivity](#) manufacturer:

Other Similar products are found below :

[PCN-105D3MH,000](#) [59641F200](#) [LY1SAC110120](#) [5X827E](#) [5X837F](#) [5X840F](#) [5X842F](#) [5X848E](#) [LY2N-AC120](#) [LY2S-AC220/240](#) [LY2-US-AC120](#) [LY3-US-AC120](#) [LY4F-UA-DC12](#) [LY4F-UA-DC24](#) [LY4F-US-AC120](#) [LY4F-US-AC240](#) [LY4F-US-DC24](#) [LY4F-VD-AC110](#) [LYQ20DC12](#) [M115C60](#) [M115N010](#) [M115N0150](#) [6031007G](#) [603-12D](#) [61211T0B4](#) [61212T400](#) [61222Q400](#) [61243B600](#) [61243C500](#) [61243Q400](#) [61311BOA2](#) [61311BOA6](#) [61311BOA8](#) [61311C0A2](#) [61311COA1](#) [61311COA6](#) [61311F0A2](#) [61311QOA1](#) [61311QOA4](#) [61311T0D6](#) [61311TOA6](#) [61311TOA7](#) [61311TOB3](#) [61311TOB4](#) [61311U0A6](#) [61312Q600](#) [61312T400](#) [61312T600](#) [61313U200](#) [61313U400](#)