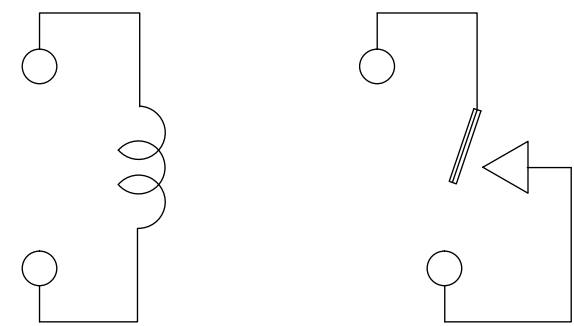
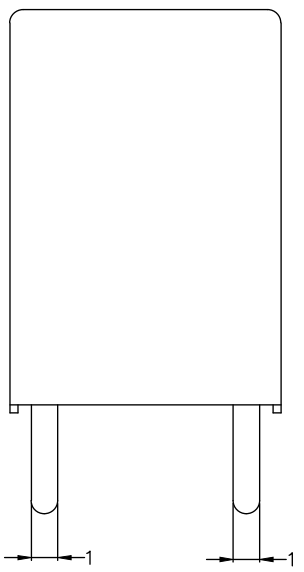
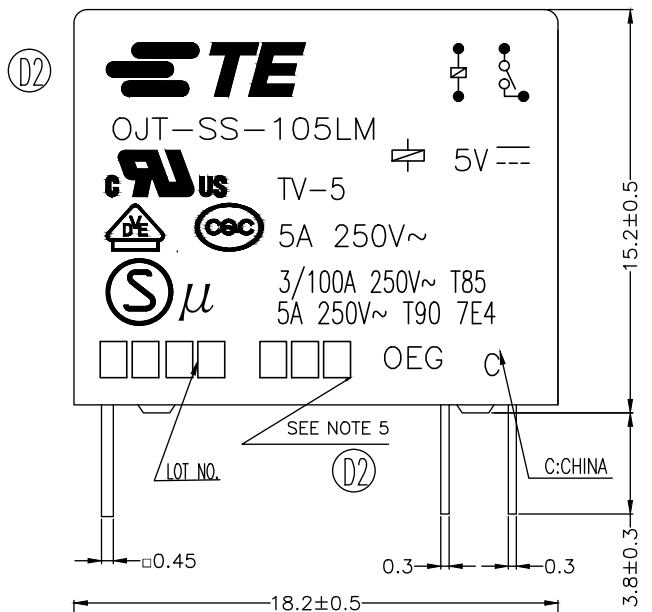


THIS DRAWING IS UNPUBLISHED. RELEASED FOR PUBLICATION  
 © COPYRIGHT - By - TE CONNECTIVITY ALL RIGHTS RESERVED.

LOC	DIST	REVISIONS					
HB	-	P	LTR	DESCRIPTION	DATE	DWN	APVD
		E		UNIFY GROOVE OF GLUE ECO-15-012528	27Aug2015	YS.H	CSM



CONNECTION FIGURE

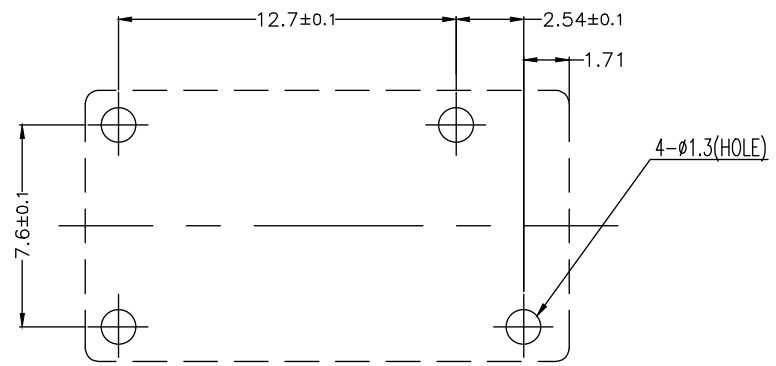
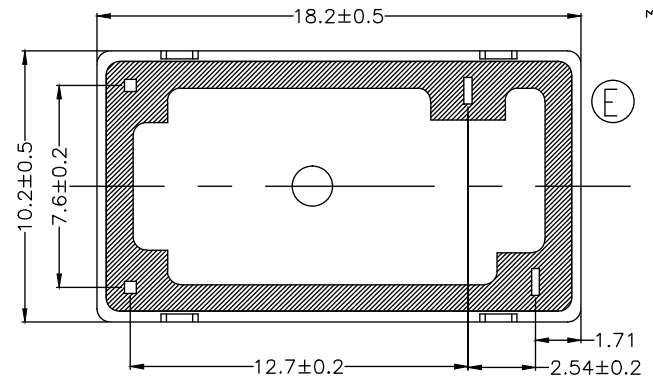


FIGURE FOR PRINTED CIRCUIT BOARD PROCESSING (BOTTOM VIEW)

Diagram dimension	Tolerance
0.99mm max.	±0.1mm
1 - 2.99mm	±0.2mm
3mm min.	±0.3mm



THIS DRAWING IS A CONTROLLED DOCUMENT.		DWN	Fu.Bo	-	TE Connectivity OJT-SS-1**LM.000 CUSTOMER DRAWING
DIMENSIONS: mm		CHK	Zhang.XN	-	
TOLERANCES UNLESS OTHERWISE SPECIFIED:		APVD	Yang.Wen	-	
0 PLC ± - 1 PLC ± - 2 PLC ± - 3 PLC ± - 4 PLC ± - ANGLES ± - FINISH ± -		PRODUCT SPEC	-	NAME	
MATERIAL	-	APPLICATION SPEC	-	SIZE	A3
		WEIGHT	-	CAGE CODE	00779
		CUSTOMER DRAWING		DRAWING NO	1461492
		SCALE	5:1	SHEET	1 OF 2
		REV	E	RESTRICTED TO	-

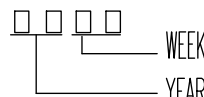
THIS DRAWING IS UNPUBLISHED. RELEASED FOR PUBLICATION  
 © COPYRIGHT - By - TE CONNECTIVITY ALL RIGHTS RESERVED.


LOC	DIST	REVISIONS					
HB	-	P	LTR	DESCRIPTION	DATE	DWN	APVD
		-		SEE SHEET 1	-	-	-

107-79010	1461492-7	OJT-SS-124LM,000	24V	OJT-SS-124LM	g
107-79010	1461492-6	OJT-SS-118LM,000	18V	OJT-SS-118LM	f
107-79010	1461492-5	OJT-SS-112LM,000	12V	OJT-SS-112LM	e
107-79010	1461492-4	OJT-SS-109LM,000	9V	OJT-SS-109LM	d
107-79010	1461492-3	OJT-SS-106LM,000	6V	OJT-SS-106LM	c
107-79010	1461492-2	OJT-SS-105LM,000	5V	OJT-SS-105LM	b
107-79010	1461492-1	OJT-SS-103LM,000	3V	OJT-SS-103LM	a
PARKING SPEC	PART NO	EC TYPE NAME	PART B	PART A	TYPE

(C1)  
(D1)

RELAY TYPE


(B) NOTES:  
 1. LOT NO. SYSTEM AS FOLLOWING:  


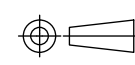
(D2) 5. ADD LOT NO. SYSTEM AS FOLLOWING;  
  
 I, DIGITS FOR DAY OF THE WEEK  
 1...MONDAY IN THIS WEEK;  
 2...TUESDAY IN THIS WEEK;  
 .....  
 7...SUNDAY IN THIS WEEK

(D2) 2. TERMINAL DIMENSION IS BEFORE SOLDER DIP;  
 (D2) 3. FOR THE TIN-PLATING OF THE PINS:  
 +0.1mm FOR WIDTH, THICKNESS AND DIAMETER.  
 +0.5mm FOR LENGTH.  
 (D2) 4. MARKING FROM INK TO LASER.

II, DIGITS FOR SHIFT OF THE DAY  
 1...DAY SHIFT IN THIS DAY;  
 2...NIGHT SHIFT IN THIS DAY;  
 III, ONE CHARACTER DISTINGUISH THE LINE  
 IDENTITY, SUCH AS: A,B,....Z

		EPOXY RESIN	SEAL (BASE & BOBBIN)	15
		3UEW	MAGNETIC WIRE	14
94V-0		P.B.T	CASE	13
94V-0		P.B.T	BASE	12
94V-0		P.B.T	BOBBIN	11
	SOLDER DIP	C.P WIRE	COIL TERMINAL	10
94V-0		P.B.T	CARD	9
		Ag ALLOY	MOVABLE CONTACT	8
		Ag ALLOY	NO.CONTACT	7
		STEEL	HINGE SPRING	6
	SOLDER DIP	PBP	NO.TERMINAL	5
	SOLDER DIP	Cu ALLOY	MOVABLE SPRING	4
	Cu-Ni PLATED	STEEL	CORE	3
	Cu-Ni PLATED	STEEL	ARMATURE	2
	Cu-Ni PLATED	STEEL	YOKE	1

INCOMBUSTIBILITY	TREATMENT	MATERIAL	DESCRIPTION	ITEM
 TE Connectivity				
NAME: OJT-SS-1**LM.000 CUSTOMER DRAWING				
SIZE	CAGE CODE	DRAWING NO	RESTRICTED TO	
A3	00779	1461492		
CUSTOMER DRAWING			SCALE	SHEET
			5:1	2 OF 2
			REV	E

THIS DRAWING IS A CONTROLLED DOCUMENT.		DWN	Fu.Bo	-
DIMENSIONS: mm		CHK	Zhang.XN	-
TOLERANCES UNLESS OTHERWISE SPECIFIED:		APVD	Yang.Wen	-
	0 PLC	±	-	PRODUCT SPEC
	1 PLC	±	-	-
	2 PLC	±	-	APPLICATION SPEC
	3 PLC	±	-	-
	4 PLC	±	-	-
MATERIAL	FINISH	WEIGHT	-	-
-	-	CUSTOMER DRAWING		

## X-ON Electronics

Largest Supplier of Electrical and Electronic Components

*Click to view similar products for [General Purpose Relays](#) category:*

*Click to view products by [TE Connectivity](#) manufacturer:*

Other Similar products are found below :

[PCN-105D3MH,000](#) [59641F200](#) [5JO-1000CD-SIL](#) [LY1SAC110120](#) [5X827E](#) [5X837F](#) [5X840F](#) [5X842F](#) [5X848E](#) [LY2N-AC120](#) [LY2S-AC220/240](#) [LY2-US-AC120](#) [LY3-US-AC120](#) [LY4F-UA-DC12](#) [LY4F-UA-DC24](#) [LY4F-US-AC120](#) [LY4F-US-AC240](#) [LY4F-US-DC24](#) [LY4F-VD-AC110](#) [LYQ20DC12](#) [M115C60](#) [M115N010](#) [M115N0150](#) [6031007G](#) [603-12D](#) [61211T0B4](#) [61212T400](#) [61222Q400](#) [61243B600](#) [61243C500](#) [61243Q400](#) [61311BOA2](#) [61311BOA6](#) [61311BOA8](#) [61311C0A2](#) [61311COA1](#) [61311COA6](#) [61311F0A2](#) [61311QOA1](#) [61311QOA4](#) [61311T0D6](#) [61311TOA6](#) [61311TOA7](#) [61311TOB3](#) [61311TOB4](#) [61311U0A6](#) [61312Q600](#) [61312T400](#) [61312T600](#) [61313U200](#)