

4

3

2

1

THIS DRAWING IS UNPUBLISHED.

RELEASED FOR PUBLICATION

ALL RIGHTS RESERVED.

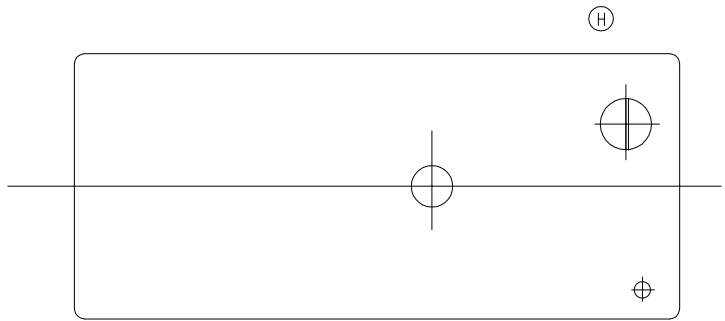
© COPYRIGHT - By TE Connectivity

REVISIONS

P	LTR	DESCRIPTION	DATE	DWN	APVD
	H	1.UPDATE TE LOGO 2.ADD LINE IDENTIFICATION 3.TERMINALS TOLERANCE CLARIFICATION 4.VENT HOLE CHANGE	ECO-12-005726	09-APR-12	D.L BH.Y
	H1	ADD NEW PN	ECO-17-000322	10-JAN-17	XR.L H.L.C
	H2	ADD SHEET 3/4, OZ-SH-105LM1F ADD 20A RATING	ECO-17-008000	12-JUL-17	XR.L T.K

D

D



Ⓜ

PART A

PART B



OZ-SS-124LM1F

24V

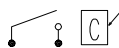


16A 240V~ Res.  
1/2HP 120V~



16A 240V~

C:MADE IN CHINA



LOT NO.

CHARACTER(A TO Z)  
FOR LINE IDENTIFIER

C

C

20.6

B

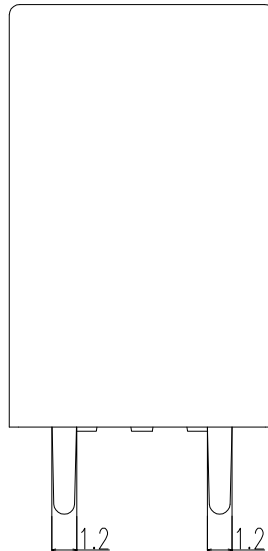
B

4

0.6

0.3

0.3



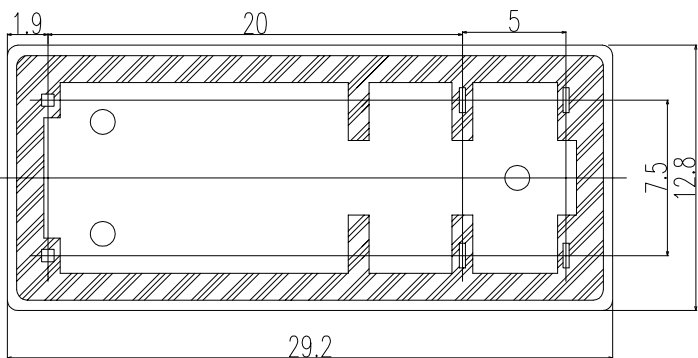
L TYPE:

Ⓜ	1-2071269-2	OZ-SS-112LM1F	12V	OZ-SS-112LM1F	h
	1461868-7	OZ-SS-109LM1F	9V	OZ-SS-109LM1F	g
	1461868-5	OZ-SS-112LM1F	12V	OZ-SS-112LM1F	e
Ⓜ	1461868-8	OZ-SH-105LM1F	5V	OZ-SH-105LM1F	d
	1461868-3	OZ-SH-124LM1F	24V	OZ-SH-124LM1F	c
	1461868-2	OZ-SS-124LM1F	24V	OZ-SS-124LM1F	b
	1461868-1	OZ-SH-112LM1F	12V	OZ-SH-112LM1F	a
	PART NO	DESCRIPTION	PART B	PART A	ITEM

RELAY TYPE

A

A



THIS DRAWING IS A CONTROLLED DOCUMENT.

DWN 09APR2012  
LIU.XIANGREN

CHK  
CHEN.TIMOTHY

APVD  
ZHANG.SUNNY

PRODUCT SPEC

APPLICATION SPEC

WEIGHT

0

CUSTOMER DRAWING



TE Connectivity

OZ CUSTOMER DRAWING

SIZE CAGE CODE DRAWING NO RESTRICTED TO

A3 00779 C=1461868

SCALE 4:1 SHEET 1 OF 4 REV H2

DIMENSIONS:	TOLERANCES UNLESS OTHERWISE SPECIFIED.
mm	
0 PLC	±
1 PLC	±
2 PLC	±
3 PLC	±
4 PLC	±
ANGLES	±

MATERIAL FINISH

4

3

2

1

THIS DRAWING IS UNPUBLISHED.

RELEASED FOR PUBLICATION

ALL RIGHTS RESERVED.

© COPYRIGHT - By TE Connectivity

REVISIONS

P	LTR	DESCRIPTION	DATE	DWN	APVD
-	-	SEE SHEET 1	-	-	-

(H)  
 (H)  
 PART A  
 PART B  
**TE**  
**ORUS**  
**C&C**  
 0Z-SS-112DM1F  
 12V  
 16A 240V~ Res.  
 1/2HP 120V~  
 16A 240V~  
 C:MADE IN CHINA  
 LOT NO.  
 OEG  
 CHARACTER(A TO Z) FOR LINE IDENTIFIER (H)  
 20.6  
 4  
 0.6  
 0.3  
 0.3  
 1.9  
 20  
 5  
 7.5  
 12.8  
 29.2

D TYPE:

1461868-6	0Z-SS-112DM1F	12V	0Z-SS-112DM1F	f
PART NO	DESCRIPTION	PART B	PART A	ITEM

RELAY TYPE

THIS DRAWING IS A CONTROLLED DOCUMENT.

DWN 09APR2012

LIU.XIANGREN

CHK CEHN.TIMOTHY

APVD ZHANG.SUNNY

PRODUCT SPEC

APPLICATION SPEC

WEIGHT 0

CUSTOMER DRAWING

SCALE 4:1

SHEET 2 OF 4

REV H2

RESTRICTED TO

SIZE A3

CAGE CODE 00779

DRAWING NO C=1461868

DIMENSIONS:

mm

TOLERANCES UNLESS OTHERWISE SPECIFIED.

0 PLC ±

1 PLC ±

2 PLC ±

3 PLC ±

4 PLC ±

ANGLES ±

MATERIAL

FINISH

OZ CUSTOMER DRAWING

1470-19 (1/15)

4

3

2

1

THIS DRAWING IS UNPUBLISHED.

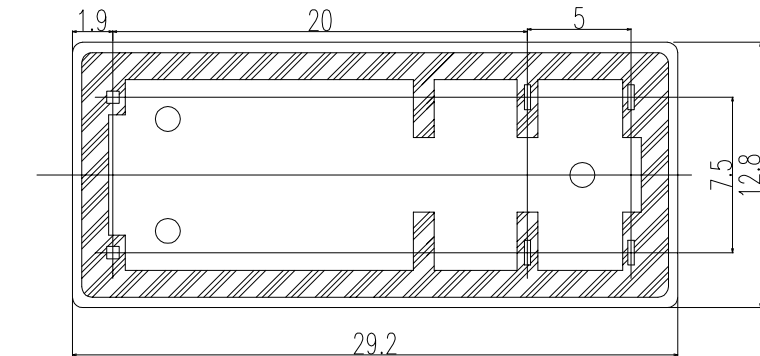
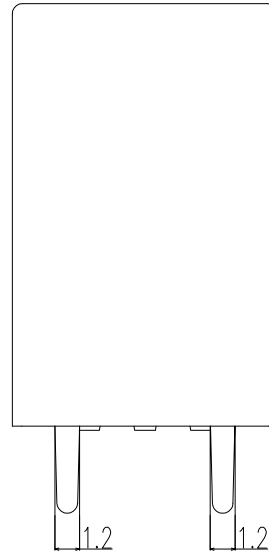
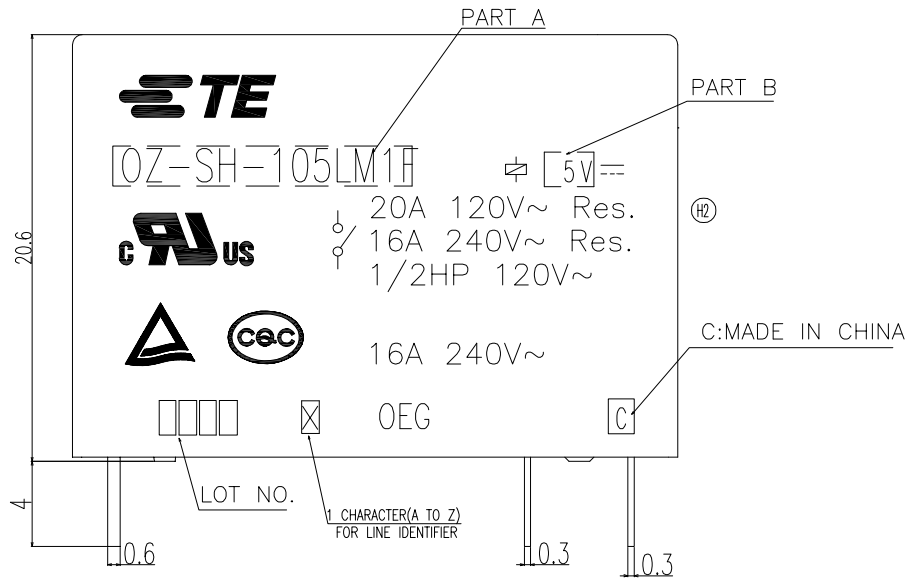
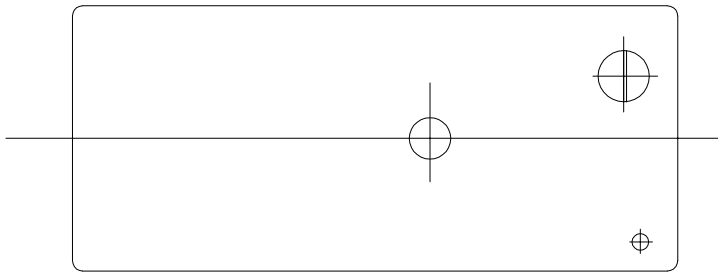
RELEASED FOR PUBLICATION

ALL RIGHTS RESERVED.

© COPYRIGHT - By TE Connectivity

REVISIONS

P	LTR	DESCRIPTION	DATE	DWN	APVD
-	-	SEE SHEET 1	-	-	-



④	1461868-8	OZ-SH-105LM1F	5v	OZ-SH-105LM1F	d
	PART NO	DESCRIPTION	PART B	PART A	ITEM

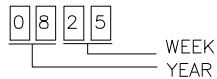
RELAY TYPE

THIS DRAWING IS A CONTROLLED DOCUMENT.		DWN LIU.XIANGREN 09APR2012	<b>STE</b> TE Connectivity	
		CHK CHEN.TIMOTHY		
DIMENSIONS: mm		APVD ZHANG.SUNNY	NAME -	
TOLERANCES UNLESS OTHERWISE SPECIFIED:		PRODUCT SPEC -	APPLICATION SPEC -	
<ul style="list-style-type: none"> <li>0 PLC ± -</li> <li>1 PLC ± -</li> <li>2 PLC ± -</li> <li>3 PLC ± -</li> <li>4 PLC ± -</li> <li>ANGLES ± -</li> </ul>		WEIGHT 0.000000	SIZE A3	CAGE CODE 00779
MATERIAL -		FINISH -	DRAWING NO C=1461868	
CUSTOMER DRAWING			RESTRICTED TO -	SCALE 4:1
			SHEET 3 OF 4	REV H2

THIS DRAWING IS UNPUBLISHED. RELEASED FOR PUBLICATION  
 © COPYRIGHT - By TE Connectivity ALL RIGHTS RESERVED.

REVISIONS				
P	LTR	DESCRIPTION	DATE	APVD
-	-	SEE SHEET 1	-	-

NOTES:  
 1.LOT NO. SYSTEM AS FOLLOWING:



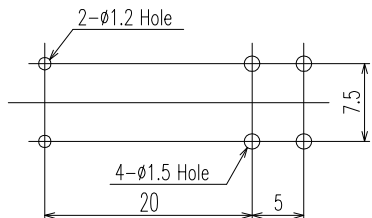
2.GENERAL TOLERANCE AS FOLLOWING:

TOLERANCE	
0~0.99mm	±0.1
1mm~2.99mm	±0.2
3mm MIN.	±0.3

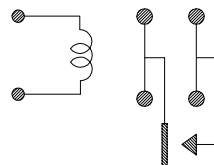
3.TERMINAL DIMENSION IS NOT INCLUDING SOLDER TIP.

Ⓜ 4.FOR THE TIN-PLATING OF THE PINS:  
 +0.1mm FOR WIDTH,THICKNESS AND DIAMETER.  
 +0.5mm FOR LENGTH.

CIRCUIT DIAGRAM(2/1)  
 (BOTTOM VIEW)



DRILLING DIAGRAM  
 (BOTTOM VIEW)



		EPOXY RESIN	SEAL	15
		Cu ALLOY	HINGE SPRING	14
		PBT	CASE	13
		MW79	MAGNETIC WIRE	12
UL94V-0		PET	BASE	11
UL94V-0		PA66 NYLON(CLASS F)	BOBBIN	10
	SOLDER DIP	Cu ALLOY	COIL TERMINAL	9
UL94V-0		PPS	CARD	8
		Ag ALLOY	MOVABLE CONTACT	7
		Ag ALLOY	STATIONARY CONTACT	6
	SOLDER DIP	Cu ALLOY	MOVABLE SPRING	5
	SOLDER DIP	Cu ALLOY	NO-TERMINAL	4
	Ni PLATED	STEEL	CORE	3
	Ni PLATED	STEEL	ARMATURE	2
	Ni PLATED	STEEL	YOKE	1
INCOMBUSTIBILITY	TREATMENT	MATERIAL	DESCRIPTION	ITEM

THIS DRAWING IS A CONTROLLED DOCUMENT.		DWN LIU.XIANGREN	TE Connectivity	
		CHK CHEN.TIMOTHY		
DIMENSIONS: mm		APVD ZHANG.SUNNY	NAME -	
		PRODUCT SPEC -	OZ CUSTOMER DRAWING	
TOLERANCES UNLESS OTHERWISE SPECIFIED: 0 PLC ± - 1 PLC ± - 2 PLC ± - 3 PLC ± - 4 PLC ± - ANGLES ± -		APPLICATION SPEC -	SIZE A3	CAGE CODE 00779
MATERIAL -	FINISH -	WEIGHT 0	DRAWING NO C=1461868	RESTRICTED TO -
CUSTOMER DRAWING			SCALE 4:1	SHEET 4 OF 4
			REV H2	

## X-ON Electronics

Largest Supplier of Electrical and Electronic Components

*Click to view similar products for [General Purpose Relays](#) category:*

*Click to view products by [TE Connectivity](#) manufacturer:*

Other Similar products are found below :

[PCN-105D3MH,000](#) [59641F200](#) [5JO-1000CD-SIL](#) [5X827E](#) [5X837F](#) [5X840F](#) [5X842F](#) [5X848E](#) [LY2N-AC120](#) [LY2S-AC220/240](#) [LY2-US-AC120](#) [LY2-US-DC24](#) [LY3-US-AC120](#) [LY4F-UA-DC12](#) [LY4F-UA-DC24](#) [LY4F-US-AC120](#) [LY4F-US-AC240](#) [LY4F-US-DC24](#) [LY4F-VD-AC110](#) [LYQ20DC12](#) [M115C60](#) [M115N010](#) [M115N0150](#) [603-12D](#) [60HE1-5DC](#) [60HE2S-12DC](#) [61211T0B4](#) [61212T400](#) [61222Q400](#) [61243B600](#) [61243C500](#) [61243Q400](#) [61311BOA2](#) [61311BOA6](#) [61311BOA8](#) [61311C0A2](#) [61311COA1](#) [61311COA6](#) [61311F0A2](#) [61311QOA1](#) [61311QOA4](#) [61311T0D6](#) [61311TOA6](#) [61311TOA7](#) [61311TOB3](#) [61311TOB4](#) [61311U0A6](#) [61312Q600](#) [61312T400](#) [61312T600](#)