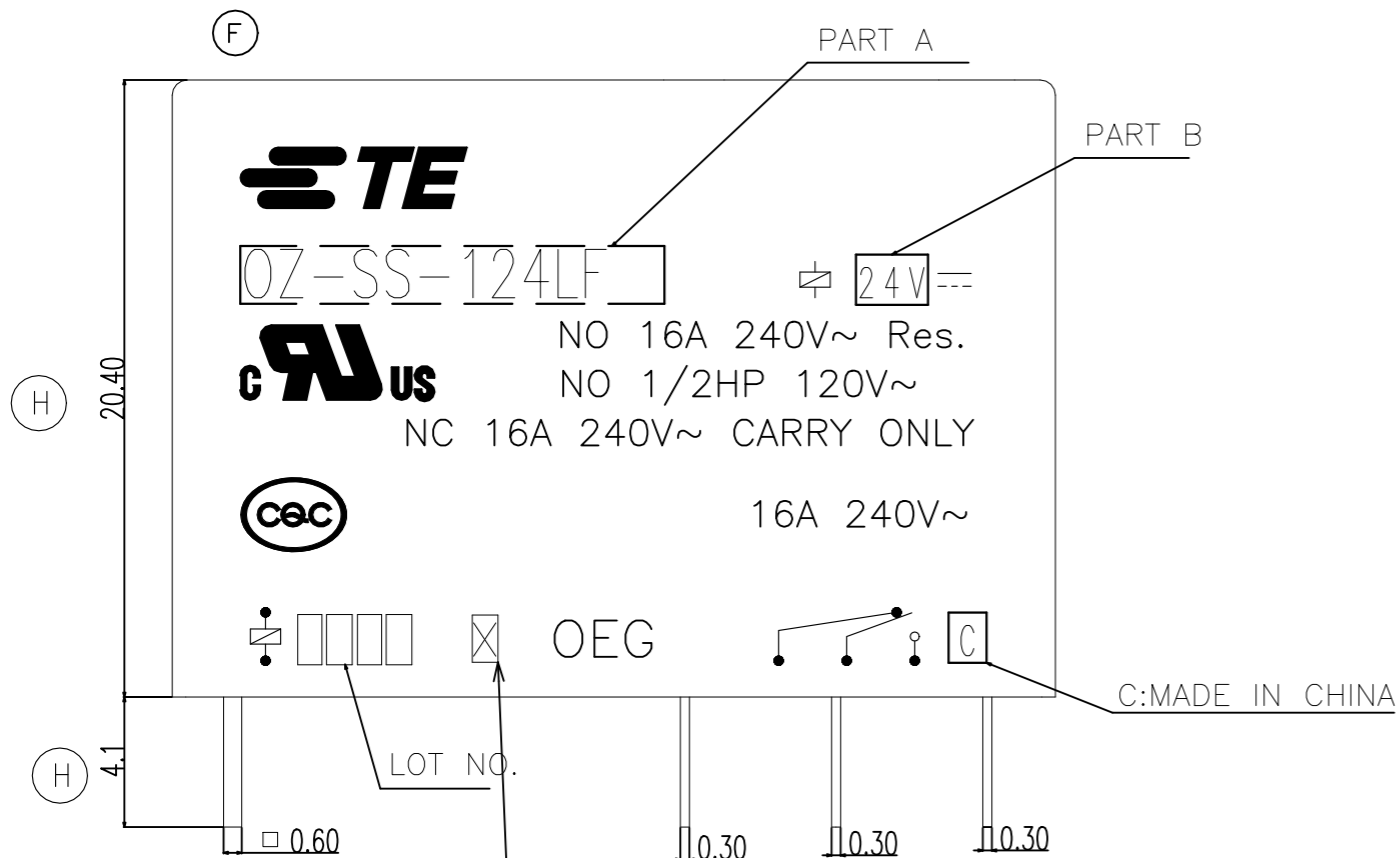
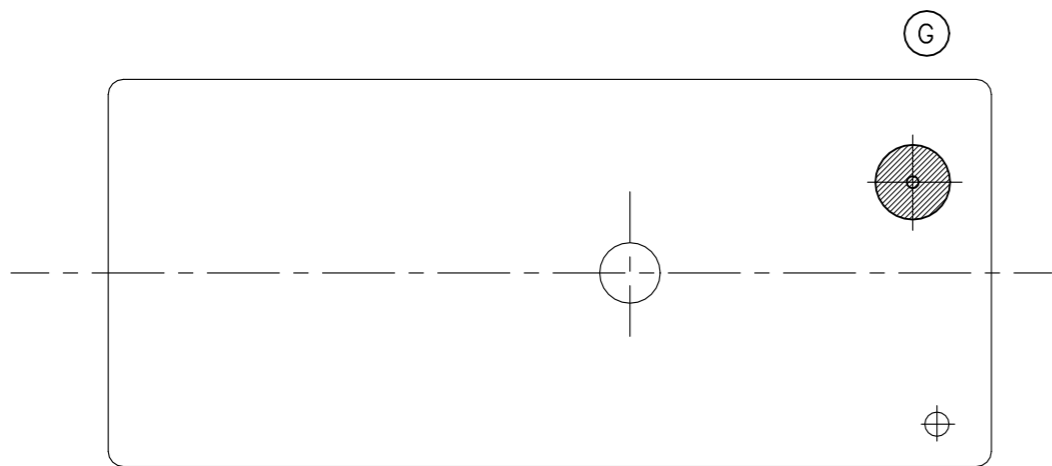
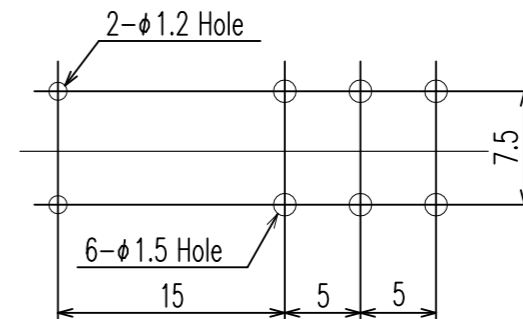


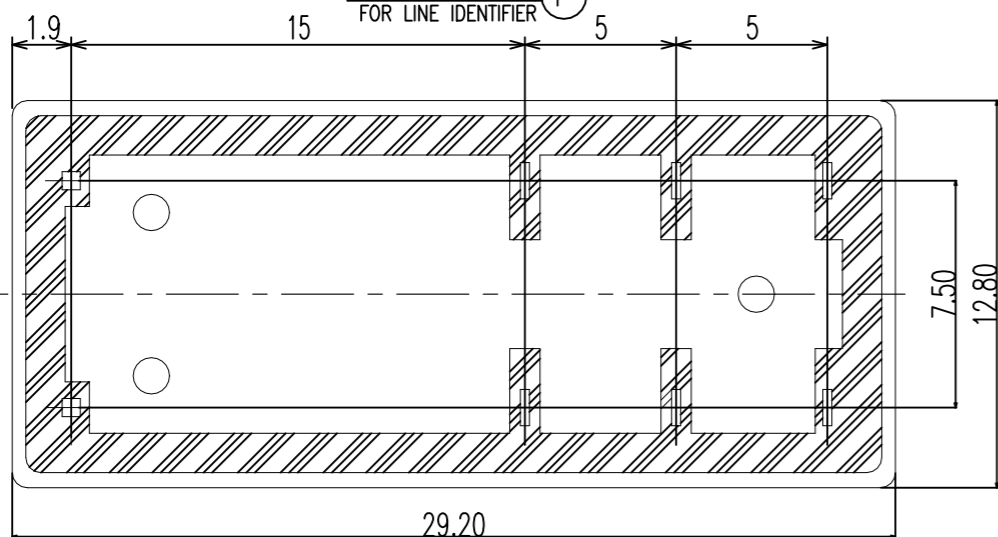
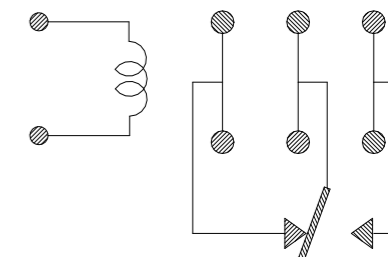
REVISIONS					
P	LTR	DESCRIPTION	DATE	DWN	APVD
	H	DIMENSION CHANGE	ECO-21-004260	10-JUN-21	XR.L K.T



DRILLING DIAGRAM(2/1)  
(BOTTOM VIEW)



CIRCUIT DIAGRAM  
(BOTTOM VIEW)

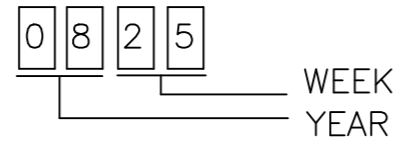


THIS DRAWING IS A CONTROLLED DOCUMENT.		DWN H.SASAKI	<b>STE</b> TE Connectivity Ltd.		
DIMENSIONS: mm		CHK N.FUNAYAMA			
TOLERANCES UNLESS OTHERWISE SPECIFIED:		APVD A.NAGAI	NAME		
0 PLC ± -		PRODUCT SPEC	OZ CUSTOMER DRAWING		
1 PLC ± -		APPLICATION SPEC	SIZE	CAGE CODE	DRAWING NO
2 PLC ± -		WEIGHT	A3	00779	C-1461869
3 PLC ± -		CUSTOMER DRAWING	SCALE 4:1		SHEET 1 OF 2
4 PLC ± -			REV H		
ANGLES ± -					
FINISH					

REVISIONS				
P	LTR	DESCRIPTION	DATE	APVD
-	-	SEE SHEET 1	-	-

NOTES:

1.LOT NO. SYSTEM AS FOLLOWING:



2.GENERAL TOLERANCE AS FOLLOWING:

TOLERANCE	
0~0.99mm	±0.1
1mm~2.99mm	±0.2
3mm MIN.	±0.3

3.TERMINAL DIMENSION IS NOT INCLUDING SOLDER TIP.

- ④ 4.FOR THE TIN-PLATING OF THE PINS:  
+0.1mm FOR WIDTH,THICKNESS AND DIAMETER.  
+0.5mm FOR LENGTH.

1461869-5	OZ-SS-109LF	9V	OZ-SS-109LF	e
1461869-4	OZ-SH-112LF	12V	OZ-SH-112LF	d
1461869-3	OZ-SS-112LF	12V	OZ-SS-112LF	c
1461869-2	OZ-SH-124LF	24V	OZ-SH-124LF	b
1461869-1	OZ-SS-124LF	24V	OZ-SS-124LF	a
TE PART NO	EC TYPE NAME	PART B	PART A	ITEM

RELAY TYPE				
INCOMBUSTIBILITY	TREATMENT	MATERIAL	DESCRIPTION	ITEM
		EPOXY RESIN	SEAL	16
		Cu ALLOY	HINGE SPRING	15
		PBT	CASE	14
		MW79	MAGNETIC WIRE	13
UL94V-0		PET	BASE	12
UL94HB		PA66 NYLON	BOBBIN	11
	SOLDER DIP	Cu ALLOY	COIL TERMINAL	10
UL94V-0		PPS	CARD	9
		Ag ALLOY	MOVABLE CONTACT	8
		Ag ALLOY	STATIONARY CONTACT	7
	SOLDER DIP	Cu ALLOY	NC-TERMINAL	6
	SOLDER DIP	Cu ALLOY	MOVABLE SPRING	5
	SOLDER DIP	Cu ALLOY	NO-TERMINAL	4
	Ni PLATED	STEEL	CORE	3
	Ni PLATED	STEEL	ARMATURE	2
	Ni PLATED	STEEL	YOKE	1

THIS DRAWING IS A CONTROLLED DOCUMENT.		DWN H.SASAKI	TE Connectivity Ltd.		
DIMENSIONS: mm		CHK N.FUNAYAMA			
		APVD A.NAGAI	NAME		
TOLERANCES UNLESS OTHERWISE SPECIFIED:		PRODUCT SPEC	OZ CUSTOMER DRAWING		
0 PLC ± -		APPLICATION SPEC	SIZE	CAGE CODE	DRAWING NO
1 PLC ± -		WEIGHT	A3	00779	C-1461869
2 PLC ± -		RESTRICTED TO			
3 PLC ± -		CUSTOMER DRAWING			
4 PLC ± -		SCALE 4:1 SHEET 2 OF 2 REV H			
ANGLES ± -					
FINISH					
MATERIAL					

## X-ON Electronics

Largest Supplier of Electrical and Electronic Components

*Click to view similar products for [General Purpose Relays](#) category:*

*Click to view products by [TE Connectivity](#) manufacturer:*

Other Similar products are found below :

[PCN-105D3MH,000](#) [59641F200](#) [LY1SAC110120](#) [5X827E](#) [5X837F](#) [5X840F](#) [5X842F](#) [5X848E](#) [LY2N-AC120](#) [LY2S-AC220/240](#) [LY2-US-AC120](#) [LY3-US-AC120](#) [LY4F-UA-DC12](#) [LY4F-UA-DC24](#) [LY4F-US-AC120](#) [LY4F-US-AC240](#) [LY4F-US-DC24](#) [LY4F-VD-AC110](#) [LYQ20DC12](#) [M115C60](#) [M115N010](#) [M115N0150](#) [6031007G](#) [603-12D](#) [61211T0B4](#) [61212T400](#) [61222Q400](#) [61243B600](#) [61243C500](#) [61243Q400](#) [61311BOA2](#) [61311BOA6](#) [61311BOA8](#) [61311C0A2](#) [61311COA1](#) [61311COA6](#) [61311F0A2](#) [61311QOA1](#) [61311QOA4](#) [61311T0D6](#) [61311TOA6](#) [61311TOA7](#) [61311TOB3](#) [61311TOB4](#) [61311U0A6](#) [61312Q600](#) [61312T400](#) [61312T600](#) [61313U200](#) [61313U400](#)