

THIS DRAWING IS UNPUBLISHED.

RELEASED FOR PUBLICATION

20

© COPYRIGHT 20

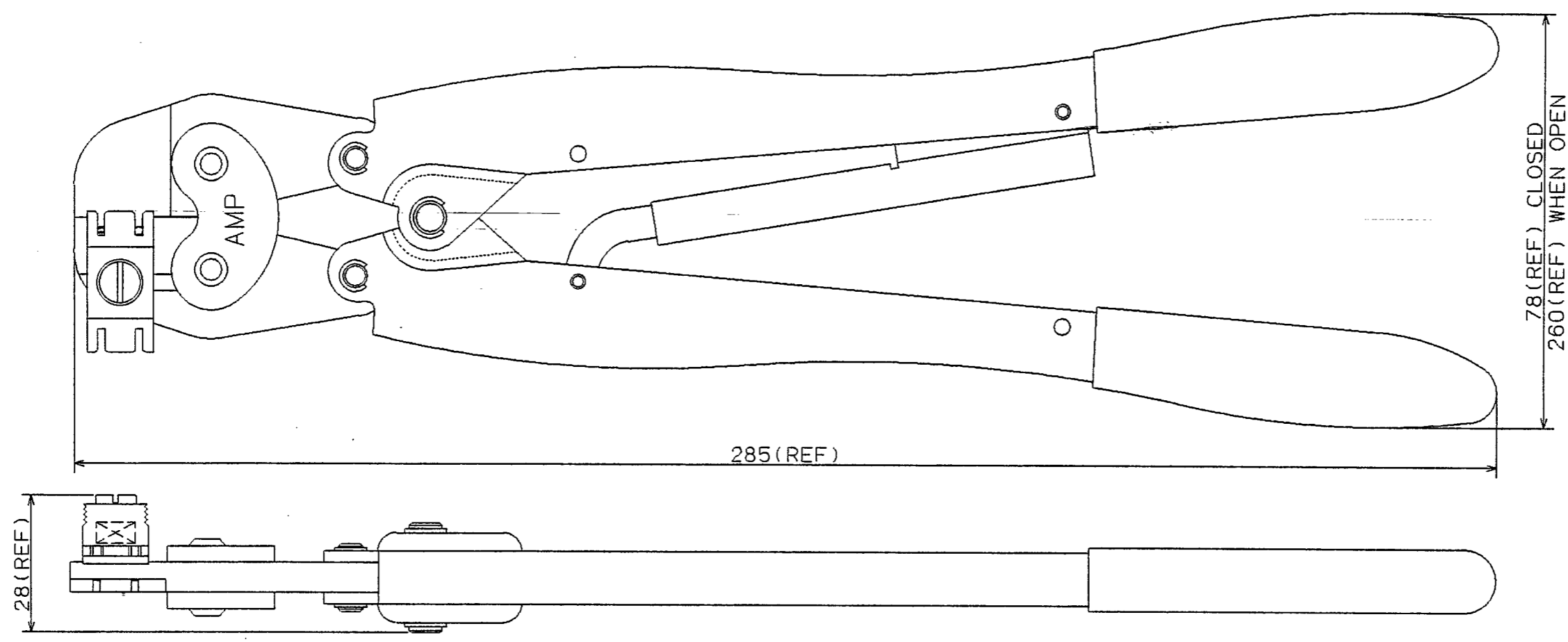
BY TYCO ELECTRONICS CORPORATION. ALL RIGHTS RESERVED.

LOC  
J

DIST  
-

REVISIONS

| P | LTR | DESCRIPTION              | DATE      | DWN | APVD |
|---|-----|--------------------------|-----------|-----|------|
|   | A   | REDRAWN W/R FJ00-2119-02 | 04-Oct-02 | J.K | S.Y  |
|   |     |                          |           |     |      |
|   |     |                          |           |     |      |



| CRIMP SYMBOL | TERMINAL NO                  | WIRE SIZE AWG(mm <sup>2</sup> ) | INS RANGE (mm) | TERMINAL CH(mm) |        | IS NO    | APPL SPEC    | WEIGHT (g) |
|--------------|------------------------------|---------------------------------|----------------|-----------------|--------|----------|--------------|------------|
|              | L.P.                         |                                 |                | WIRE            | INS    |          |              |            |
| 圧着部記号        | 適用端子型番                       | 電線サイズ                           | 絶縁被覆径          | 圧着高さ            |        | 取扱説明書番号  | 取付適用規格       | 重量         |
|              | ハ"ラ状                         |                                 |                | 芯線部             | 被覆部    |          |              |            |
| 22-20        | 1674075-1                    | #22-20 (0.37-0.56)              | -              | 0.84-1.00       | -      | 411-5981 | 114-5032     | 530        |
| INS          | 1318143-1/-2<br>1376607-1/-2 | -                               | 1.1-1.6        | -               | 1.6REF |          | 5250<br>5291 |            |

THIS DRAWING IS A CONTROLLED DOCUMENT FOR TYCO ELECTRONICS CORPORATION. IT IS SUBJECT TO CHANGE AND THE CONTROLLING ENGINEERING ORGANIZATION SHOULD BE CONTACTED FOR THE LATEST REVISION.

|                |  |                      |   |
|----------------|--|----------------------|---|
| DIMENSIONS: mm | TOLERANCES UNLESS OTHERWISE SPECIFIED: | DWN J.KOGA 04-Oct-02 | Tyco Electronics AMP K.K. Kawasaki, Japan                         |
|                | 0 PLC ±-                               | CHK J.KOGA 04-Oct-02 |   |
|                | MATERIAL                               | FINISH               | APVD S.YABE 04-Oct-02   |
|                |  | PRODUCT SPEC         | NAME DOUBLE ACTION HAND TOOL (025 G-Tab, 025 Tab and Rec Contact) |
|                |  | APPLICATION SPEC     | SIZE CAGE CODE DRAWING NO RESTRICTED TO                           |
|                |  | WEIGHT               | A3 00779 C=1463260-1  |
|                |  | CUSTOMER DRAWING     | SCALE SHEET OF REV A  |

## X-ON Electronics

Largest Supplier of Electrical and Electronic Components

*Click to view similar products for [Other Tools](#) category:*

*Click to view products by [TE Connectivity](#) manufacturer:*

Other Similar products are found below :

[CR-0AFL4--332K](#) [568681-1](#) [5800-0090](#) [58061-1](#) [59065-5](#) [59085](#) [00-8273-RDPP](#) [00-8729-WHPP](#) [593033](#) [593072](#) [593564100](#) [593575](#)  
[593593](#) [011349-000](#) [CRCW08052740FRT1](#) [LUC-012S070DSM](#) [LUC-018S070DSP](#) [LUC-024S105DSP](#) [599-2021-3-NME](#) [599-JJ-2021-03](#)  
[00-5080-YWPP](#) [00-9089-RDPP](#) [00-9300-RDPP](#) [CRCW2010331JR02](#) [601-JJ-06](#) [601-SPB](#) [601YSY](#) [602-JJ-03](#) [602SPB](#) [603-JJ-07-FP](#) [603-](#)  
[JJY-04](#) [M15570-25](#) [CRTN1013](#) [CS16](#) [6-1579014-0](#) [6203](#) [62200-5709](#) [6240-1](#) [M43435 TY 2 SZ 3 FIN B BLK](#) [M43435 TY 5 SZ 3 FIN C](#)  
[NAT](#) [M-5Z](#) [M6816](#) [M7298](#) [M7456](#) [M7976](#) [660-29ABT1](#) [662508-1](#) [CVHD-950X-93.333](#) [CW104-01X](#) [671-GP-04-KT39-73207](#)