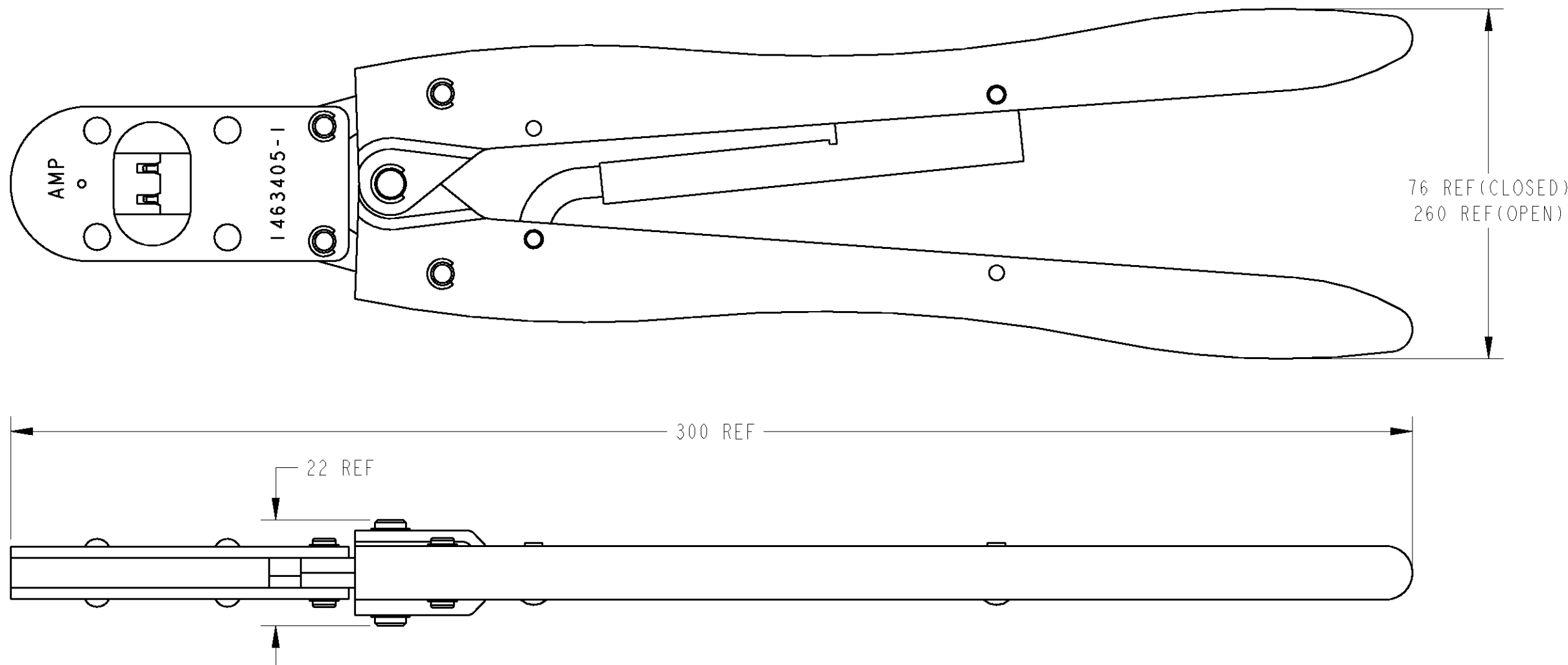


THIS DRAWING IS UNPUBLISHED. RELEASED FOR PUBLICATION 20
 © COPYRIGHT 20 BY TYCO ELECTRONICS CORPORATION. ALL RIGHTS RESERVED.

LOC	DIST	REVISIONS					
		P	LTR	DESCRIPTION	DATE	DWN	APVD
J	-	0		RELEASED FJCO-0300-03	27-Oct-03	J.K	S.Y

-1: AS SHOWN (本図)



CRIMP SYMBOL	TERMINAL NO STRIP	WIRE SIZE AWG (mm ²)	INS RANGE (mm)	TERMINAL CH (mm)		IS NO	APPL SPEC	WEIGHT (g)
				WIRE	INS			
圧着部記号	適用端子型番	電線サイズ"	絶縁被覆径	圧着高さ		取扱説明書番号	取付適用規格	重量
	連鎖状			芯線部	被覆部			
A	917308-1 (REC)	#22 (0.37)	1.4-1.5	0.80-0.95	1.8REF	411-78001	114-5193	525
B	917309-1 (TAB)	#20 (0.56)	1.6-1.7	0.92-1.07	1.9REF			

<small>THIS DRAWING IS A CONTROLLED DOCUMENT FOR TYCO ELECTRONICS CORPORATION. IT IS SUBJECT TO CHANGE AND THE CONTROLLING ENGINEERING ORGANIZATION SHOULD BE CONTACTED FOR THE LATEST REVISION.</small>		DWN J.KOGA 27-Oct-03 CHK J.Koga 27-Oct-03 APVD S.YABE 27-Oct-03	tyco Electronics	Tyco Electronics AMP K.K. Kawasaki, Japan
DIMENSIONS: mm 	TOLERANCES UNLESS OTHERWISE SPECIFIED: 0 PLC ±- 1 PLC ±- 2 PLC ±- 3 PLC ±- 4 PLC ±- ANGLES ±-	PRODUCT SPEC - APPLICATION SPEC - WEIGHT -	NAME STRAIGHT ACTION HAND TOOL (MINI MULTI LOCK CONTACT)	
MATERIAL	FINISH	CUSTOMER DRAWING	SIZE A3 CAGE CODE 00779 DRAWING NO ©1463405	RESTRICTED TO - SCALE - SHEET 1 OF 1 REV 0

X-ON Electronics

Largest Supplier of Electrical and Electronic Components

Click to view similar products for [Hand Tools](#) category:

Click to view products by [TE Connectivity](#) manufacturer:

Other Similar products are found below :

[568681-1](#) [576786-2](#) [58061-1](#) [58176-1](#) [58177-1](#) [58177-2](#) [58284-1](#) [59085](#) [0031](#) [59737-5](#) [015-0339-000](#) [015-8755-001](#) [600-146-06](#) [M15570-25](#) [62200-5709](#) [6-304052-1](#) [63443-1002](#) [63443-3513](#) [63443-4025](#) [63443-7114](#) [6-354778-5](#) [6-354779-2](#) [63600-2995](#) [63810-0105](#) [M8196914-08](#) [662508-1](#) [662908-1](#) [679994-1](#) [679994-2](#) [68764-0001](#) [69001-0105](#) [69002-5525](#) [690124-7](#) [690191-1](#) [690191-4](#) [690518-2](#) [690696-1](#) [691409-4](#) [691667-1](#) [692006-2](#) [692655-7](#) [692776-1](#) [692776-4](#) [693077-3](#) [693077-4](#) [693597-1](#) [D20418-137](#) [D20419-189](#) [ET-LY10](#) [734041-1](#)