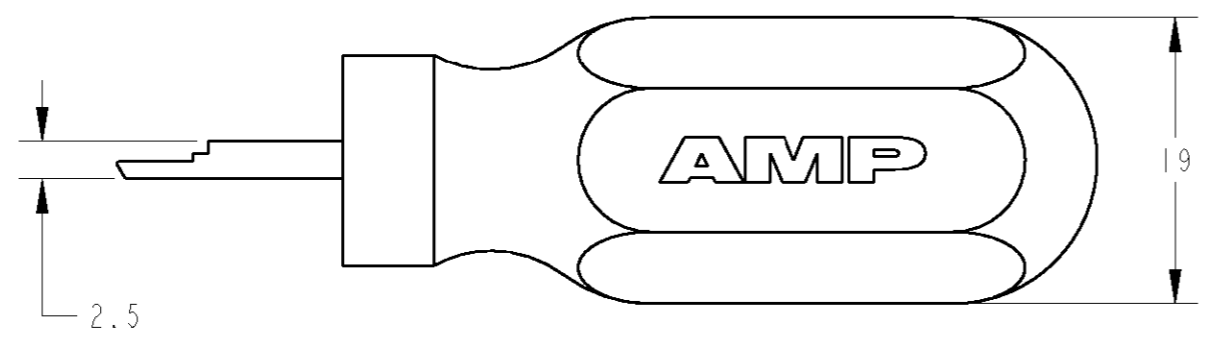
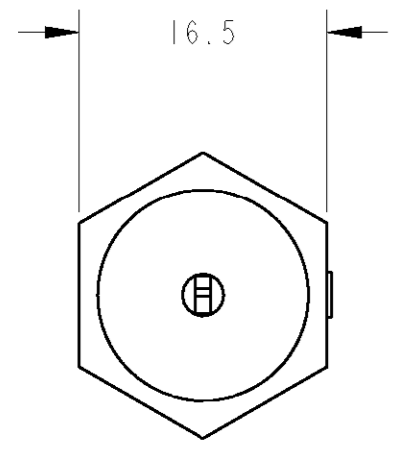
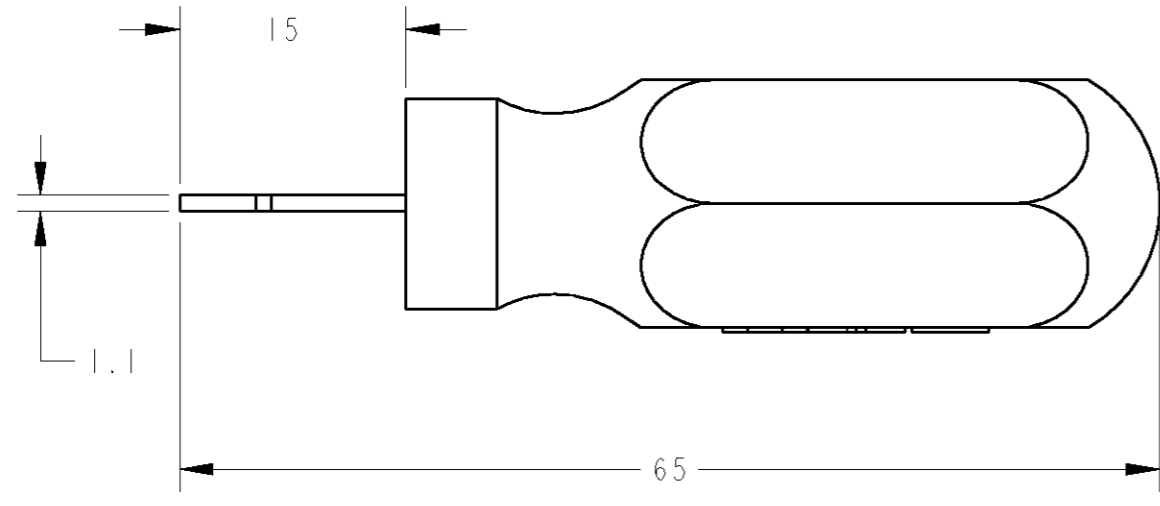


THIS DRAWING IS UNPUBLISHED. RELEASED FOR PUBLICATION 20
 © COPYRIGHT 20 BY TYCO ELECTRONICS CORPORATION. ALL RIGHTS RESERVED.

LOC	DIST	REVISIONS						
		P	LTR	DESCRIPTION	DATE	DWN	APVD	
J	-		0	released	FJ00-1897-01	27-Aug-01	J.K	S.Y



- 1 APPLICABLE PRODUCTS 通用製品
 TERMINAL (STRIP): 1376347-1, 1376348-1
 HOUSING: 1376388-1, 1-2, 2-3, 3-4 1376389-1, 1-2, 2-3, 3-4
 1376390-1, 1-2, 2-3, 3-4 1376391-1, 1-2, 2-3, 3-4
 1376392-1, 1-2, 2-3, 3-4 1376393-1, 1-2, 2-3, 3-4
- 2 INSTRUCTION SHEET NO: 411-78009
 取扱説明書番号 : 411-78009

THIS DRAWING IS A CONTROLLED DOCUMENT FOR TYCO ELECTRONICS CORPORATION
 IT IS SUBJECT TO CHANGE AND THE CONTROLLING ENGINEERING ORGANIZATION
 SHOULD BE CONTACTED FOR THE LATEST REVISION.

DIMENSIONS:	TOLERANCES UNLESS OTHERWISE SPECIFIED:
mm	
	0 PLC ±-
	1 PLC ±-
	2 PLC ±-
	3 PLC ±-
	4 PLC ±-
	ANGLES ±-
MATERIAL	FINISH

DWN J. KOGA	23-Aug-01	AMP Tyco Electronics AMP K.K. Kawasaki, Japan
CHK J. KOGA	23-Aug-01	
APVD S. YABE	23-Aug-01	
PRODUCT SPEC	-	NAME EXT-TOOL FOR 5.0 POWER KEY CONN.
APPLICATION SPEC	-	SIZE A3
WEIGHT	-	CAGE CODE 00779
CUSTOMER DRAWING	SCALE 2:1	DRAWING NO C-1463644-1
	SHEET 1	RESTRICTED TO -
	OF 1	REV 0

X-ON Electronics

Largest Supplier of Electrical and Electronic Components

Click to view similar products for [Extraction, Removal & Insertion Tools](#) category:

Click to view products by [TE Connectivity](#) manufacturer:

Other Similar products are found below :

[M8196914-08](#) [768211-2](#) [809-131](#) [844751-2](#) [8-59558-2](#) [91018-1](#) [12014013](#) [12093647](#) [1-21048-0](#) [R282867020](#) [12093078](#) [1-21048-6](#)
[12121897](#) [DCF.91.405.5LT](#) [1322](#) [15314260](#) [15350698](#) [15350707](#) [15430130](#) [1579018-4](#) [1643916-1](#) [1-679532-0](#) [1976593-3](#) [OUTEXT-0321](#)
[2-1579008-3](#) [2-1579008-4](#) [229694-7](#) [231106-1](#) [241469](#) [91040-3](#) [91040-7](#) [965004-000](#) [965069-000](#) [1738219-1](#) [ET-JL05-16](#) [FG 0300 146](#)
[3000](#) [FIT-6](#) [210S048](#) [2-1579007-9](#) [231879-1](#) [312138-3](#) [RJ11FODE](#) [356-162](#) [M8196914-10](#) [4-1579018-0](#) [430395-001](#) [483249-1](#) [5-](#)
[1579007-2](#) [5-1579007-9](#) [BPR10](#)