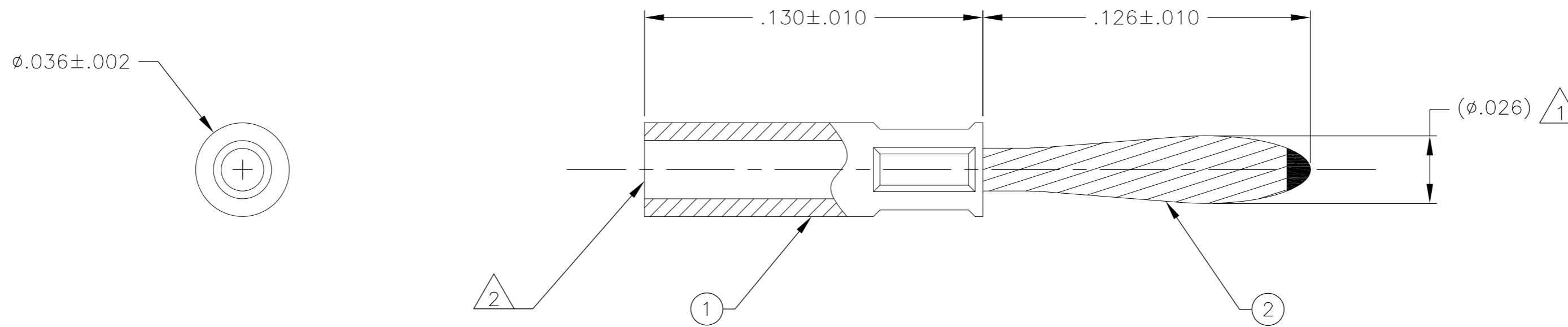


THIS DRAWING IS UNPUBLISHED. RELEASED FOR PUBLICATION
 © COPYRIGHT BY TYCO ELECTRONICS CORPORATION. ALL INTERNATIONAL RIGHTS RESERVED.

LOC		DIST		REVISIONS			
P	LTR	DESCRIPTION	DATE	DWN	APVD		
	AB	REDRAW, RELEASE AS BASE NUMBER CD	11 JUN 08	MKS	MKS		



ITEM	DESCRIPTION	MATERIAL	FINISH
2	PIN BUNDLE (8 STRAND)	UNS C22000	GOLD PLATE PER ASTM B488, TYPE II, 50 MICROINCHES MINIMUM, OR PER MIL-G-45204, TYPE II, CLASS 1
1	CONTACT SLEEVE	COPPER ALLOY	

- 1 TWIST-PIN "BULGE" SHALL ENABLE THE PIN CONTACT TO MEET THE ENGAGEMENT AND SEPARATION FORCES REQUIRED BY MIL-DTL-83513
- 2 CRIMP BARREL SHALL ACCOMMODATE 24AWG SOLID AND SMALLER WIRE, OR 26AWG STRANDED AND SMALLER WIRE

THIS DRAWING IS A CONTROLLED DOCUMENT.		DWN TONY LEE 8 OCT 99	Tyco Electronics Corporation Harrisburg, PA 17105-3608			
DIMENSIONS: INCHES		CHK A RENGIFO 8 OCT 99				
TOLERANCES UNLESS OTHERWISE SPECIFIED:		APVD M STORRY 11 JUN 08	NAME CONTACT, TWIST-CON TWIST PIN, TC-24P, MICRODOT 096-0524-0000			
0 PLC ± - 1 PLC ± - 2 PLC ± - 3 PLC ± - 4 PLC ± - ANGLES ± -		PRODUCT SPEC	SIZE A2	CAGE CODE 98278	DRAWING NO C=1467283	RESTRICTED TO
MATERIAL SEE TABULATION		FINISH SEE TABULATION	WEIGHT -	SCALE 24:1	SHEET 1 of 1	REV AB
CUSTOMER DRAWING						

1467283

X-ON Electronics

Largest Supplier of Electrical and Electronic Components

Click to view similar products for [TE Connectivity](#) manufacturer:

Other Similar products are found below :

[D38999/24FJ4AN](#) [570416-000](#) [CLTEQ-M81CE-SSRELAY-4-20V](#) [4-1195131-0](#) [650069-000](#) [SMD100-2](#) [358838-000](#) [CB-1022B-78](#)
[RM707012](#) [RP410012](#) [MMS42](#) [1-640426-8](#) [2EDL4CM](#) [DTS20W19-11PD-3028-LC](#) [RM202615](#) [NC6-P104-06](#) [MSPS103B](#) [DTS26F21-](#)
[41HE-LC](#) [DTS26F21-41AE](#) [DTS26F21-41PE-LC](#) [DTS26F21-11SE-3028-LC](#) [30DCB6](#) [1932144-1](#) [293545-4](#) [LVR125S](#) [MS27466T25F4PB](#)
[CKB-38-78010](#) [TR04AI-TINELLOCKRING](#) [1206SFF150F/63-2](#) [D38999/20JB35HA](#) [TE1500A2R2J](#) [D38999/20WC8BB](#) [DTS24F19-11SC-](#)
[3028-LC](#) [D38999/24WG11HA](#) [D38999/24WG11HN](#) [MS27467T21F11H](#) [DJT16E21-11HA](#) [MS27467T21F35J](#) [MS27467T21F11J](#)
[MS27467T21F16H-LC](#) [MS27467T21F35H](#) [MS27467T21F41H-LC](#) [1206SFH150F/24-2](#) [RP330024](#) [DJT16E21-11PA-LC](#) [DJT16E21-11HA-](#)
[LC](#) [DJT16E21-11AA](#) [MS27467T21B11JA](#) [DJT16E21-11JA](#) [MS27467T21B11JA-LC](#)