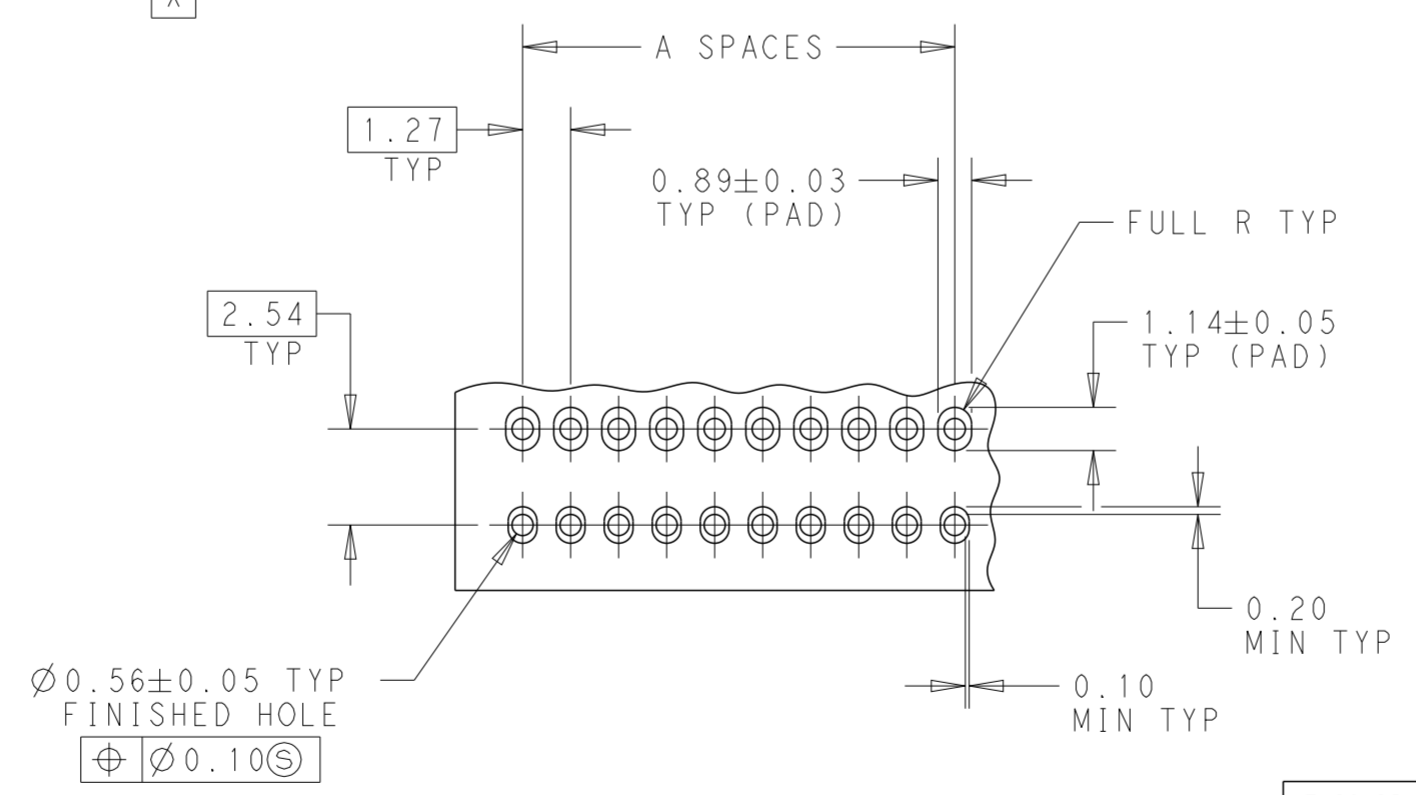
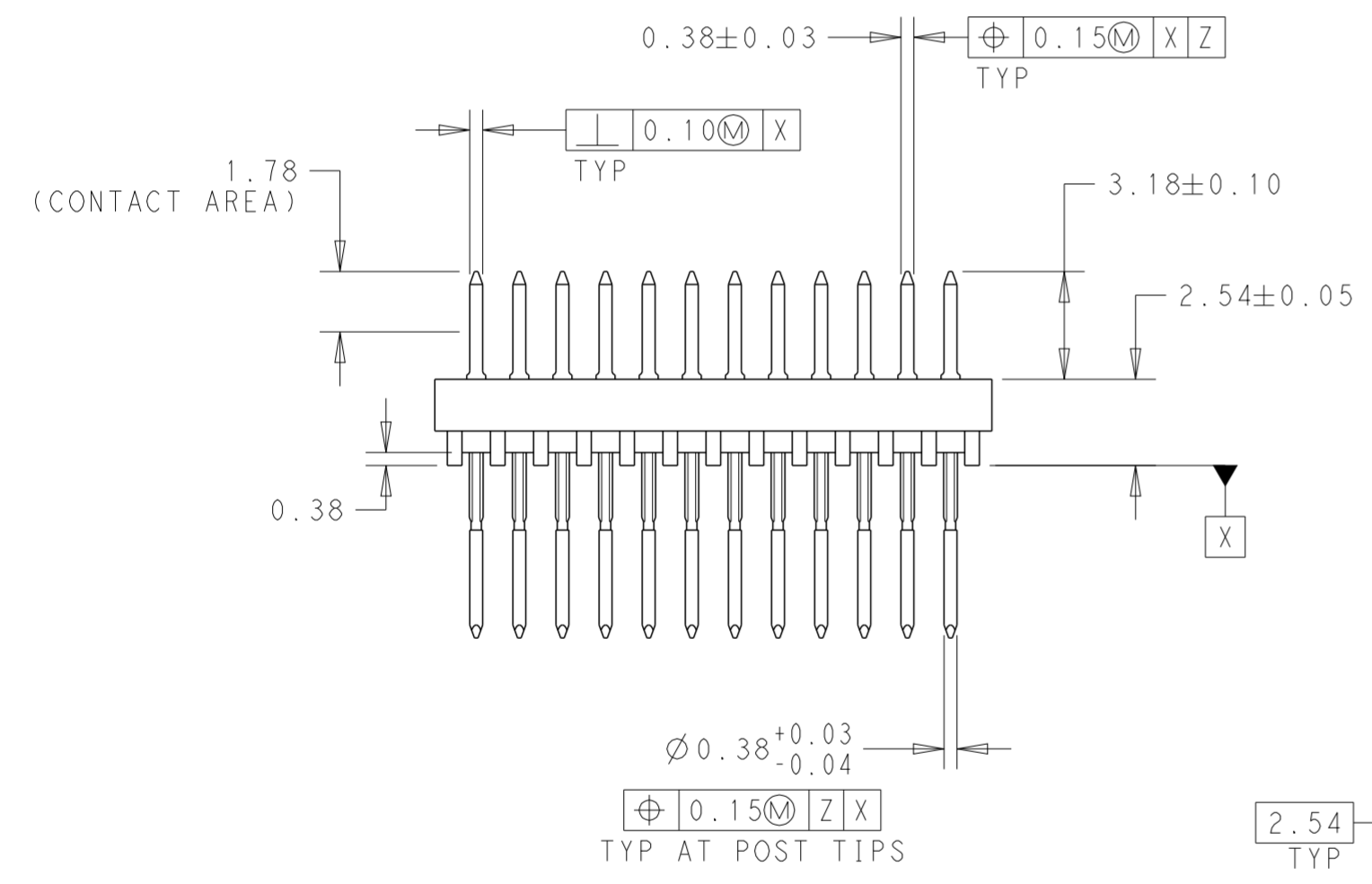
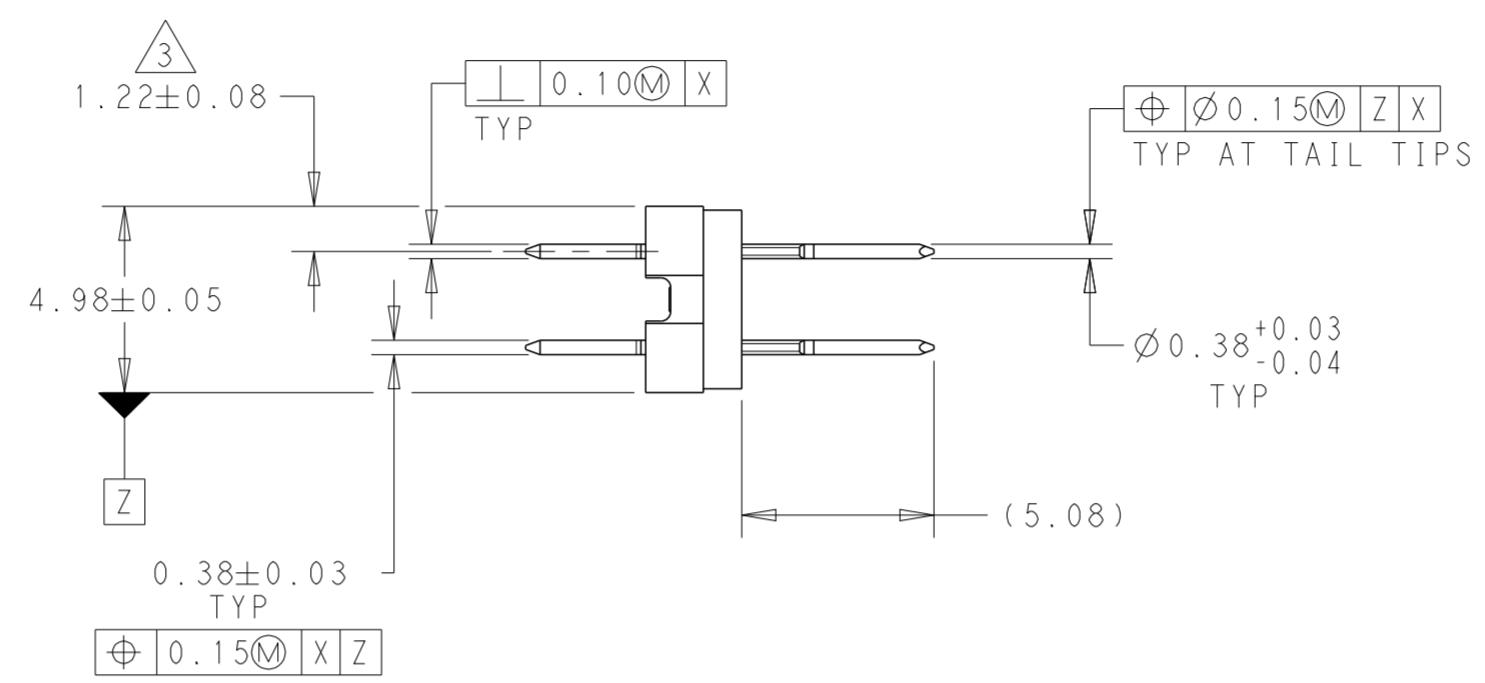
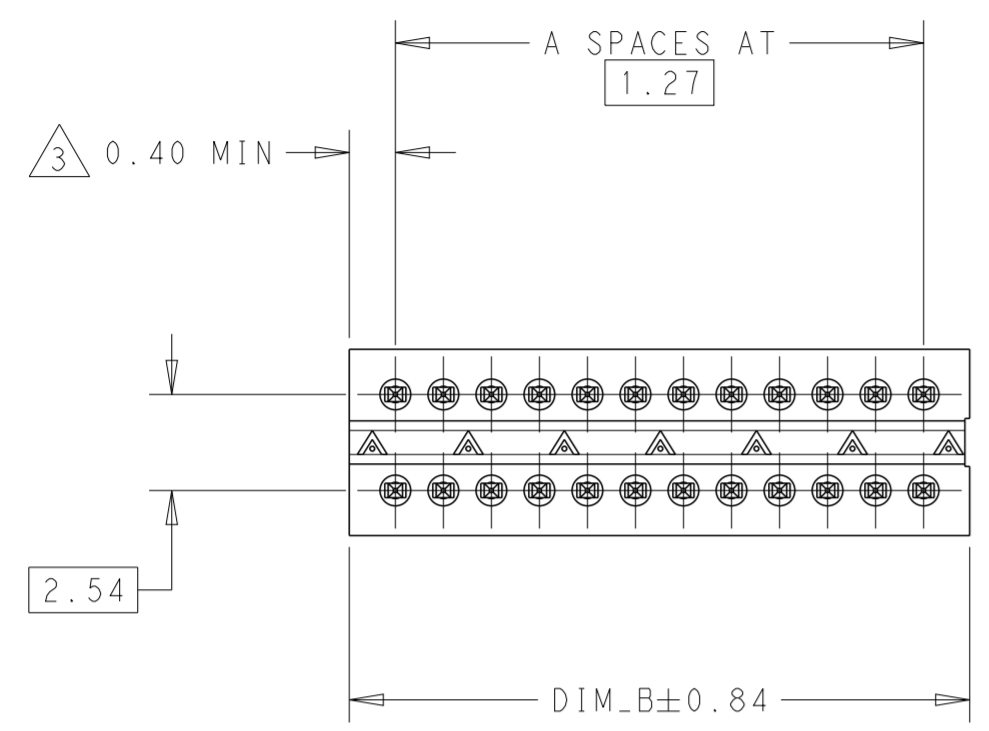
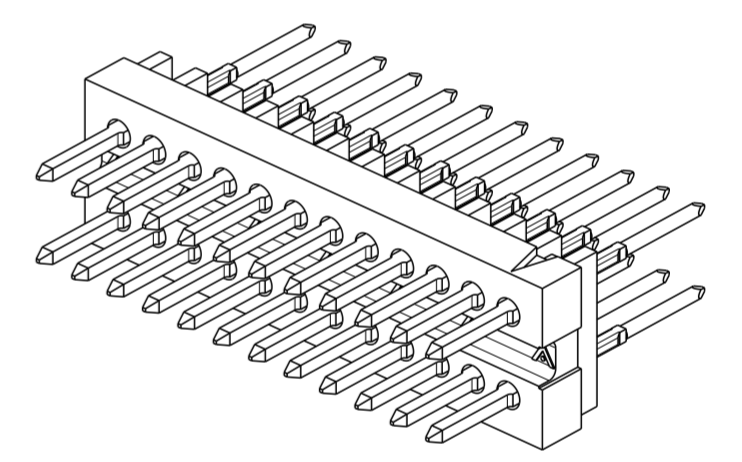


THIS DRAWING IS UNPUBLISHED. RELEASED FOR PUBLICATION 20
 © COPYRIGHT 20 BY - ALL RIGHTS RESERVED.

REVISIONS				
P	LTR	DESCRIPTION	DATE	APVD
D		REDRAWN/REVISED PER ECO-17-001756	13NOV2017	GR JO



- 1. ENTIRE CONTACT PLATED WITH 0.76µm GOLD OVER 1.27µm MIN. NICKEL
- 2. NOTE DELETED
- 3. THE NOTED DIMENSIONS APPLY AT THE INTERSECTION OF THE POST AND HOUSING.
- 4. FINISH: 0.03µm MIN GOLD ON ENTIRE CONTACT. UNDER PLATING TO BE 1.27µm NICKEL ON ENTIRE CONTACT.
- 5. NOTE DELETED
- 6. NOTE DELETED
- 7. MATERIAL: HOUSING: LCP, COLOR-BLACK CONTACT: COPPER ALLOY



4	26.57	19	40	2-146744-3
	8.79	5	12	2-146744-2
	16.4	11	24	2-146744-1
1	26.57	19	40	146744-3
	8.79	5	12	146744-2
	16.4	11	24	146744-1
FINISH	DIM_B	A SPACES	NO OF POSN	PART NUMBER

THIS DRAWING IS A CONTROLLED DOCUMENT.

DIMENSIONS:	TOLERANCES UNLESS OTHERWISE SPECIFIED:	DWN	13NOV2017
mm	0 PLC ±	G. RAMESH	13NOV2017
	1 PLC ±0.3	CHK	J. OLSON
	2 PLC ±0.13	APVD	J. OLSON
	3 PLC ±	PRODUCT SPEC	108-1093
	4 PLC ±	APPLICATION SPEC	114-25031
	ANGLES ±	WEIGHT	-
	FINISH ±0.5°	CUSTOMER DRAWING	SCALE 5:1 SHEET 1 OF 1 REV D
MATERIAL	SEE TABLE	TE Connectivity NAME: HEADER ASSEMBLY, VERTICAL, UNSHROUDED, AMPMODU SYSTEM 50 SIZE: A2 CAGE CODE: 00779 DRAWING NO: C-146744	

X-ON Electronics

Largest Supplier of Electrical and Electronic Components

Click to view similar products for [Board to Board & Mezzanine Connectors](#) category:

Click to view products by [TE Connectivity](#) manufacturer:

Other Similar products are found below :

[589158040000018](#) [FCN-230C068-11](#) [FCN-268F012-G/BD](#) [FCN-268F036-G/BD](#) [FCN-268M012-G/0D](#) [FCN-268M024-G/1D](#) [FCN-723J004/1](#) [MIS-048-01-F-D-DP-K](#) [832-10-034-10-001000](#) [FX4C-80S-1.27DSA](#) [FCN-214Q030-G/0](#) [FCN-234P048-G/0](#) [FCN-235D050-G/C](#) [210-93-314-41-105000](#) [2-22603-0](#) [MDF7-40DP-2.54DSA\(55\)](#) [AXG720047](#) [5031084030](#) [MIT-114-03-F-D-K](#) [55323-1519](#) [DF33-2P-3.3DSA\(24\)](#) [YFT-20-05-H-03-SB-K](#) [503308-3040](#) [026-6203-PDB](#) [027-6203-PDB](#) [069159702701000](#) [10123981-102LF](#) [101A10019X](#) [55650-0588-C](#) [68684-306](#) [75140-7012](#) [589159005003045](#) [194261-1](#) [FCN-268F024-G0D](#) [10124054-515LF](#) [68685-603](#) [8-1616154-3](#) [MIS-019-01-F-D](#) [589159005002045](#) [541371078](#) [IL-WX-10PB-HF-B-E1000E](#) [FCN-268M024-G/3D](#) [20021832-06016C1LF](#) [KX15-20KLDL-E1000E](#) [MDF7-16DP-2.54DSA\(55\)](#) [AXE810124](#) [FCN-214J100-G/0](#) [FCN-230C068-E/S](#) [AXE812124](#) [AXE816124](#)