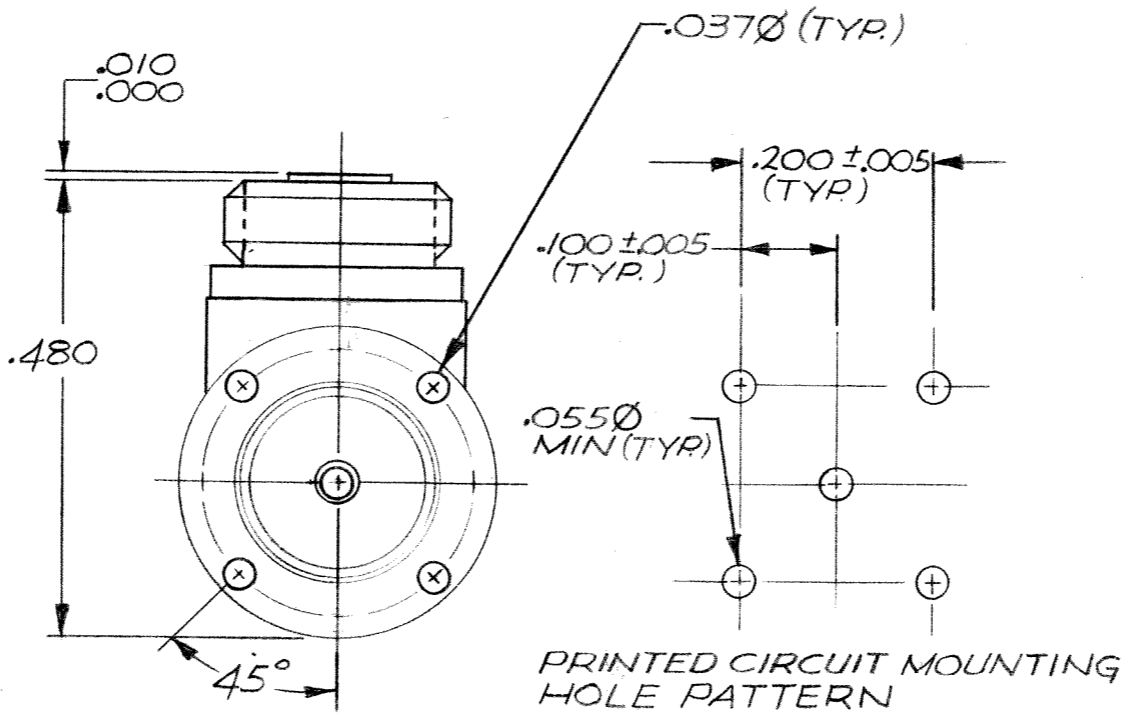
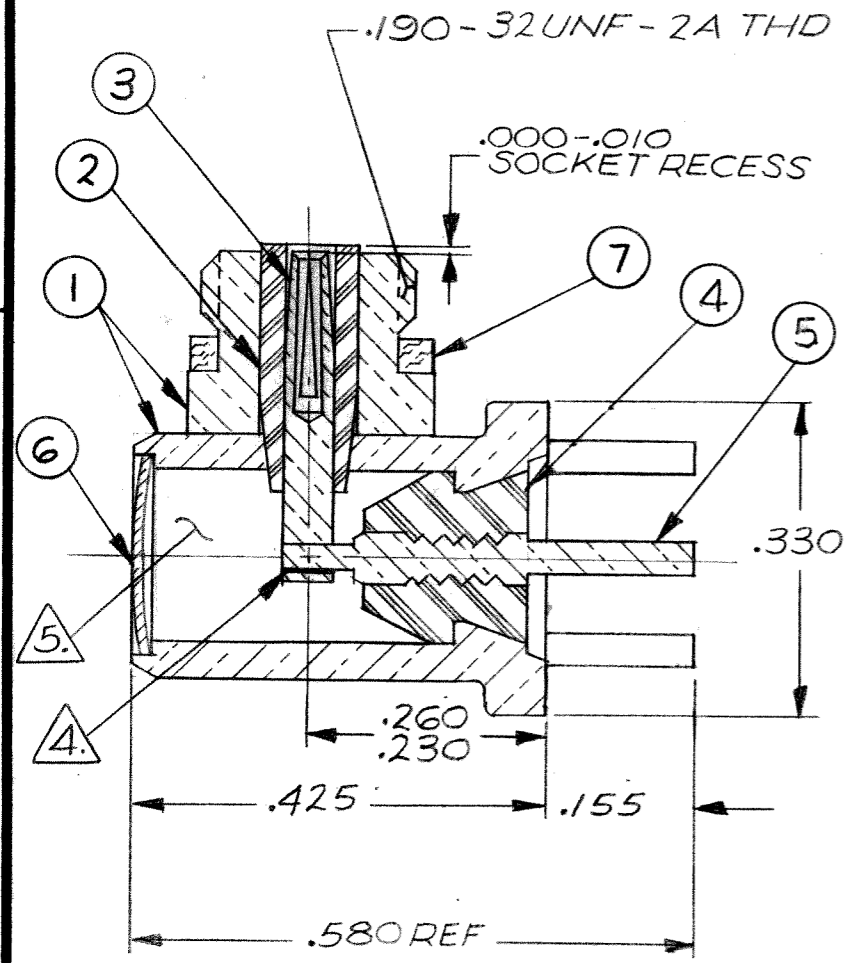


REVISIONS					
ZONE	LTR	ECN	DESCRIPTION	DATE	APPROVED
	L	23619	REVISED & REDRAWN	11-3-78	BAH
	M	36837	ITEM 7, WAS 003-0011-0001	3-11-77	BAH
	N	40141	UPDATE REV. LETTER.	4/19/80	BAH



Tyco Dwg 1467938
Micro P/N 031-0061-0001

ITEM NO.	PART NUMBER	DESCRIPTION	MATERIAL & SPEC.
7	003-0268-0000	GASKET	SILICONE RUBBER, ZZ-R-765
6	003-0098-0001	SEAL DISC	BRASS PER QQ-B-613
5	003-0284-0002	CONTACT, PIN	BRASS PER QQ-B-626
4	003-0365-0001	INSULATOR	TEFLON PER L-P-403
3	003-0285-0002	CONTACT, SOCKET	BERYLLIUM COPPER, QQ-C-530
2	003-0345-0001	INSULATOR	TEFLON PER L-P-403
1	003-0425-0001	HOUSING SUBASSY	BRASS PER QQ-B-626

- NOTES: UNLESS OTHERWISE SPECIFIED
- THIS CONNECTOR MATES WITH ALL S-50 SCREW-ON-SERIES PLUGS AS LISTED IN MALCO CATALOG.
 - SILVER PLATE .0002 MIN. PER QQ-S-365, TYPE II, GRADE A.
 - GOLD PLATE PER MIL-G-45204, TYPE II, GRADE C, CLASS I.
 - PIN CONTACT SOLDERED TO SOCKET CONTACT USING 95 SN, 5 AG.
 - PRIOR TO CAPPING, CAVITY FILLED WITH EPOXY PER MEP 201-03.

PARTS LIST

UNLESS OTHERWISE SPECIFIED DIMENSIONS ARE IN INCHES TOLERANCES ARE: FRACTIONS DECIMALS ANGLES ± .XX ± ± 5° .XXX ± .010		CONTRACT NO.		MALCO A MICRODOT COMPANY, INC. 220 PASADENA AVE., SO. PASADENA, CALIF. 91030	RECEPTACLE, RIGHT ANGLE, PRINTED CIRCUIT 	PROD. CODE 931 CODE CDM
MATERIAL NOTED		APPROVALS	DATE			
FINISH NOTED		CHECKED C.E.H.	9-26-78			
NEXT ASSY		PR. ENG. E.A.Y.	11-2-78			
USED ON		APPROVED	DATE	SIZE B	CODE IDENT NO. 98278	DRAWING NO. 031-0061-0001
APPLICATION		DO NOT SCALE DRAWING		SCALE 5X		SHEET 1 OF 1

X-ON Electronics

Largest Supplier of Electrical and Electronic Components

Click to view similar products for [RF Connectors / Coaxial Connectors](#) category:

Click to view products by [TE Connectivity](#) manufacturer:

Other Similar products are found below :

[8915-1511-000](#) [89674-0827](#) [6001-7071-019](#) [6002-7051-003](#) [6002-7551-202](#) [6059674-1](#) [619550-1](#) [630059-000](#) [M39030/3-01N](#) [6500-7071-046](#) [6769](#) [CX050L2AQ](#) [7002-1541-010](#) [7002-1542-011](#) [7004-1512-000](#) [7009-1511-004](#) [7010-1511-000](#) [7029-1511-060](#) [7101-1541-010](#) [7101-1571-002](#) [7145-1521-002](#) [7203-1571-003](#) [7209-1511-011](#) [7210-1511-015](#) [7210-1511-019](#) [73137-5015](#) [73216-2241](#) [73404-2300](#) [7405-1521-005](#) [7405-1521-802](#) [8527](#) [8547](#) [FS11V](#) [877931](#) [9049-9513-000](#) [9074-9513-000](#) [9101-9573-002](#) [910A205F](#) [9130-9573-002](#) [PL11SC-026](#) [PL375-33](#) [PL40-5](#) [PL74C-221](#) [PL75MC-217](#) [PL803-7](#) [980-8666-005](#) [1200690078](#) [1-201144-1](#) [R107003010W](#) [R110A172100](#)