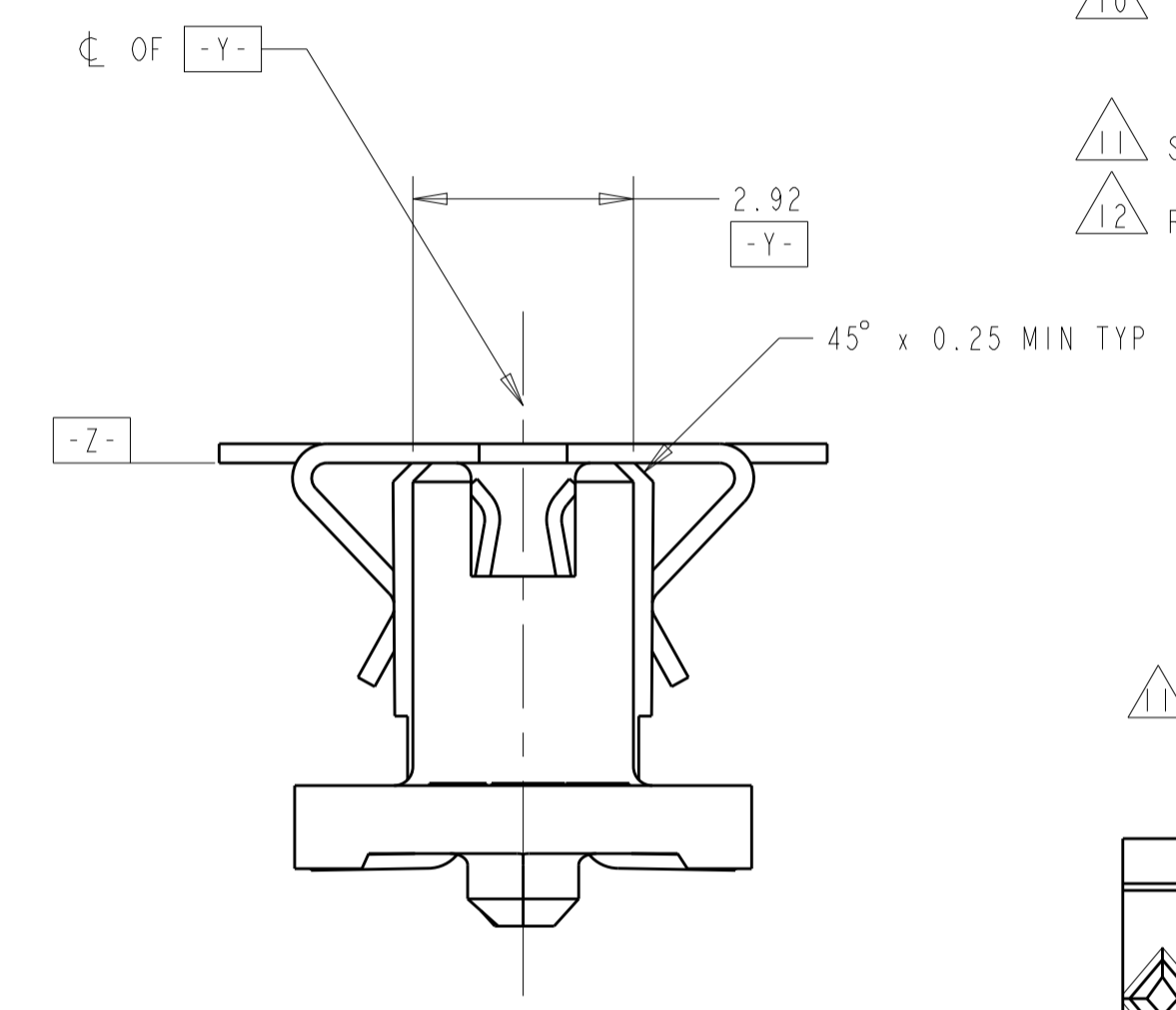
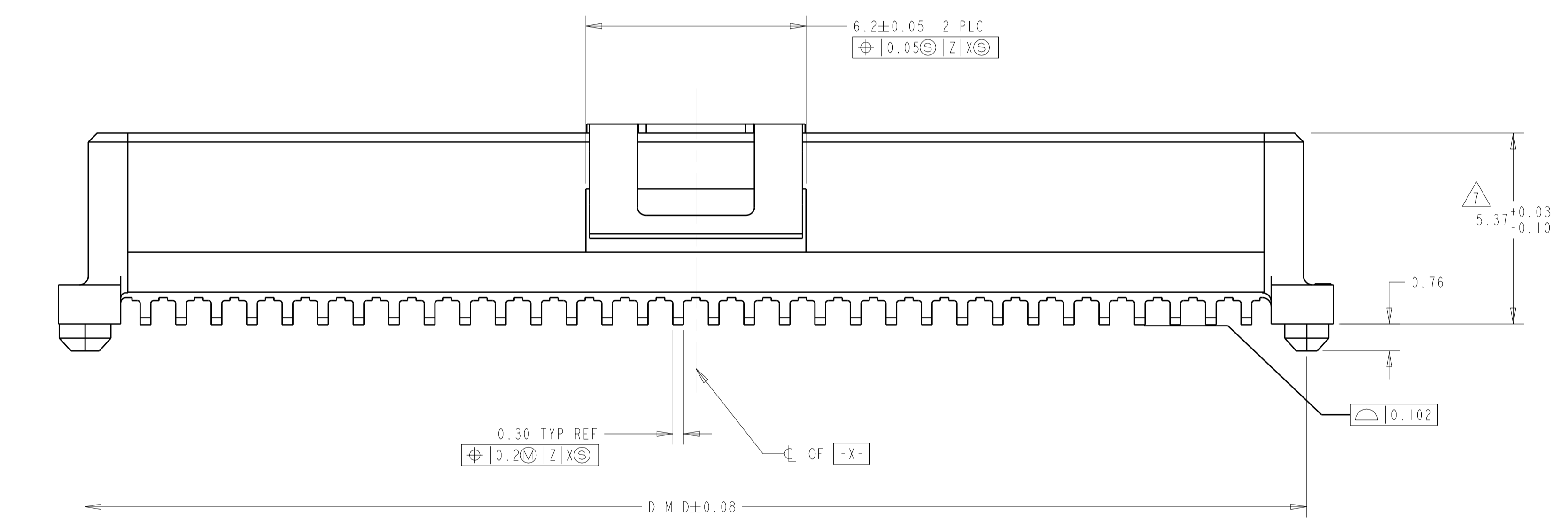
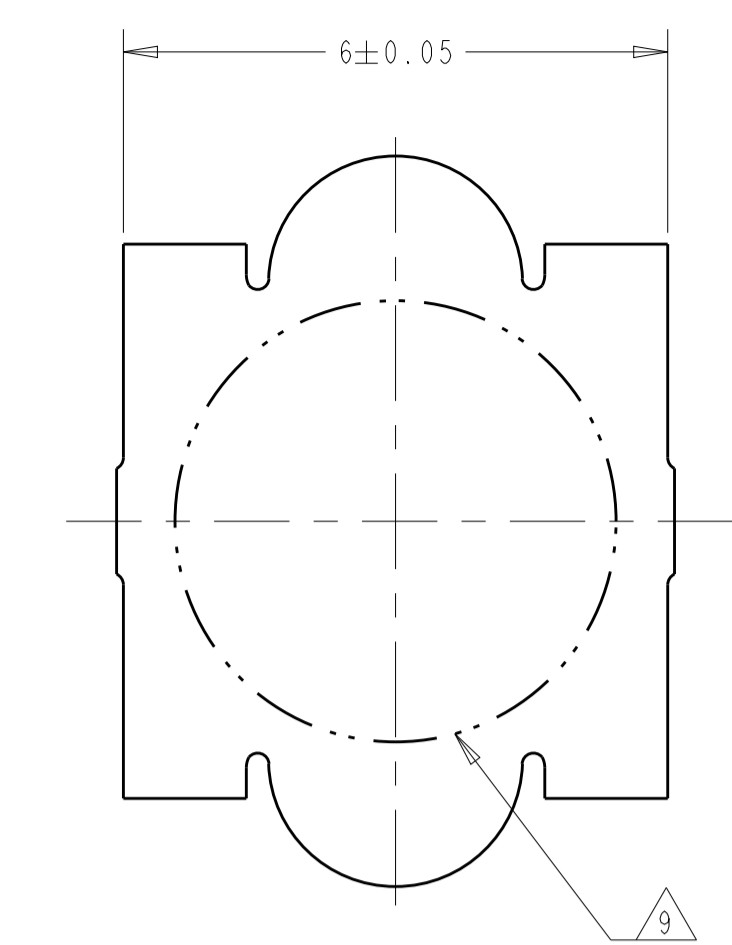
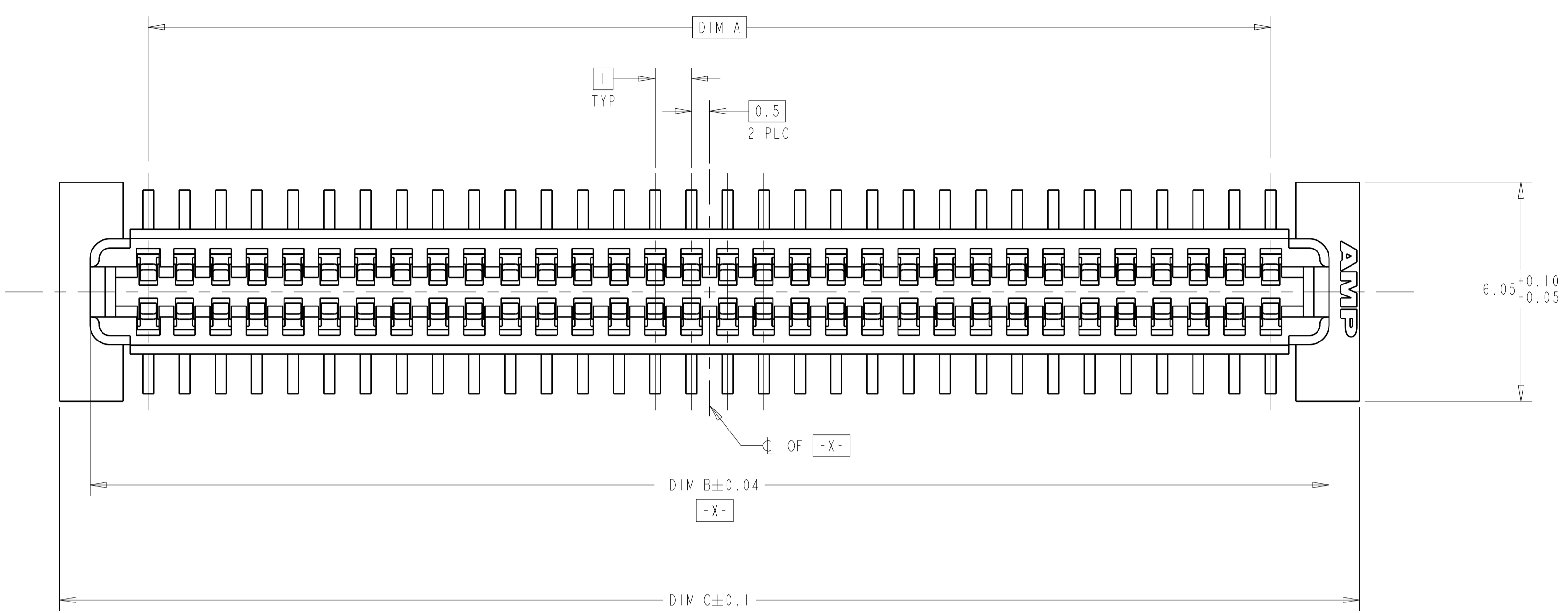
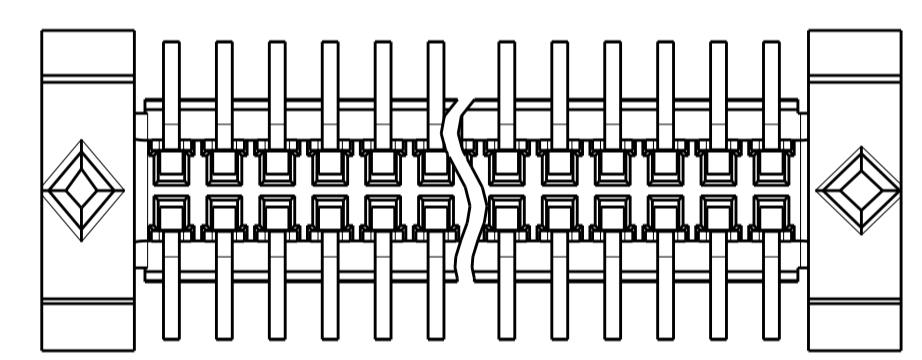


REVISIONS				
P.	LTN	DESCRIPTION	DATE	APPV
M		REVISED PER ECR-14-016951	11FEB2015	J.T. W.H.

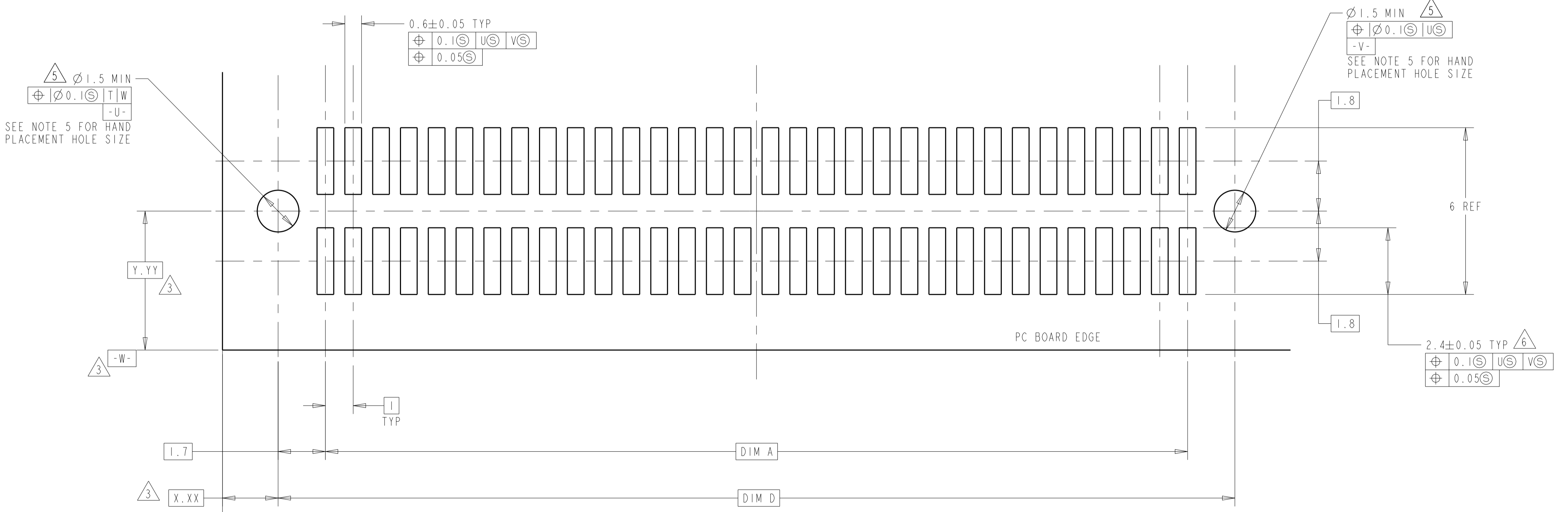
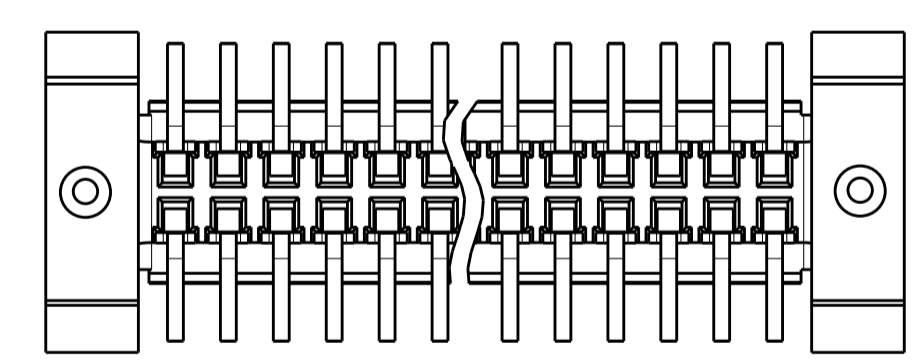


- HOUSING MATERIAL: HIGH TEMPERATURE THERMOPLASTIC, COLOR: BLACK. CONTACT MATERIAL: PHOSPHOR BRONZE.
- CONTACT FINISH: NICKEL UNDERPLATE ALL OVER, MATING SURFACES PLATED TO MEET PL1 PERFORMANCE REQUIREMENTS OF INDUSTRY SPECIFICATION EIA-700AAAB, SOLDER TAILS PLATED TIN-LEAD.
- DATUM LOCATIONS AND BASIC DIMENSIONS TO BE ESTABLISHED BY THE CUSTOMER. CONSULT AMP ENGINEERING WHEN PLACING MULTIPLE CONNECTORS ON A PC BOARD.
- PACKAGED IN TAPE ON REEL PER EIA-481.
- 1.4 ± 0.05 DIAMETER HOLE WHEN PLACING BY HAND.
- SHORTER SOLDER LANDS MAY BE USED PER EIA 700AAAB, HOWEVER 2.4 LENGTH ASSURES OPTIMUM SOLDER FILLET REGARDLESS OF MANUFACTURER OF CONNECTOR.
- REFERRED TO AS DIM H = 5.30 ± 0.1 IN EIA 700AAAB SPECIFICATION.
- VACUUM COVER NOT SHOWN IN SOME VIEWS FOR CLARITY.
- 5.5 MIN DIAMETER TARGET AREA FOR VACUUM PICK-UP.
- CONTACT FINISH: 0.002 MINIMUM BRIGHT TIN-LEAD (93-7) ON SOLDER AREA. 0.00127 MINIMUM GOLD ON MATING AREA. BOTH OVER 0.00127 MINIMUM NICKEL ON ENTIRE CONTACT.
- SQUARE AND DIAMOND SHAPED POSTS.
- ROUND SHAPED POSTS.

STYLE A POSTS



STYLE B POSTS



POST STYLE	FINISH	DIM D	DIM C	DIM B	DIM A	STACK HEIGHTS	POS	AMP PART NUMBER
12	10	44.4	45.9	44.22	41	8, 9, 10	84	3-146893-2
12	10	34.4	35.9	34.22	31	8, 9, 10	64	3-146893-1
12	10	44.4	45.9	44.22	41	8, 9, 10	84	2-146893-2
12	10	34.4	35.9	34.22	31	8, 9, 10	64	2-146893-1
11	10	44.4	45.9	44.22	41	8, 9, 10	84	1-146893-2
11	10	34.4	35.9	34.22	31	8, 9, 10	64	1-146893-1
11	10	44.4	45.9	44.22	41	8, 9, 10	84	146893-2
11	10	34.4	35.9	34.22	31	8, 9, 10	64	146893-1

THIS DRAWING IS A CONTROLLED DOCUMENT. DWG: D.K. SCHRUM 31JUL98. CHK: CHAD BAKER 31JUL98. NAME: RECEPTACLE ASSY, W/ VACUUM COVER, 1.0mm FH (IEEE 1386) CONNECTOR. PRODUCT SPEC: 502-1079. APPLICATION SPEC: 114-25045. WEIGHT: -. SIZE: A1. CAGE CODE: 00779. DRAWING NO: 146893. SCALE: 10:1. SHEET: 1 OF 1. REV: M.

X-ON Electronics

Largest Supplier of Electrical and Electronic Components

Click to view similar products for [Board to Board & Mezzanine Connectors](#) category:

Click to view products by [TE Connectivity](#) manufacturer:

Other Similar products are found below :

[589158040000018](#) [FCN-230C068-11](#) [FCN-268F012-G/BD](#) [FCN-268F036-G/BD](#) [FCN-268M012-G/0D](#) [FCN-268M024-G/1D](#) [FCN-723J004/1](#) [MIS-048-01-F-D-DP-K](#) [832-10-034-10-001000](#) [FX4C-80S-1.27DSA](#) [FCN-214Q030-G/0](#) [FCN-234P048-G/0](#) [FCN-235D050-G/C](#) [210-93-314-41-105000](#) [2-22603-0](#) [MDF7-40DP-2.54DSA\(55\)](#) [AXG720047](#) [5031084030](#) [MIT-114-03-F-D-K](#) [55323-1519](#) [DF33-2P-3.3DSA\(24\)](#) [YFT-20-05-H-03-SB-K](#) [503308-3040](#) [026-6203-PDB](#) [027-6203-PDB](#) [069159702701000](#) [10123981-102LF](#) [101A10019X](#) [55650-0588-C](#) [68684-306](#) [75140-7012](#) [589159005003045](#) [194261-1](#) [FCN-268F024-G0D](#) [10124054-515LF](#) [68685-603](#) [8-1616154-3](#) [MIS-019-01-F-D](#) [589159005002045](#) [541371078](#) [IL-WX-10PB-HF-B-E1000E](#) [FCN-268M024-G/3D](#) [20021832-06016C1LF](#) [KX15-20KLDL-E1000E](#) [MDF7-16DP-2.54DSA\(55\)](#) [AXE810124](#) [FCN-214J100-G/0](#) [FCN-230C068-E/S](#) [AXE812124](#) [AXE816124](#)