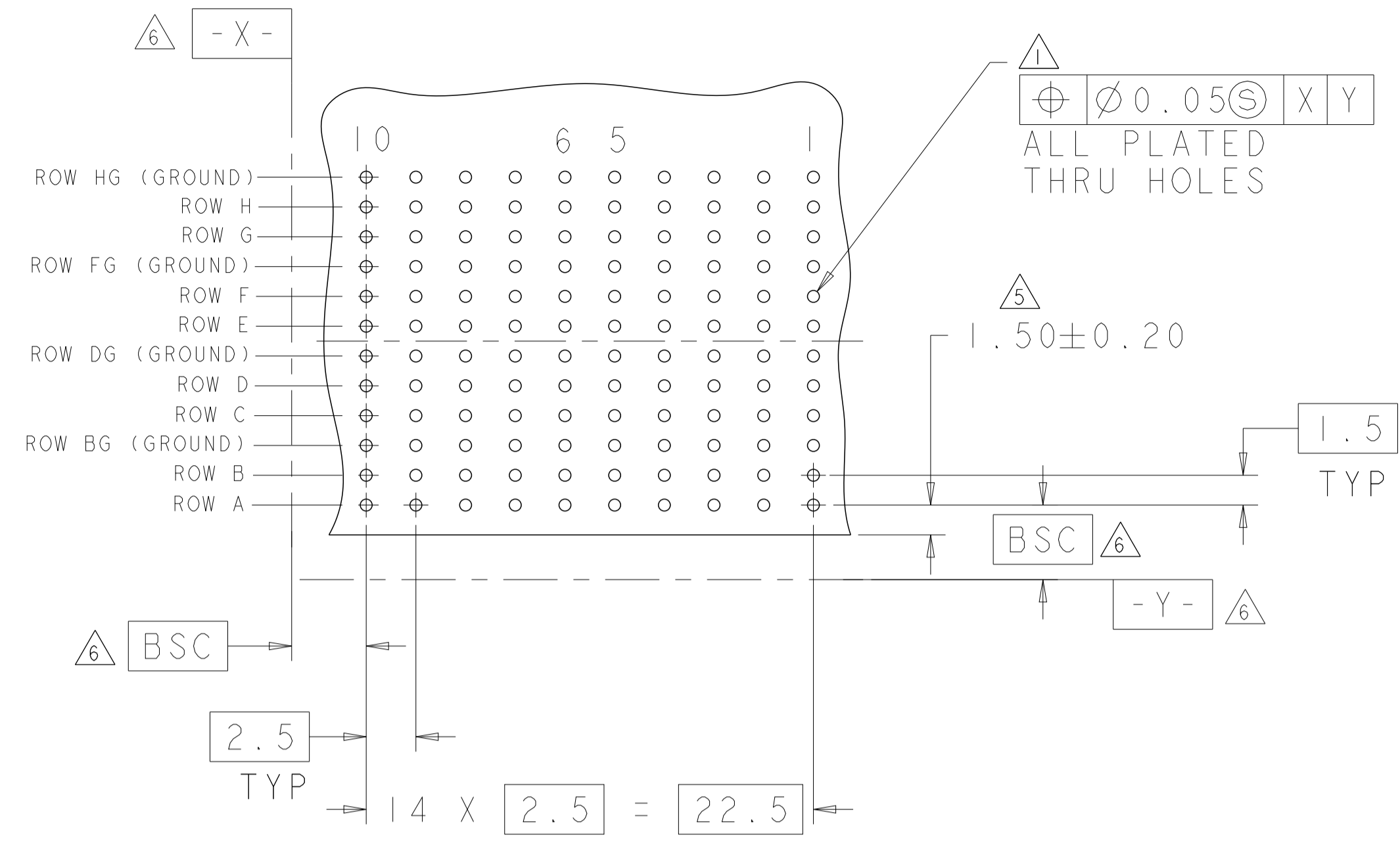
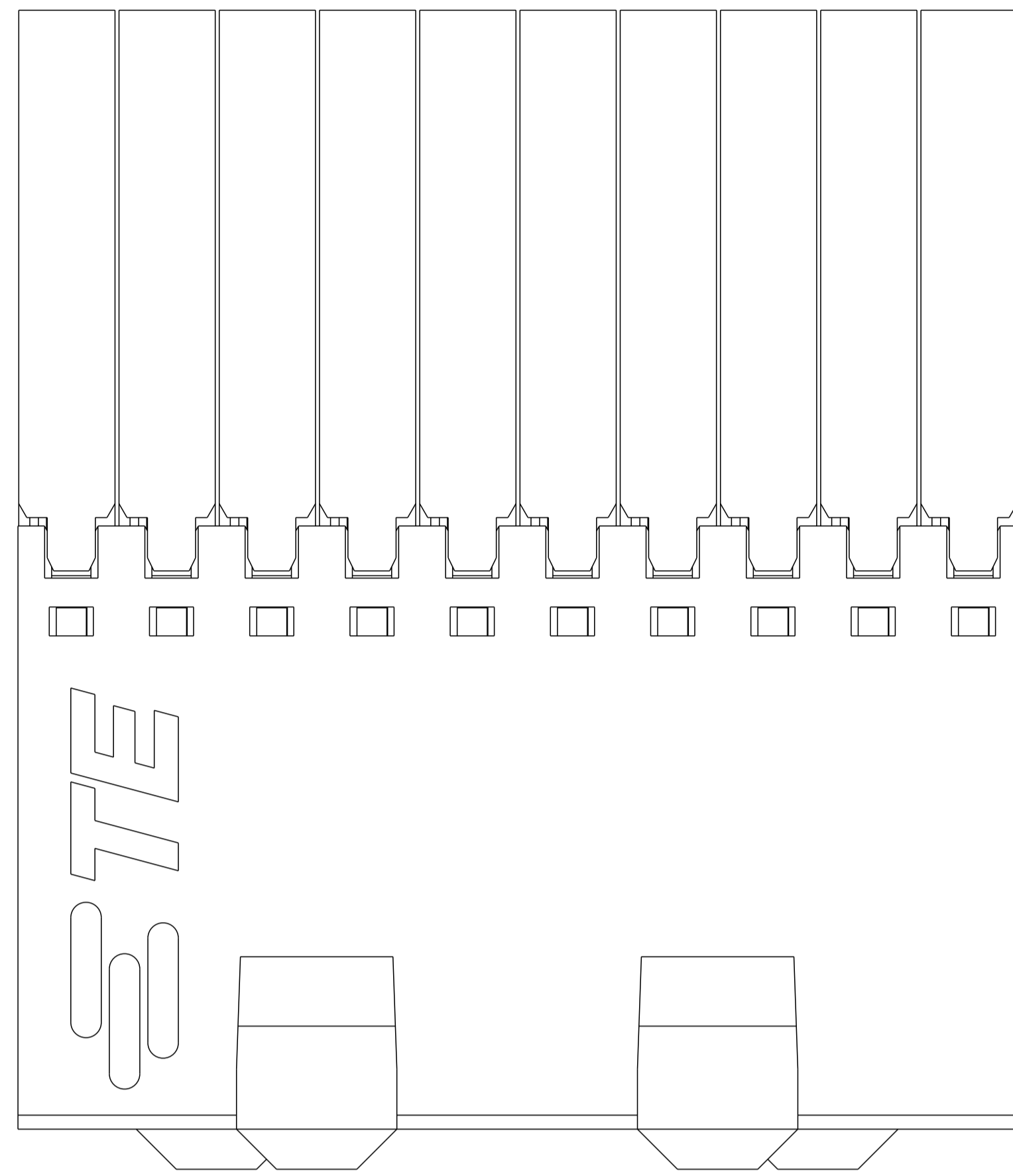
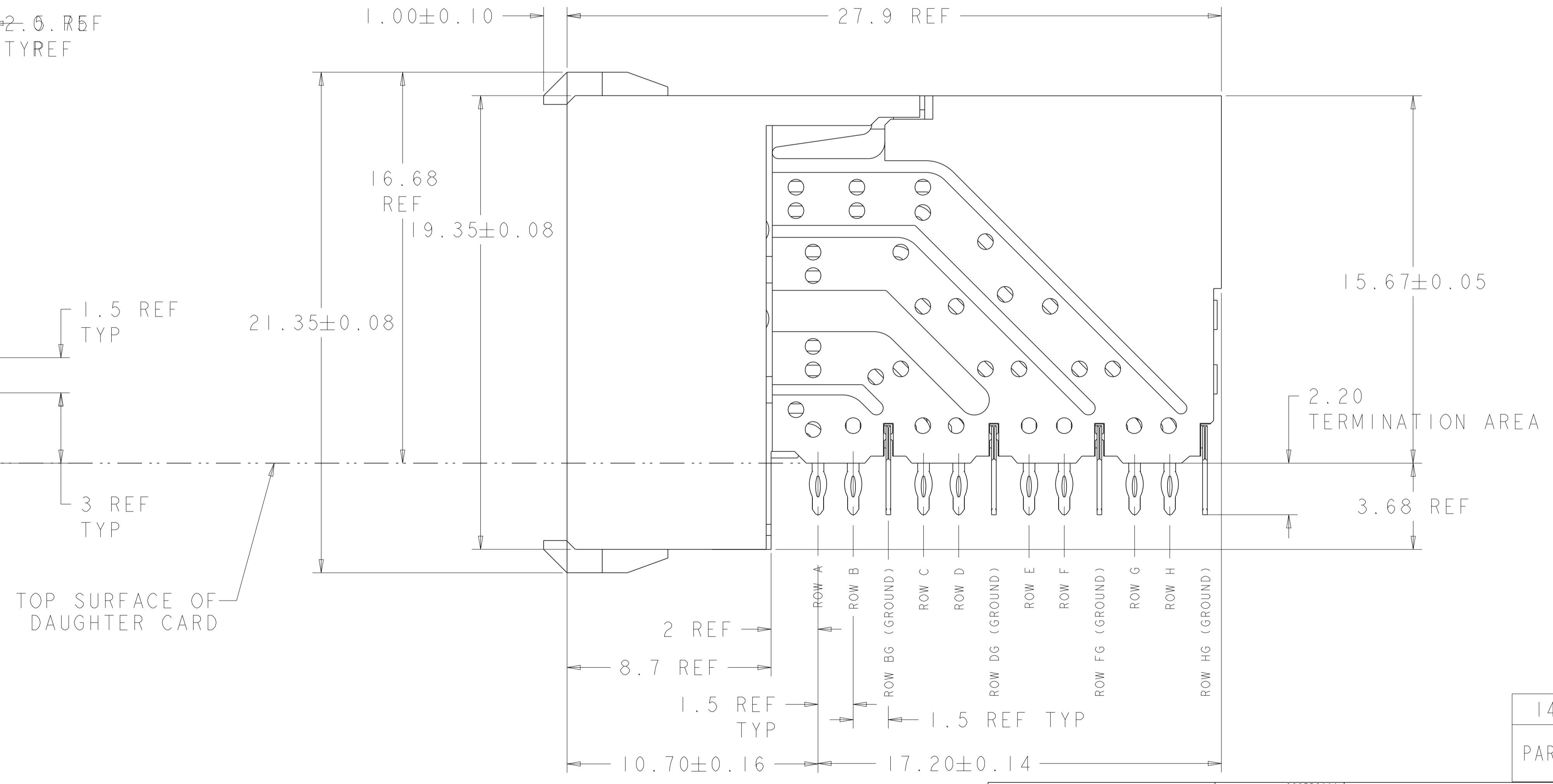
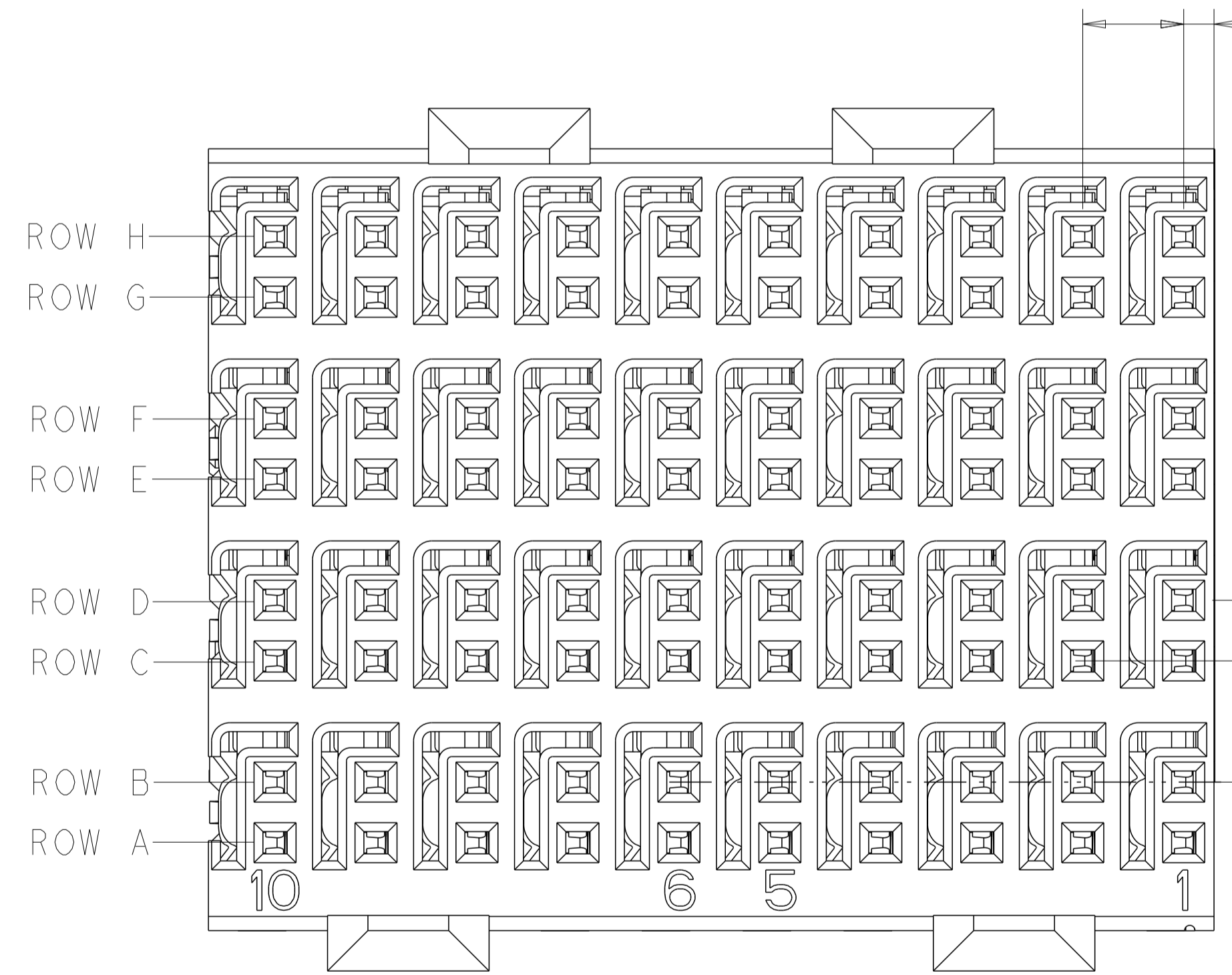


| REVISIONS |     |                           |           |       |
|-----------|-----|---------------------------|-----------|-------|
| P         | LTN | DESCRIPTION               | DATE      | APVD  |
| G         |     | REVISED PER ECO-14-005095 | 11APR2014 | AP RP |
| H         |     | REVISED PER ECO-16-008845 | 21SEP2016 | AP RP |
| J         |     | REVISED PER ECO-17-013036 | 13SEP2017 | AP RP |

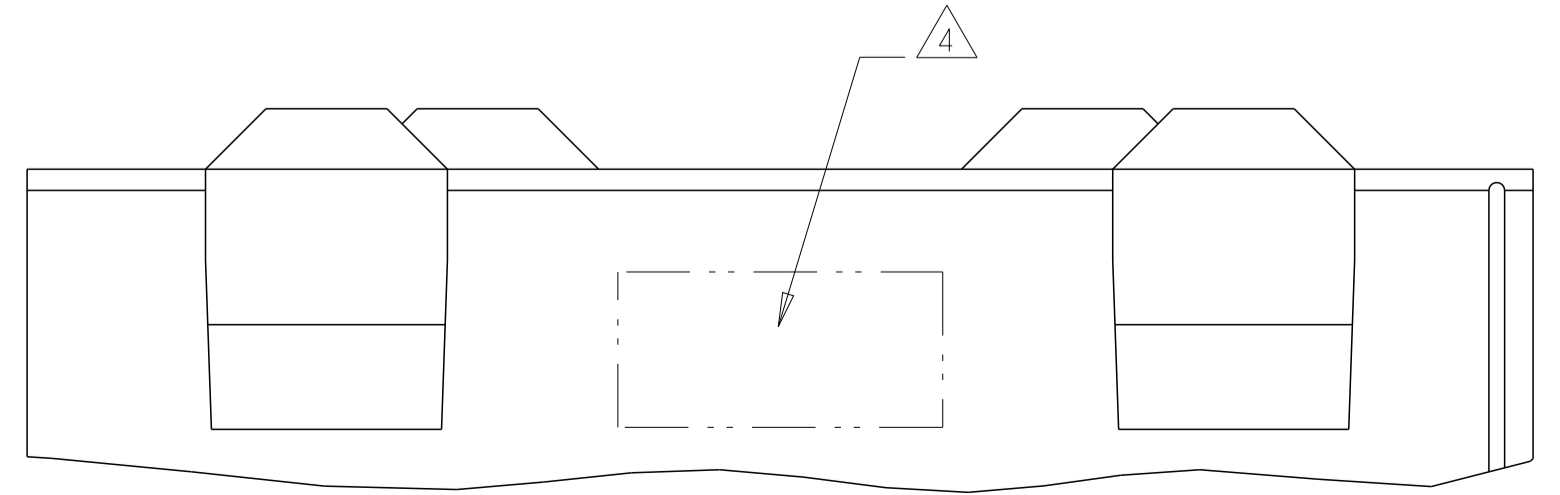


RECOMMENDED PC BOARD LAYOUT,  
 DAUGHTER BOARD,  
 COMPONENT SIDE SHOWN  
 SCALE 4:1

- $\triangle 1$  REFERENCE APPLICATION SPEC 114-13059 FOR RECOMMENDED PLATED THRU HOLE DIAMETER AND PLATING THICKNESSES.
- $\triangle 2$  MATERIAL:  
 SHIELD - PHOSPHOR BRONZE  
 CONTACT - COPPER-NICKEL-SILICON  
 HOUSING, CHICKLET AND CHICKLET COVER - GLASS FILLED POLYESTER, UL 94V-0 RATED.
- $\triangle 3$  FINISH: SIGNAL AND GROUND CONTACTS:  
 MATING AREA: MEETS THE PERFORMANCE REQUIREMENTS OF PRODUCT SPECIFICATION 108-2055; BASED ON TELCORDIA GR-1217-CORE, APPLICATIONS IN UNCONTROLLED ENVIRONMENTS  
 COMPLIANT PIN AREA: 0.5 $\mu$ m MIN BRIGHT TIN-LEAD OVER BASE PLATING
- $\triangle 4$  CONNECTOR MARKED WITH PART NUMBER AND DATE CODE IN APPROXIMATE AREA SHOWN
- $\triangle 5$  DIMENSION APPLIES TO CENTERLINE OF THRU HOLE.
- $\triangle 6$  DATUMS AND BASIC DIMENSIONS ESTABLISHED BY CUSTOMER.
- 7. CONTACT AREA LUBRICATED WITH BELLCORE APPROVED LUBRICANT. TECHNICAL REFERENCE: GR-1217-CORE, ISSUE 1, NOVEMBER 1995.



TOP SURFACE OF DAUGHTER CARD



1469001-1  
 PART NUMBER

|  |  |                            |  |  |
|--|--|----------------------------|--|--|
| THIS DRAWING IS A CONTROLLED DOCUMENT. |  | OWN S. KLINE/LAM 28SEP2000 | TE Connectivity                        |  |
| DIMENSIONS:                            |  | CHK S. KLINE 28SEP2000     | NAME RECEPTACLE ASSEMBLY, 4 PAIR, HMZd |  |
| mm                                     | TOLERANCES UNLESS OTHERWISE SPECIFIED: | APVD S. KLINE 28SEP2000    | PRODUCT SPEC                           |  |
|  | 0 PLC #                                | APPLICATION SPEC           | RESTRICTED TO                          |  |
|  | 1 PLC #                                | SIZE CAGE CODE DRAWING NO  | A100779C=1469001                       |  |
|  | 2 PLC #                                | WEIGHT                     | SCALE 8:1 SHEET 1 OF 1 REV J           |  |
|  | 3 PLC #                                | CUSTOMER DRAWING           |  |  |
|  | 4 PLC #                                |                            |  |  |
|  | ANGLES                                 |                            |  |  |
|  | FINISH                                 |                            |  |  |

## X-ON Electronics

Largest Supplier of Electrical and Electronic Components

*Click to view similar products for [Hard Metric Connectors](#) category:*

*Click to view products by [TE Connectivity](#) manufacturer:*

Other Similar products are found below :

[6345127-1](#) [646916-9](#) [6469658-1](#) [973108](#) [1-2000713-0](#) [1-2000713-2](#) [1-2000713-3](#) [1645343-1](#) [1645456-1](#) [1645594-1](#) [1645595-1](#) [1645601-1](#)  
[1934822-1](#) [278071110010833](#) [1645179-1](#) [1645245-1](#) [1645457-1](#) [1645525-1](#) [1645570-1](#) [1645596-1](#) [17041102202](#) [1857470-1](#) [1934275-1](#)  
[1934289-1](#) [1934759-1](#) [2000673-1](#) [2170292-2](#) [2-536642-6](#) [3-106015-1](#) [352188-1](#) [352629-1](#) [5120823-1](#) [5120899-1](#) [3-100145-0](#) [3-100147-0](#)  
[3-100669-1](#) [3-106081-0](#) [HM2DK2368PLF](#) [5646530-1](#) [3-352049-0](#) [3-352069-0](#) [3-352115-0](#) [3-352638-0](#) [352189-1](#) [3-646357-0](#) [3-646487-0](#)  
[3-646513-0](#) [106726-1](#) [114352](#) [114619](#)