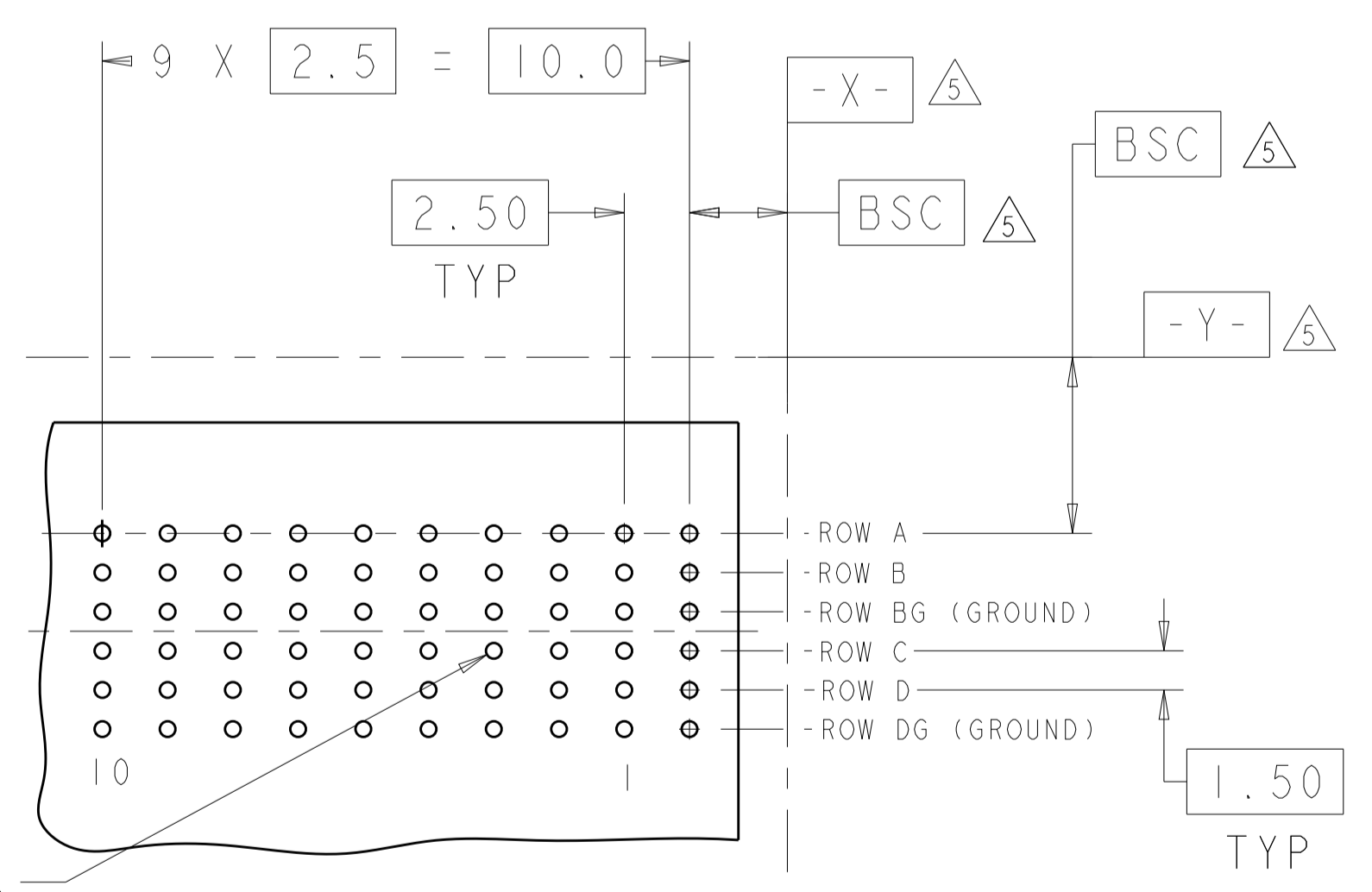
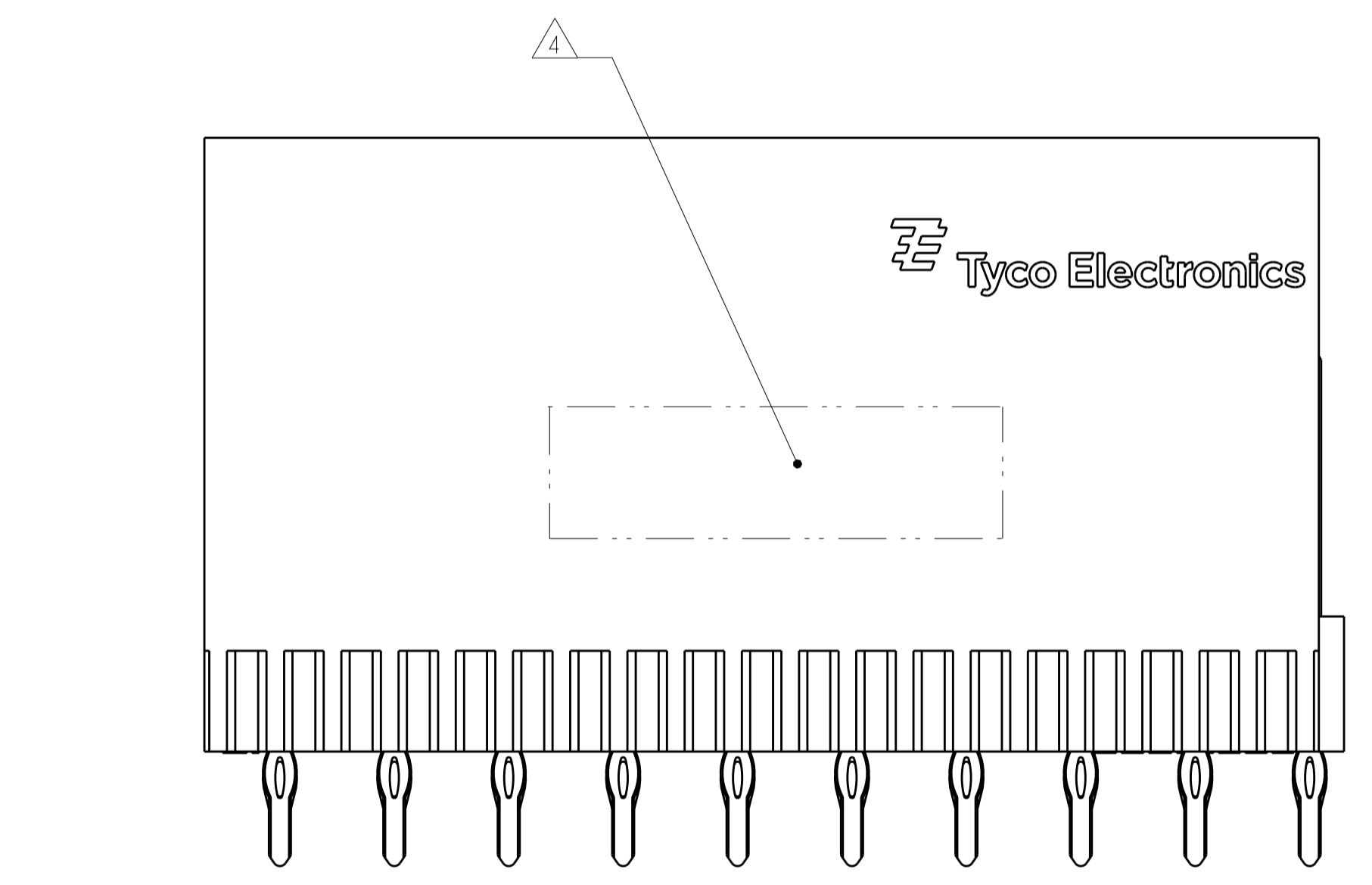
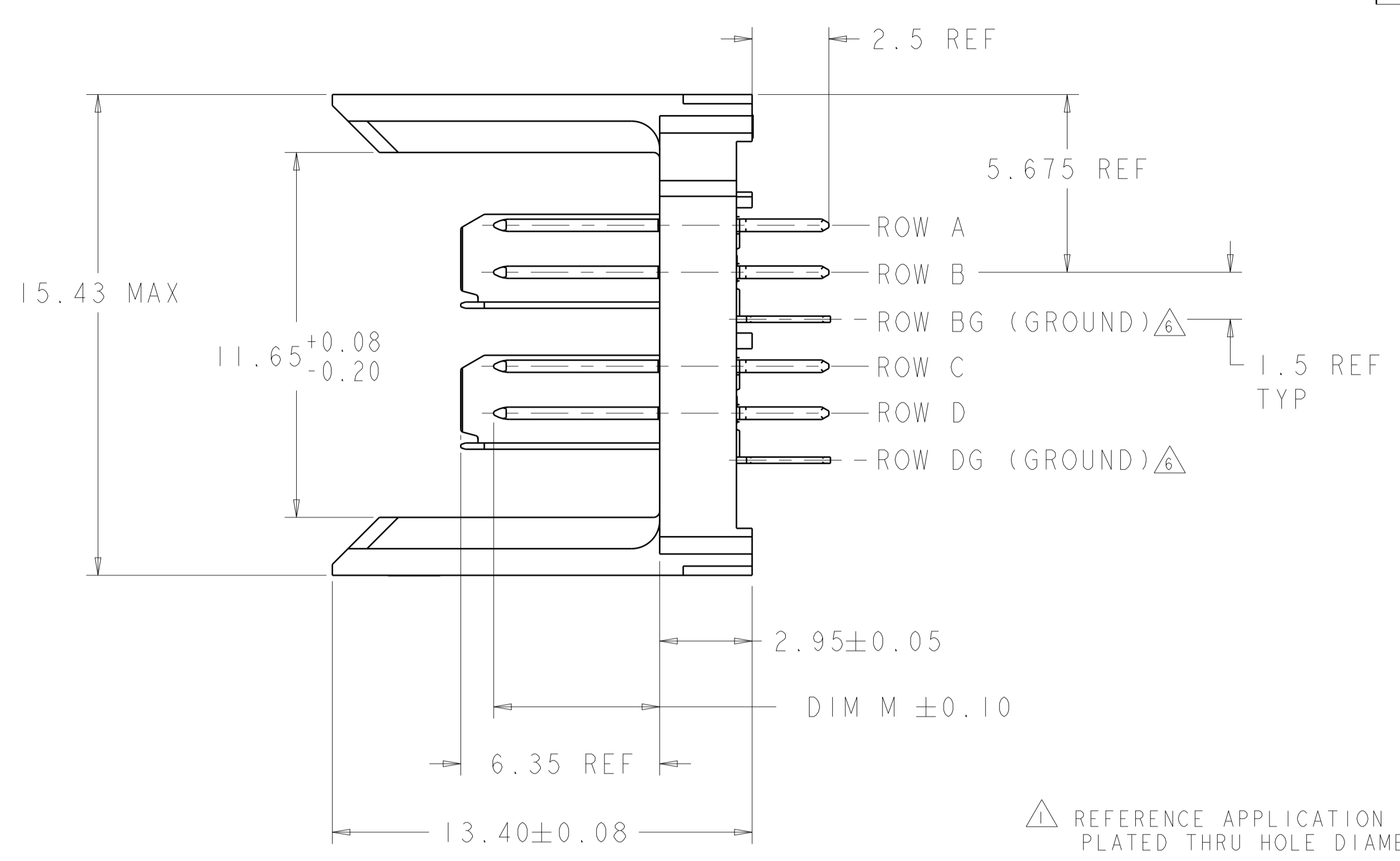
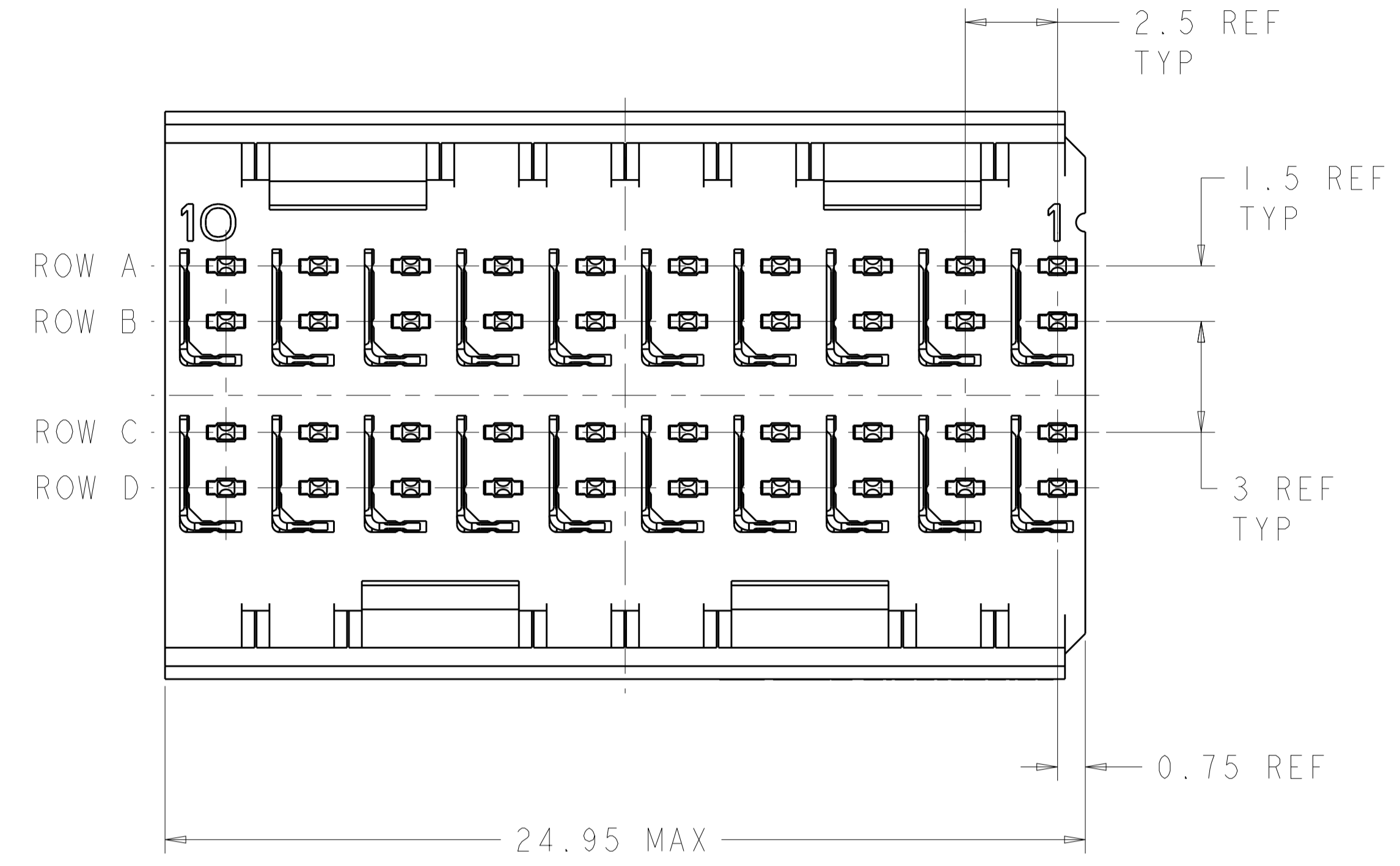


LOC	DIST	REVISIONS			
		REV	DATE	BY	APPV
AD	00	E1	04MAR2013	KH	MH



⊕ Ø0.05Ⓢ X Y  
 ALL PLATED THRU HOLES  
 RECOMMENDED PC BOARD LAYOUT, BACKPLANE, COMPONENT SIDE SHOWN SCALE 4:1

- △ REFERENCE APPLICATION SPEC 114-13059 FOR RECOMMENDED PLATED THRU HOLE DIAMETER AND PLATING THICKNESSES.
- △ MATERIAL:  
 CONTACT AND SHIELD - PHOSPHOR BRONZE  
 HOUSING - GLASS FILLED POLYESTER, UL 94V-0.
- △ FINISH: SIGNAL AND GROUND CONTACTS:  
 MATING AREA: MEETS THE PERFORMANCE REQUIREMENTS OF PRODUCT SPECIFICATION 108-2055; BASED ON TELCORDIA GR-1217-CORE, APPLICATIONS IN UNCONTROLLED ENVIRONMENTS  
 COMPLIANT PIN AREA: 0.5µm MIN BRIGHT TIN-LEAD OVER BASE PLATING
- △ CONNECTOR MARKED WITH PART NUMBER AND DATE CODE.
- △ DATUMS AND BASIC DIMENSIONS ESTABLISHED BY CUSTOMER.
- △ THE TWO GROUNDS IN EACH COLUMN ARE COMMONED.
- 7. CONTACT AREA LUBRICATED WITH BELLCORE APPROVED LUBRICANT. TECHNICAL REFERENCE: GR-1217-CORE, ISSUE 1, NOVEMBER 1995.

SUPERSEDED BY	DATE	DESCRIPTION
6469025-2	3.80	1469025-2
	5.30	1469025-1
		DIM M PART NUMBER

THIS DRAWING IS A CONTROLLED DOCUMENT.		OWN	DATE	TE Connectivity	
DIMENSIONS:		CHK	11OCT2000		
mm		R.S.KLINE	16AUG2007		
TOLERANCES UNLESS OTHERWISE SPECIFIED:		CHK		NAME	
0 PLC	±	R.PATTERSON		HEADER ASSEMBLY, 2 PAIR, 2.5mm TAIL, 25mm, HMZd	
1 PLC	±	APVD	13SEP01	PRODUCT SPEC	
2 PLC	±			APPLICATION SPEC	
3 PLC	±			SIZE	
4 PLC	±			CAGE CODE	
ANGLES	±			DRAWING NO	
MATERIAL		WEIGHT		RESTRICTED TO	
FINISH				A100779C=1469025	
		Customer Drawing		SCALE 8:1 SHEET 1 OF 1 REV E1	

## X-ON Electronics

Largest Supplier of Electrical and Electronic Components

*Click to view similar products for [Hard Metric Connectors](#) category:*

*Click to view products by [TE Connectivity](#) manufacturer:*

Other Similar products are found below :

[10146110-VR5C](#) [6345127-1](#) [646916-9](#) [853016](#) [973108](#) [1-2000676-2](#) [1-2000713-0](#) [1-2000713-2](#) [1-2000713-3](#) [134187](#) [1645343-1](#) [1645456-1](#) [1645601-1](#) [1934822-1](#) [223085-1](#) [278071110010833](#) [1645245-1](#) [1645525-1](#) [1645570-1](#) [1645596-1](#) [1857470-1](#) [1934275-1](#) [1934289-1](#) [1934759-1](#) [2000673-1](#) [204975](#) [2170292-2](#) [2-536642-6](#) [3-100668-0](#) [352188-1](#) [352629-1](#) [3-646346-0](#) [3-646457-0](#) [3-646529-0](#) [5120823-1](#) [5120899-1](#) [3-100145-0](#) [3-100147-0](#) [3-100669-1](#) [HM2DK2368PLF](#) [5646530-1](#) [3-352049-0](#) [3-352069-0](#) [3-352115-0](#) [3-352638-0](#) [352189-1](#) [3-646357-0](#) [3-646487-0](#) [3-646513-0](#) [51208191](#)