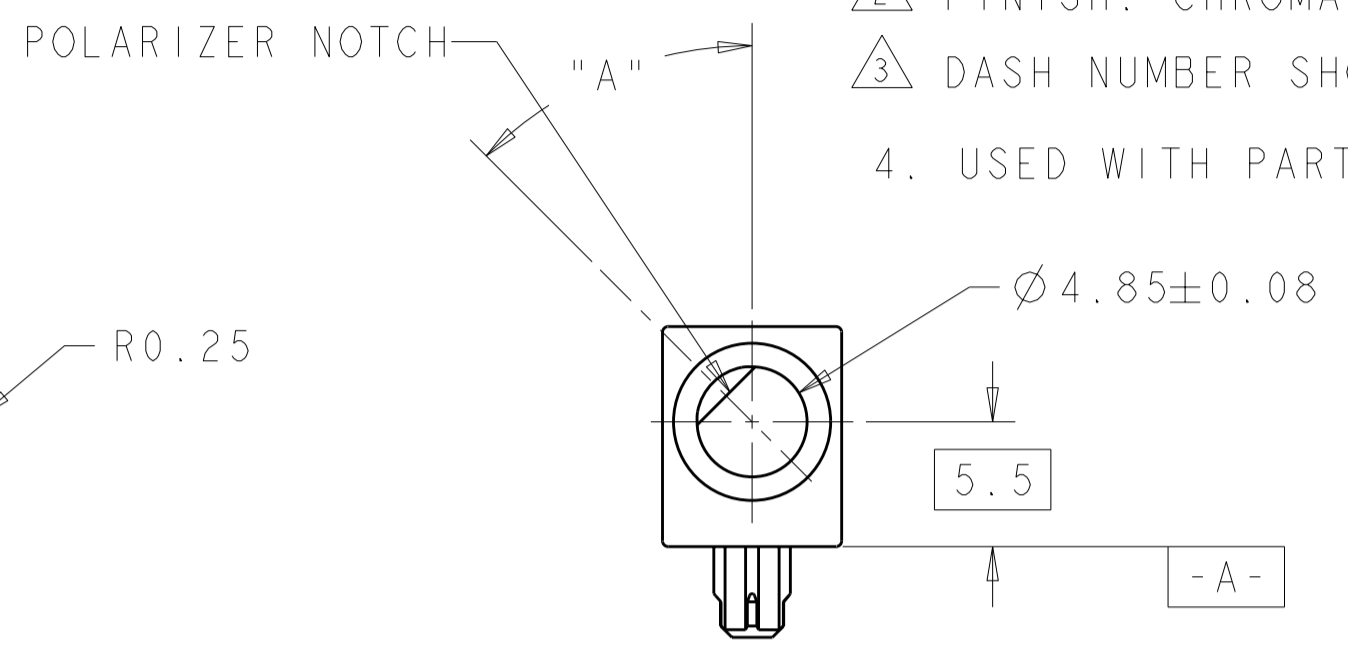
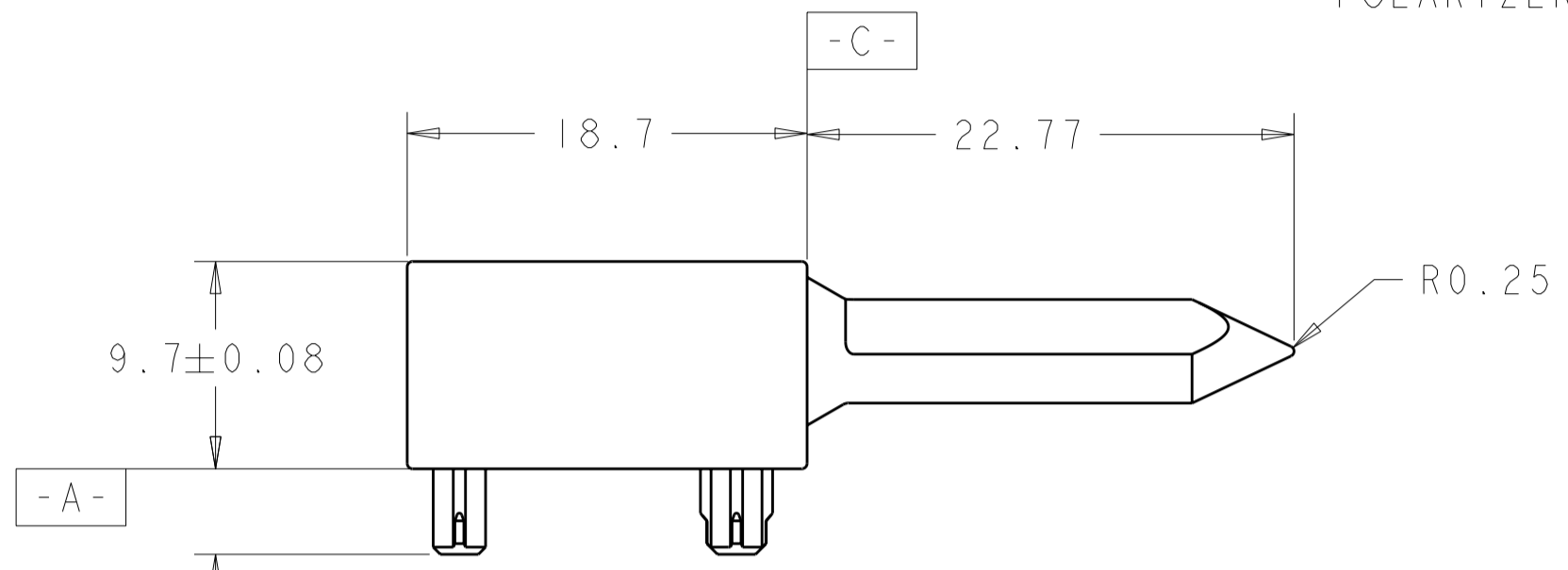
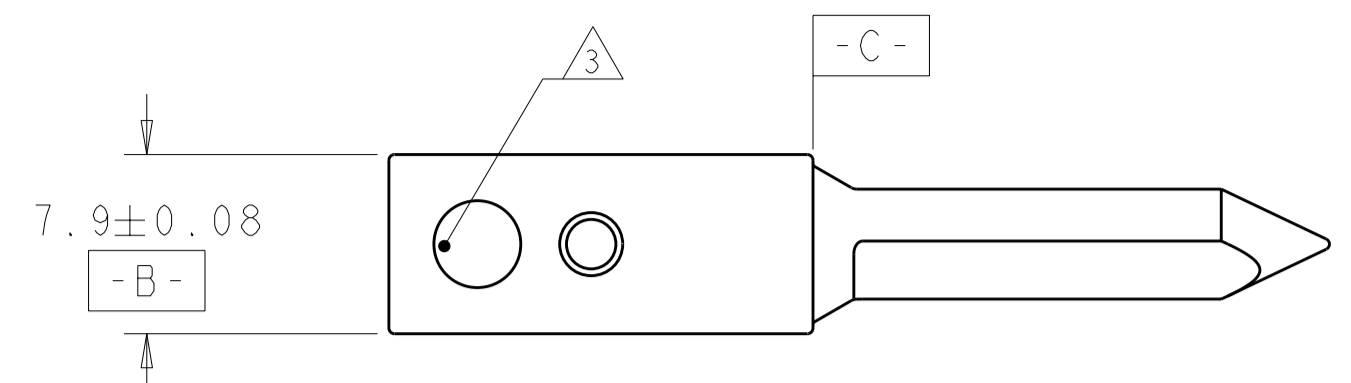
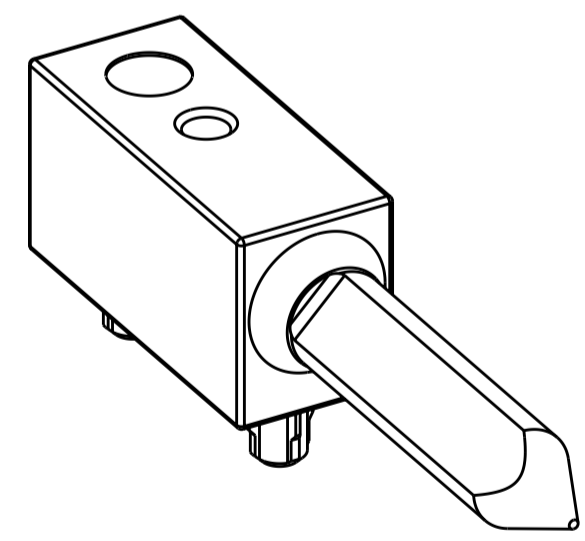
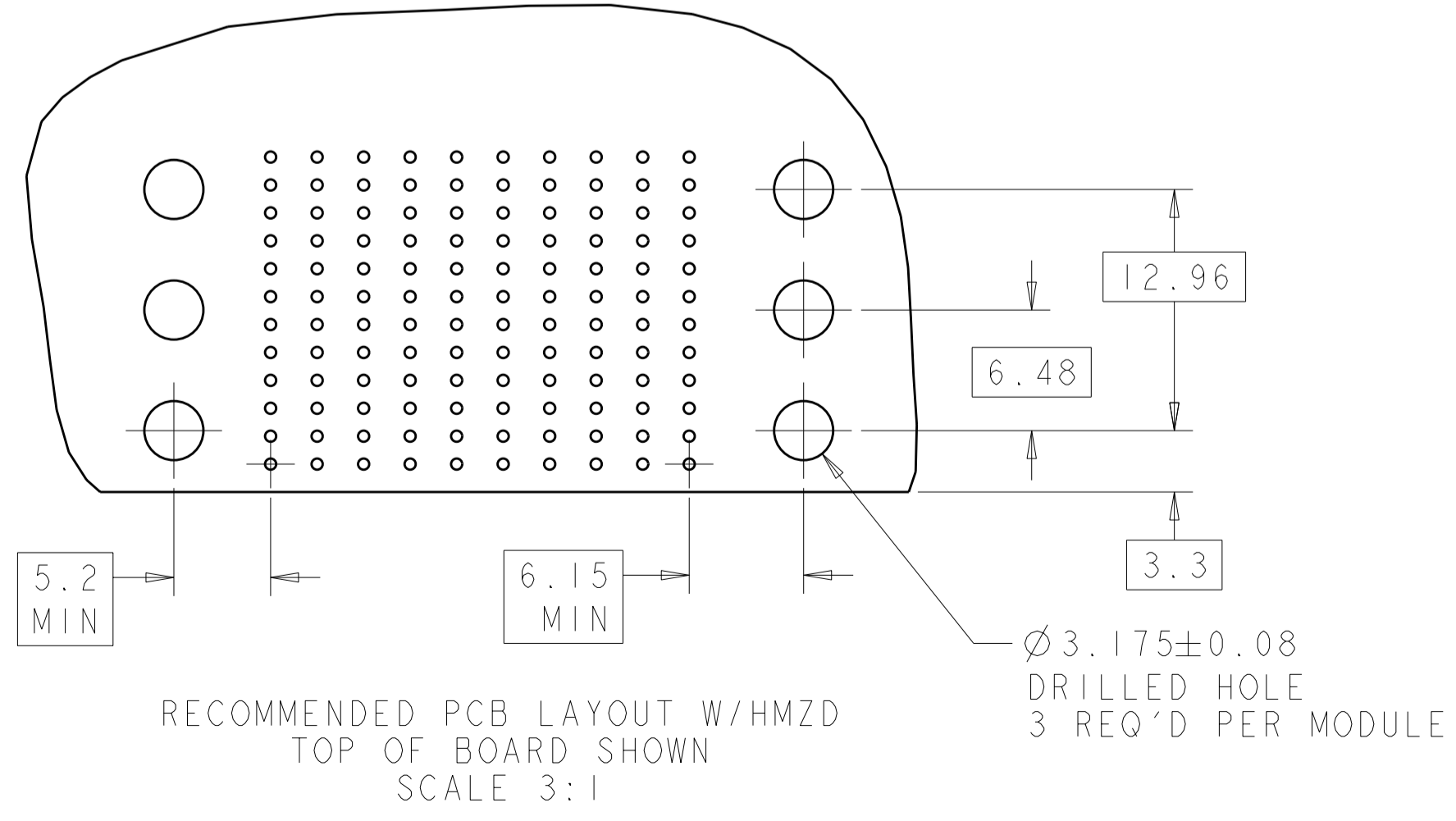
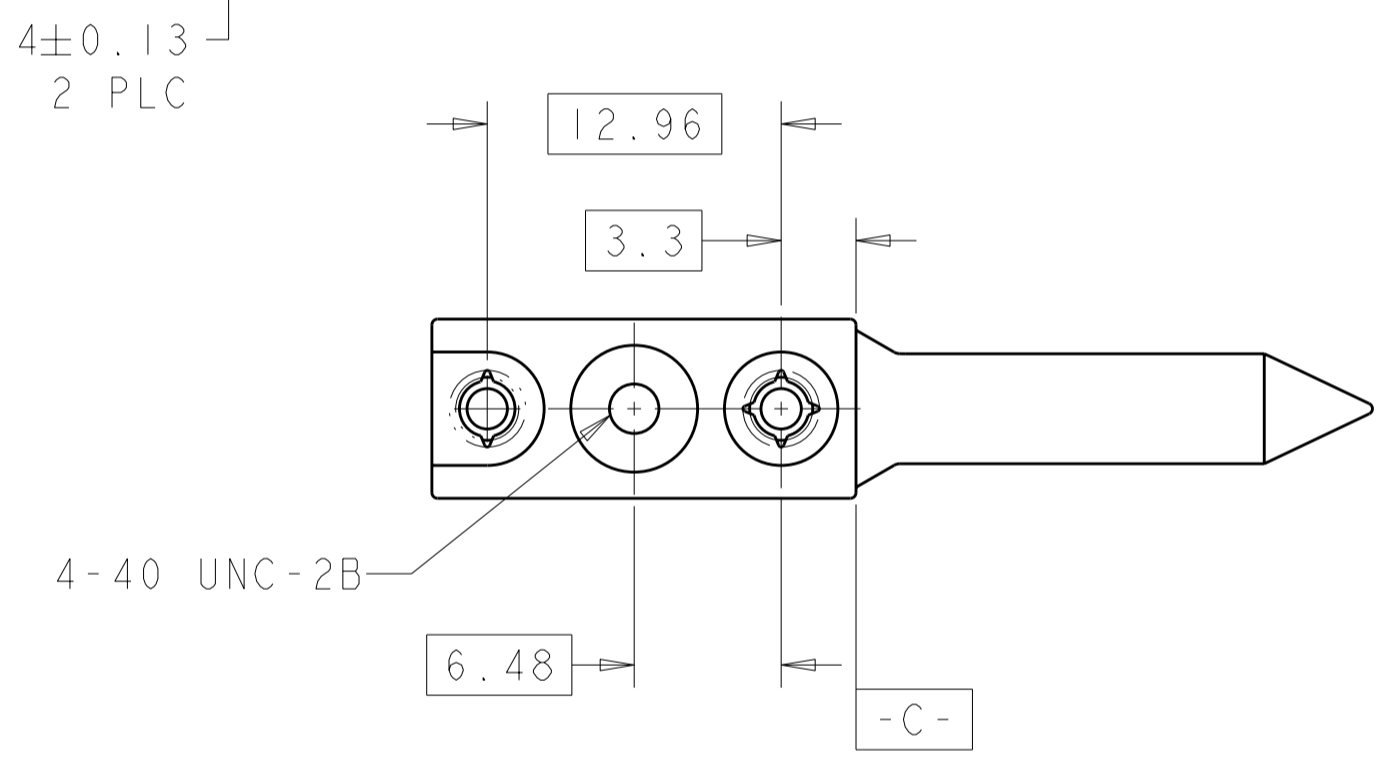


THIS DRAWING IS UNPUBLISHED. RELEASED FOR PUBLICATION 20
 © COPYRIGHT 20 BY TYCO ELECTRONICS CORPORATION. ALL RIGHTS RESERVED.

LOC	DIST	REVISIONS					
CG	00	P	LTR	DESCRIPTION	DATE	DWN	APVD
			O	RELEASED	31AUG2006	BC	RP
			O1	REV PER ECO-06-024628	12JAN2007	BC	RP
			A	REVISED PER ECO-08-023662	17NOV2008	DH	RP
			A1	REVISED PER ECO-10-016204	09AUG2010	DH	DY



- 1 MATERIAL: ZINC ALLOY DIE CAST, ZAMAK 3.
- 2 FINISH: CHROMATE CONVERSION COATING. ROHS COMPLIANT.
- 3 DASH NUMBER SHOWN THIS LOCATION.
- 4. USED WITH PART NUMBER 223986-X.



1469265-2 AS SHOWN

N/A (ROUND)	1469265-9
315°	1469265-8
270°	1469265-7
225°	1469265-6
180°	1469265-5
135°	1469265-4
90°	1469265-3
45°	1469265-2
0°	1469265-1
DIM A	PART NUMBER

THIS DRAWING IS A CONTROLLED DOCUMENT FOR TYCO ELECTRONICS CORPORATION. IT IS SUBJECT TO CHANGE AND THE CONTROLLING ENGINEERING ORGANIZATION SHOULD BE CONTACTED FOR THE LATEST REVISION.		DWN 25OCT2002 D. SZCZESNY CHK 31AUG2006 R. PATERSON APVD 31AUG2006 R. PATERSON	tyco Tyco Electronics Harrisburg, PA 17105-3608
DIMENSIONS: mm	TOLERANCES UNLESS OTHERWISE SPECIFIED: 0 PLC ± 1 PLC ±0.5 2 PLC ±0.13 3 PLC ±0.013 4 PLC ±0.0001 ANGLES ±	PRODUCT SPEC APPLICATION SPEC WEIGHT	NAME UNIVERSAL POWER MODULE RIGHT ANGLE MALE GUIDE PIN, KEYED
MATERIAL 1	FINISH 2	CUSTOMER DRAWING	SIZE A2 CAGE CODE 00779 DRAWING NO. 1469265 RESTRICTED TO SCALE 3:1 SHEET 1 OF 1 REV A1

X-ON Electronics

Largest Supplier of Electrical and Electronic Components

Click to view similar products for [Power to the Board](#) category:

Click to view products by [TE Connectivity](#) manufacturer:

Other Similar products are found below :

[6450171-4](#) [6450552-7](#) [6600323-8](#) [6643429-1](#) [6646040-2](#) [6651939-1](#) [6766604-1](#) [120959-1](#) [1393557-2](#) [1393532-2](#) [1393532-3](#) [1393532-4](#)
[1393557-1](#) [1600812-5](#) [1-6450861-2](#) [1744132-7](#) [1761122-1](#) [1766250-1](#) [1892109-1](#) [2-6450860-5](#) [2-6450870-0](#) [1-6450161-4](#) [1-6450850-6](#) [1-6450869-6](#) [1645526-2](#) [1-6600130-0](#) [2005243-2](#) [377-0020-11130](#) [TE34-12-16P-F0](#) [5-6450830-6](#) [5646956-4](#) [377-0080-11131A](#) [4-6450830-9](#)
[4-6600333-3](#) [10125416-4050LF](#) [6600320-3](#) [3-6450860-5](#) [1888123-2](#) [6450166-1](#) [6643978-1](#) [6766605-1](#) [701-15-02109](#) [N11444](#) [6651938-1](#)
[6450810-7](#) [46437-1112](#) [1-1589677-8](#) [5646956-5](#) [6450813-2](#) [6450129-4](#)